

# **ALLEN&HEATH**

## **Parts identification sheet**

# **GL3800**

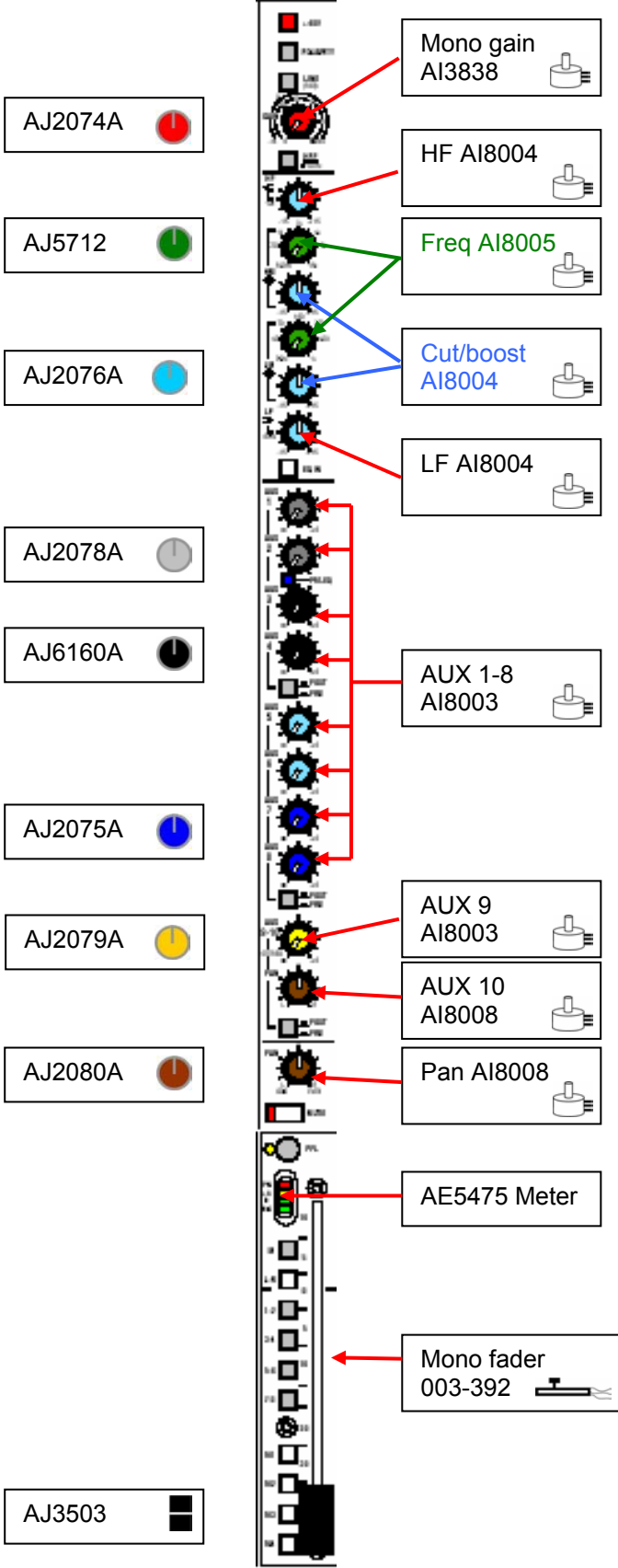
### **How to order parts**

Parts must be ordered from our distributor in your territory. A list of international distributors can be viewed at <http://www.allen-heath.com/UK/distributors.asp>

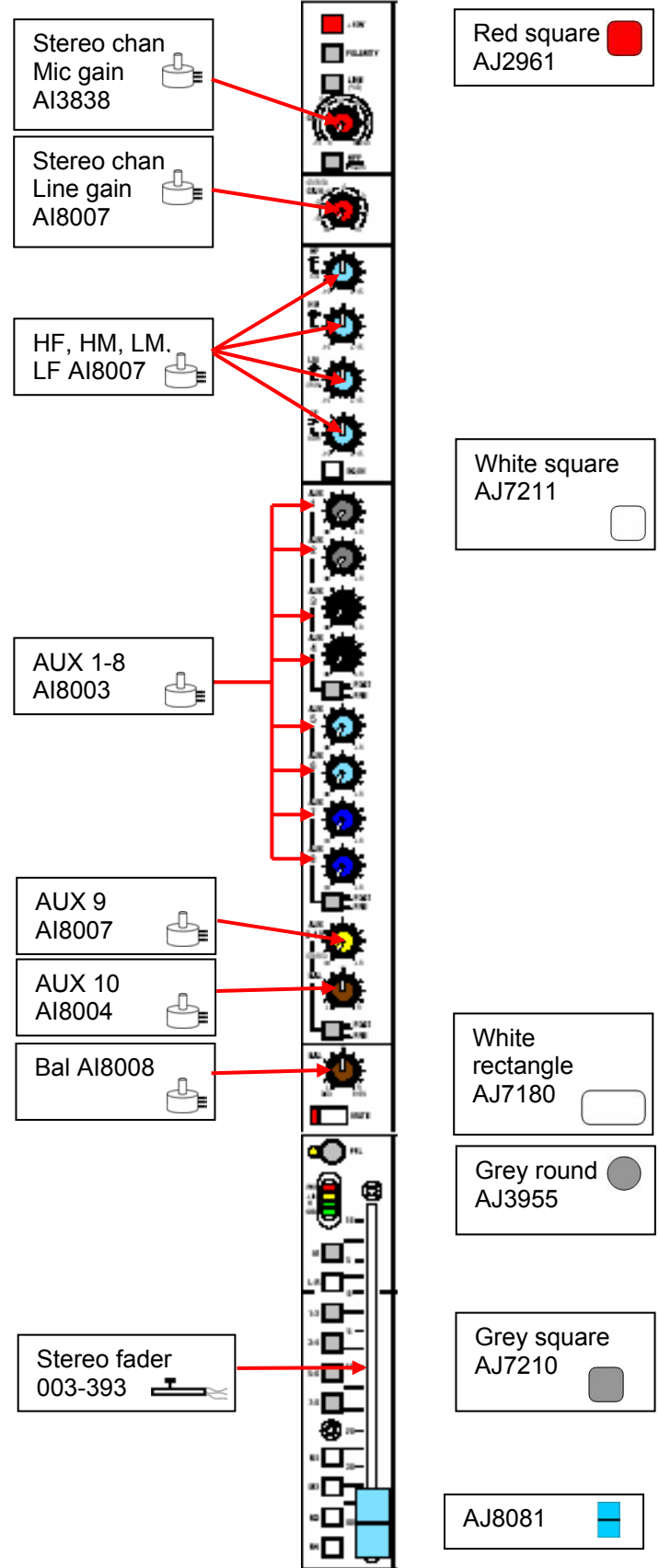
UK parts must be ordered through an appointed A&H dealer or service centre. A list of UK service centres can be viewed at [http://www.allen-heath.com/UK/service\\_centres.asp](http://www.allen-heath.com/UK/service_centres.asp)

**POTS FADERS & KNOBS:**

**MONO I/P CHANNEL**

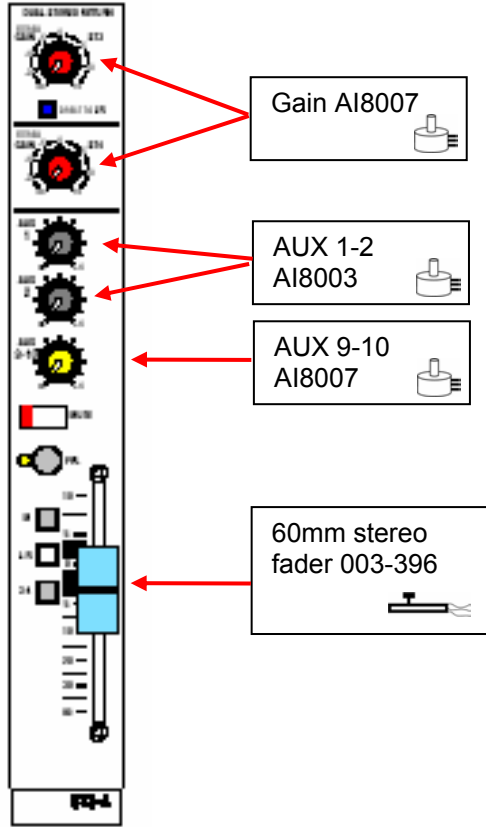


**STEREO I/P CHANNEL**



**GROUP / STEREO RETURN**

**GROUP / MATRIX**



Gain AI8007

AUX 1-2 AI8003

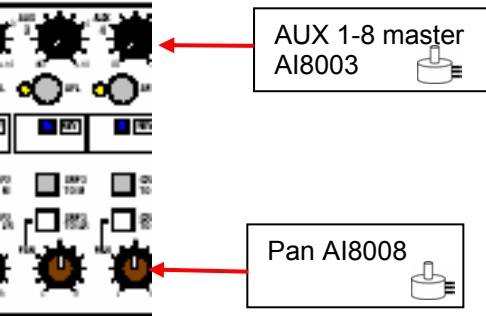
AUX 9-10 AI8007

60mm stereo fader 003-396



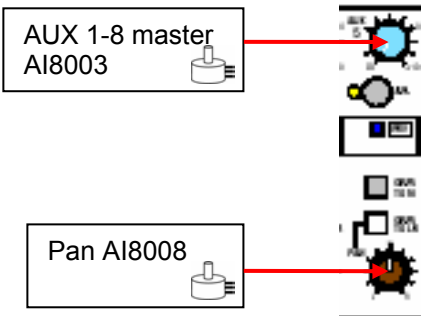
GRP 1-8. L, R, M AI8003

Level AI8003



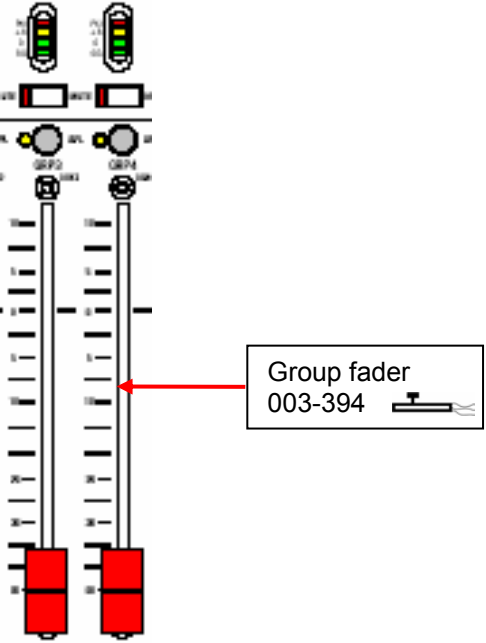
AUX 1-8 master AI8003

Pan AI8008



AUX 1-8 master AI8003

Pan AI8008

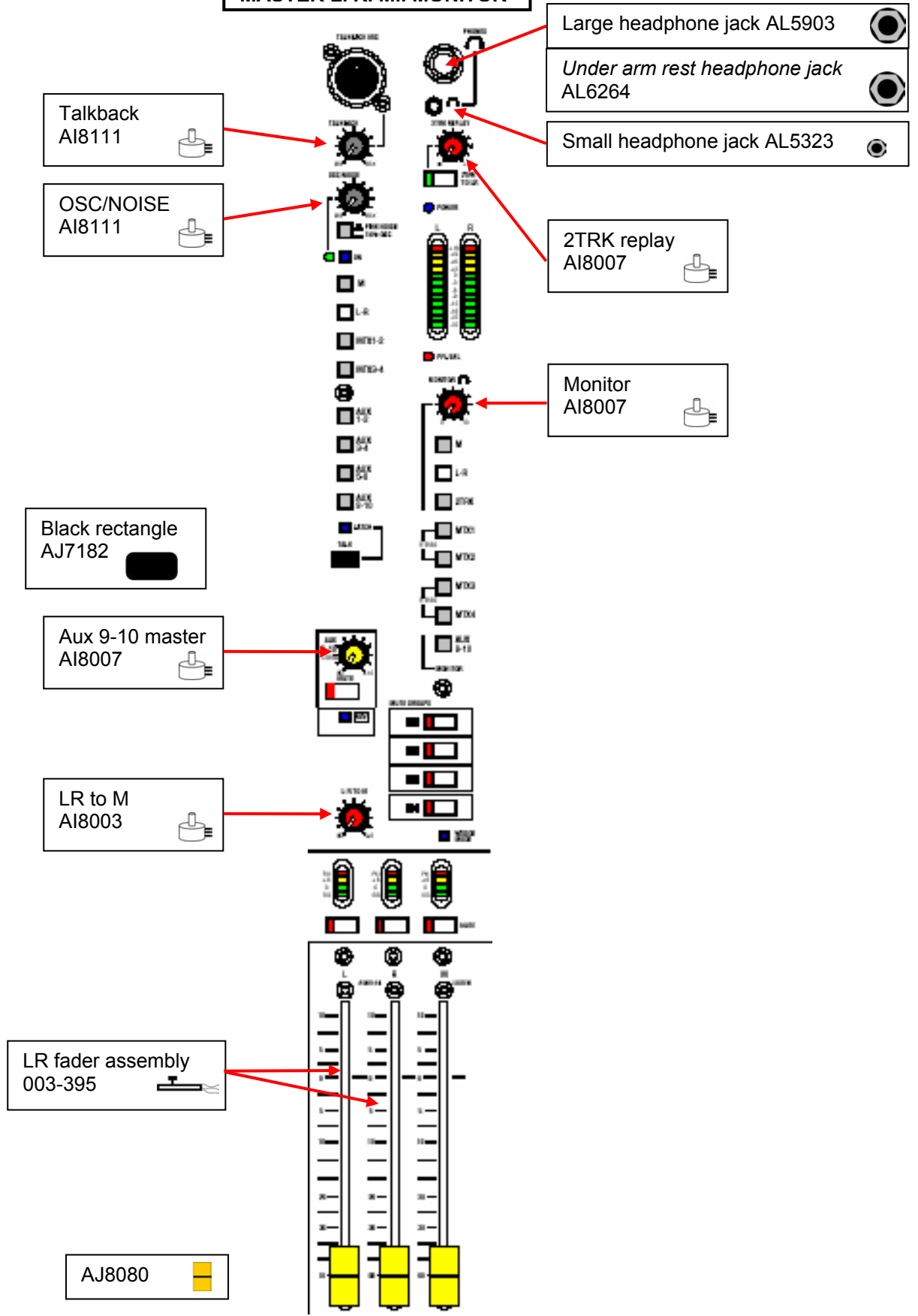


Group fader 003-394

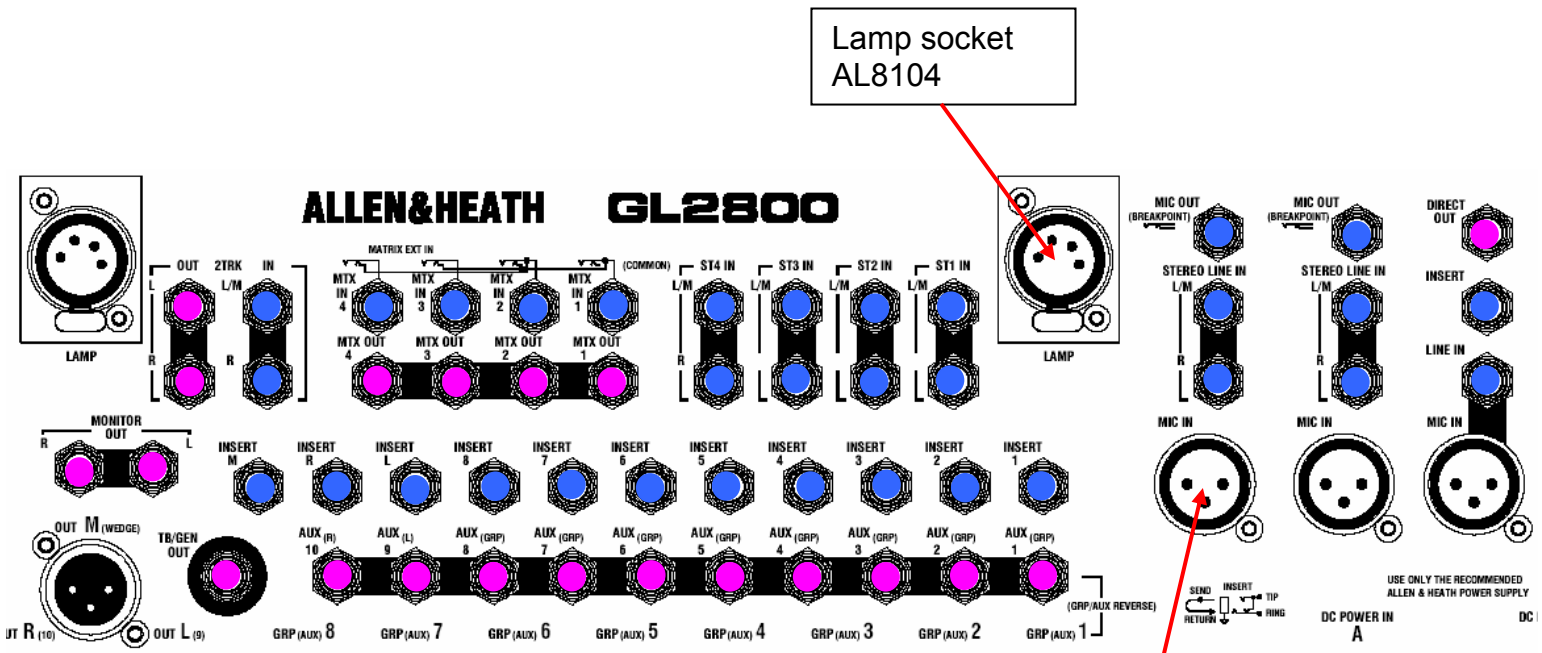


AJ8079

**MASTER L. R. M.. MONITOR**



# ALLEN&HEATH GL2800



Lamp socket  
AL8104

XLR female  
AL2410

XLR female  
AL2410

DC socket  
AL8100

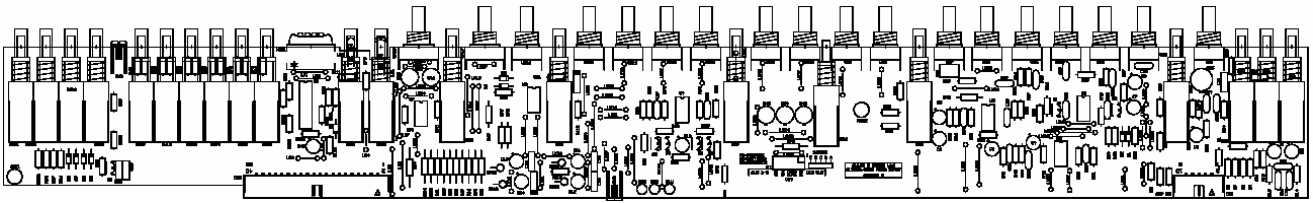
AL3410 ●

Mono channel Insert  
 Mono channel Line IN  
 Stereo channel Line IN L/M, R  
 Stereo channel Mic OUT  
 GRP 1-8 Insert  
 L, R, M, Insert  
 MTX IN 1-4  
 2TRK IN L/M, R

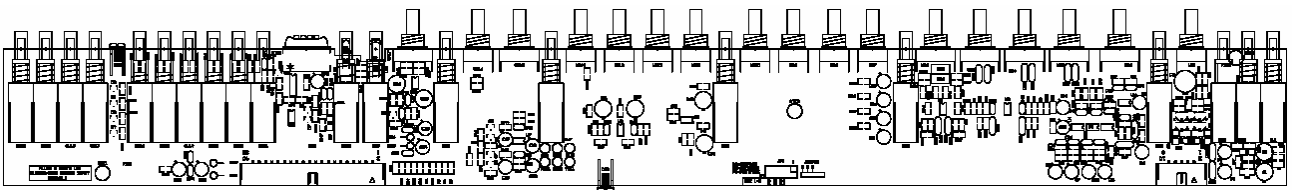
AL3407 ●

Mono channel Direct OUT  
 AUX (GRP) Outputs 1-8  
 MTX OUT 1-4  
 2TRK OUT L, R  
 Monitor OUT L, R  
 TB/GEN OUT

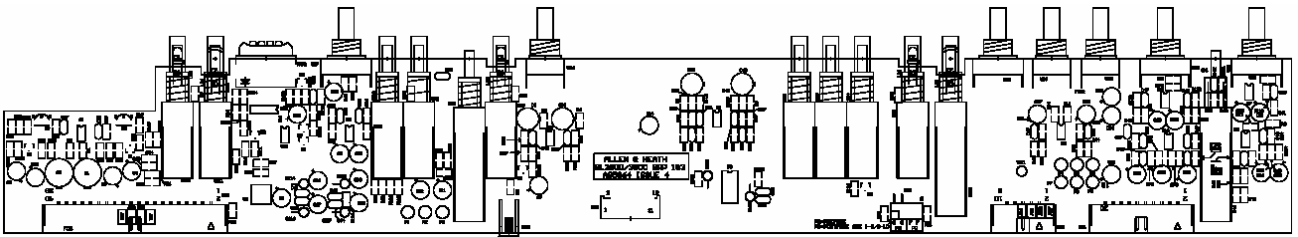
**INTERIOR PARTS:**



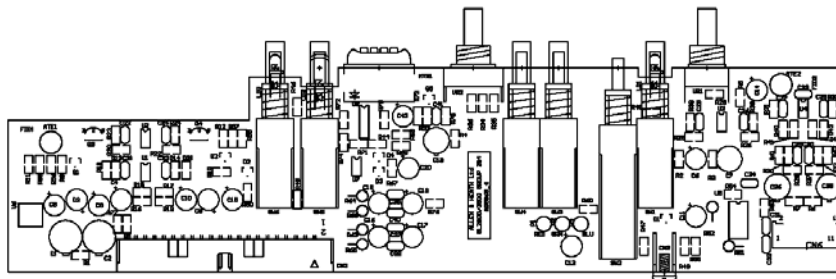
Mono i/p 003-437



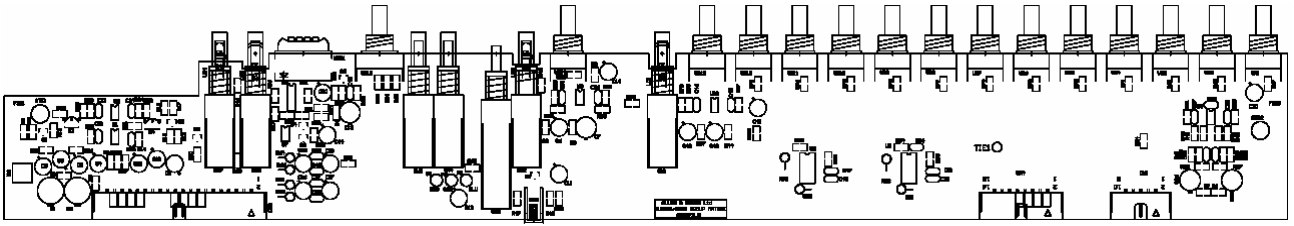
Stereo i/p 003-438



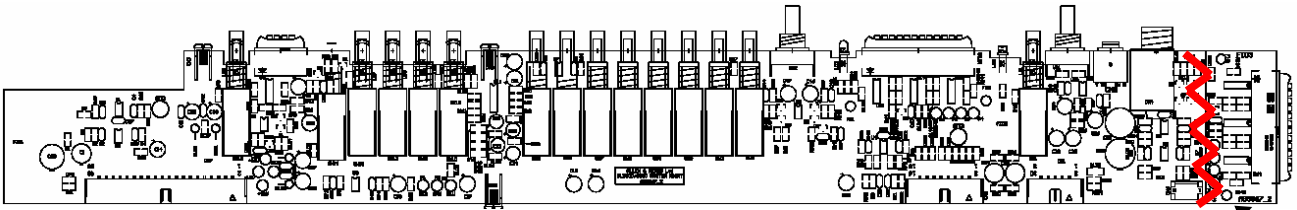
Group odd 003-439



Group even 003-440

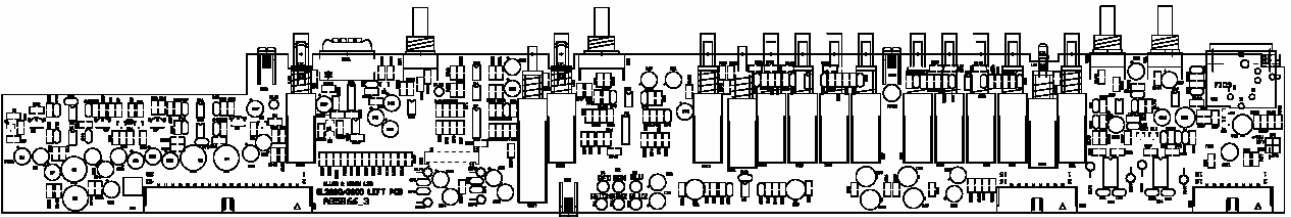


Group matrix 003-441

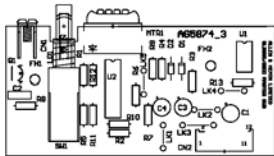


Master right 003-443

Meter break-off



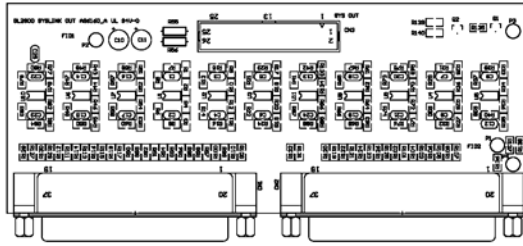
Master left 003-442



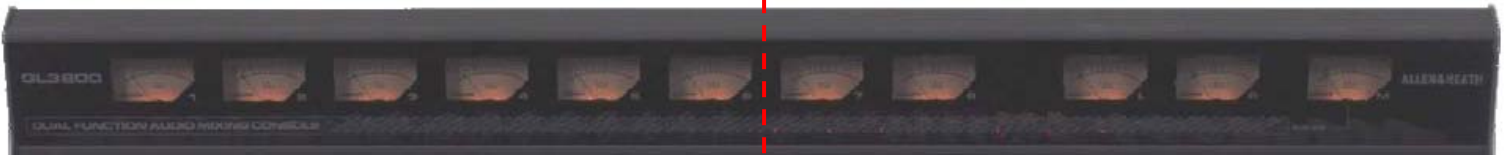
Master sub PCB 003-356







Sys-link OUT 003-473



Meters1-6 003-421

Meters7, 8, L, R, M 003-455

# Harnesses on next sheet

PDF only

