

# **ALLEN&HEATH**

## **Parts identification sheet**

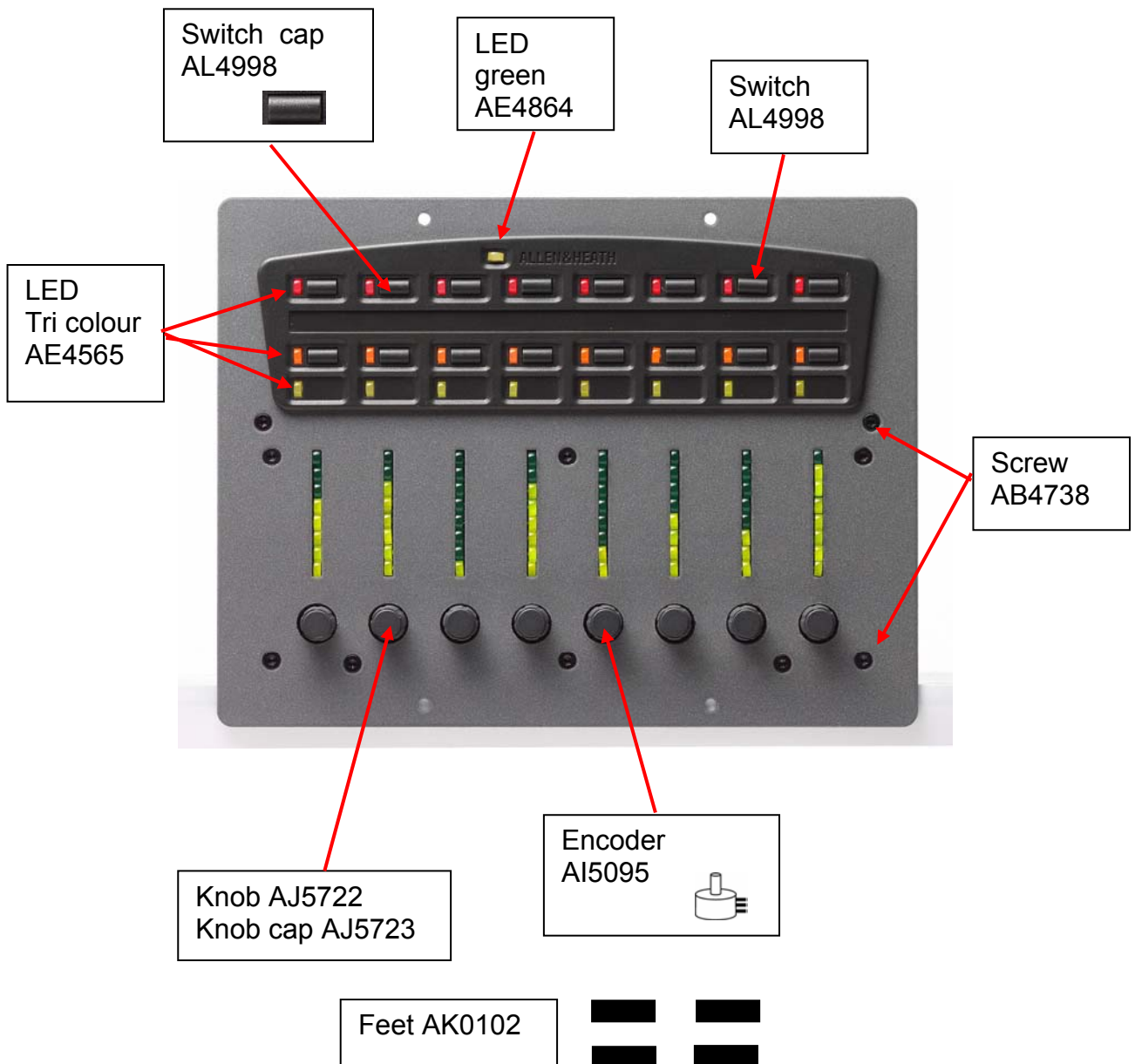
**PL-10**

### **How to order parts**

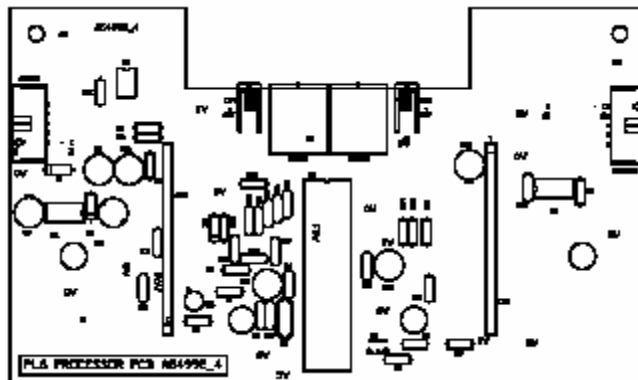
Parts must be ordered from our distributor in your territory. A list of international distributors can be viewed at <http://www.allen-heath.com/UK/distributors.asp>

UK parts must be ordered through an appointed A&H dealer or service centre. A list of UK service centres can be viewed at [http://www.allen-heath.com/UK/service\\_centres.asp](http://www.allen-heath.com/UK/service_centres.asp)

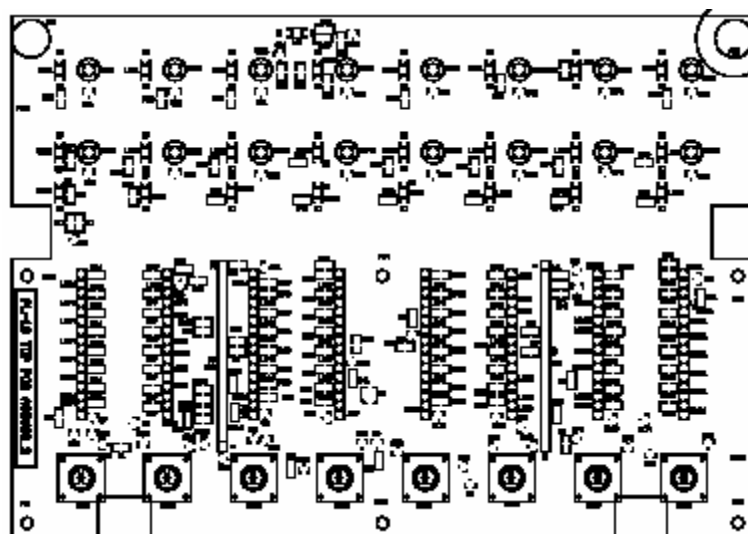
**EXTERIOR PARTS**



**INTERIOR PARTS**



Processor PCB  
003-248JIT



Top panel PCB  
003-249JIT