

ALLEN&HEATH

Parts identification sheet

Xone:32

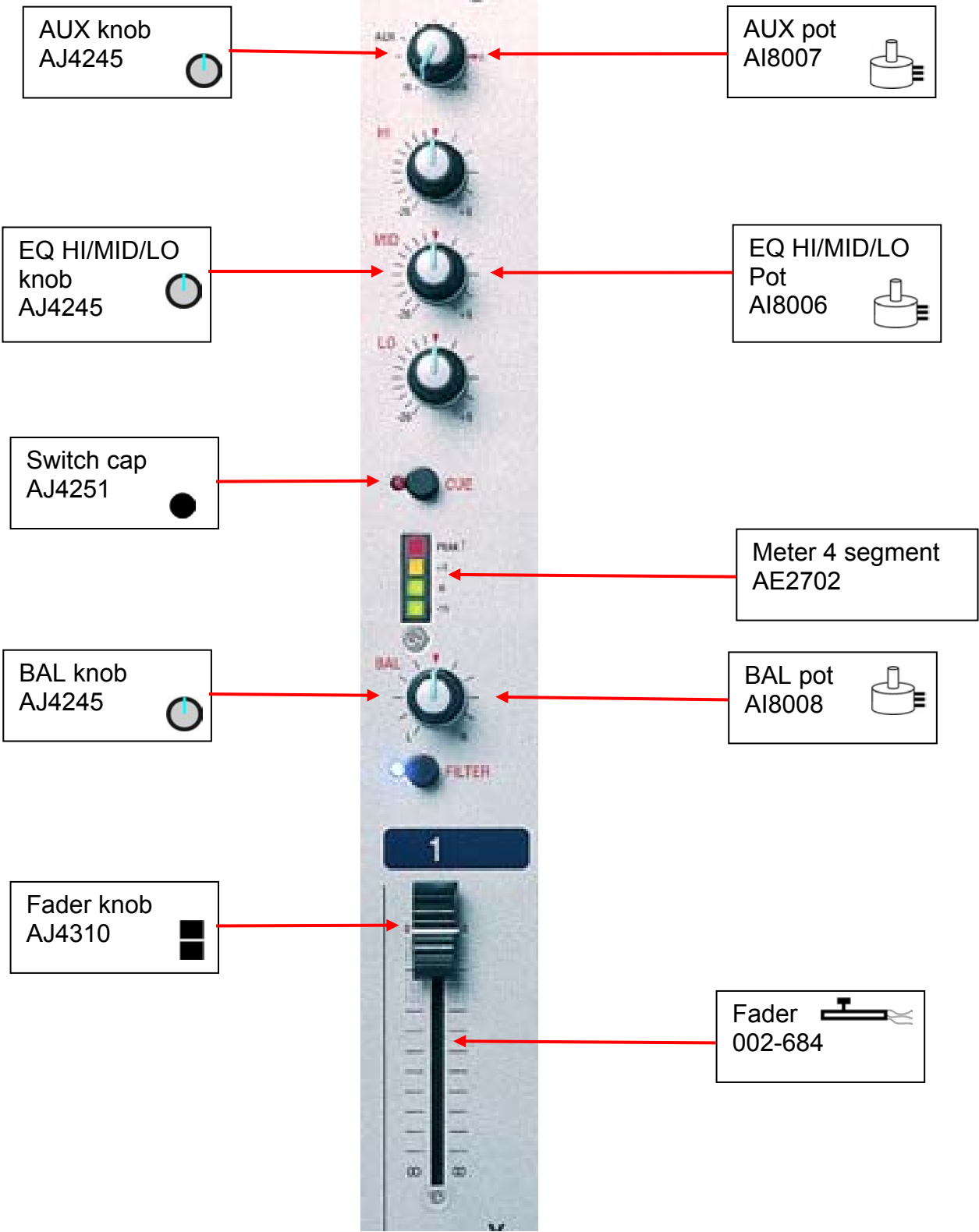
How to order parts

Parts must be ordered from our distributor in your territory. A list of international distributors can be viewed at <http://www.allen-heath.com/UK/distributors.asp>

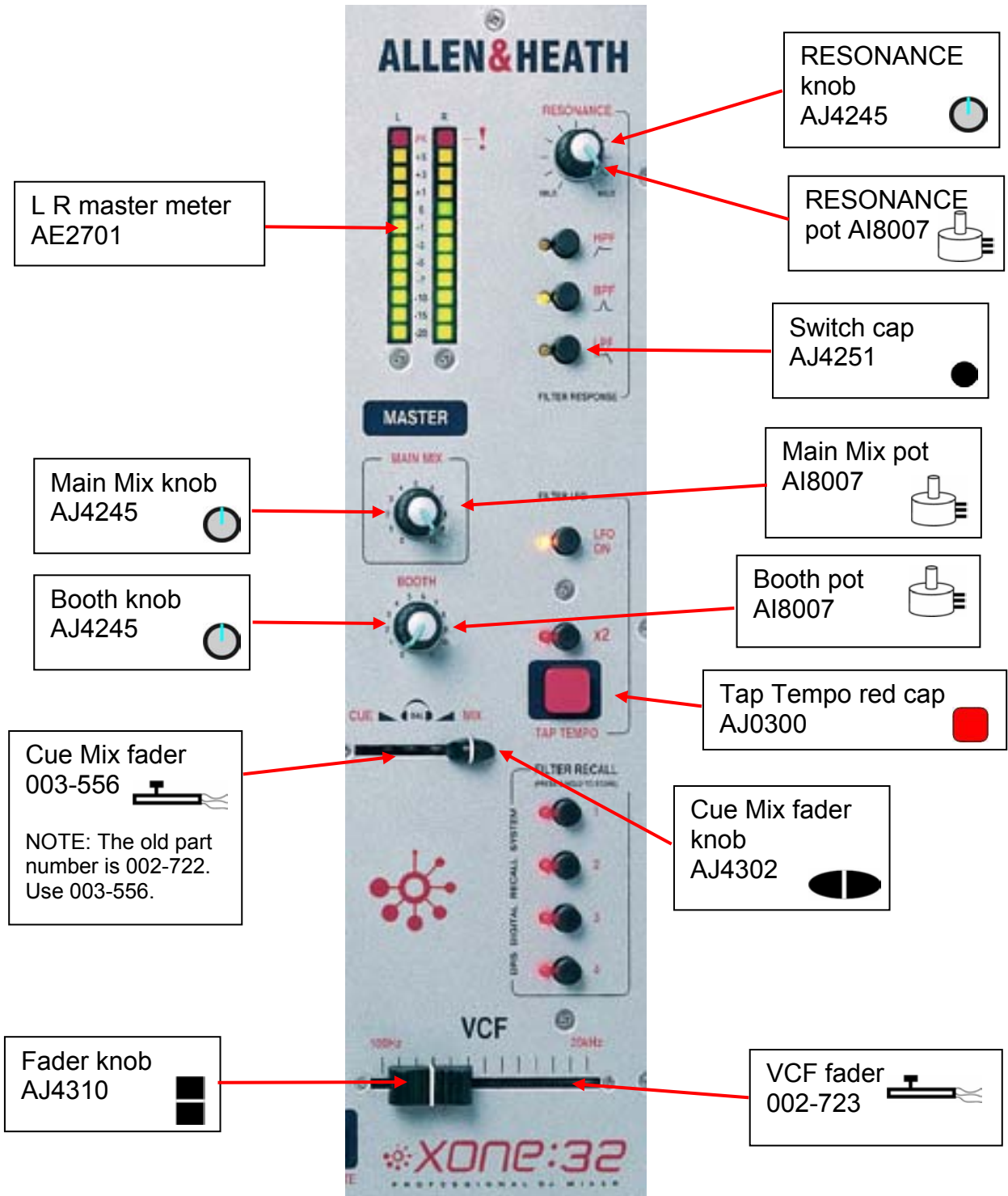
UK parts must be ordered through an appointed A&H dealer or service centre. A list of UK service centres can be viewed at http://www.allen-heath.com/UK/service_centres.asp

EXTERIOR PARTS:

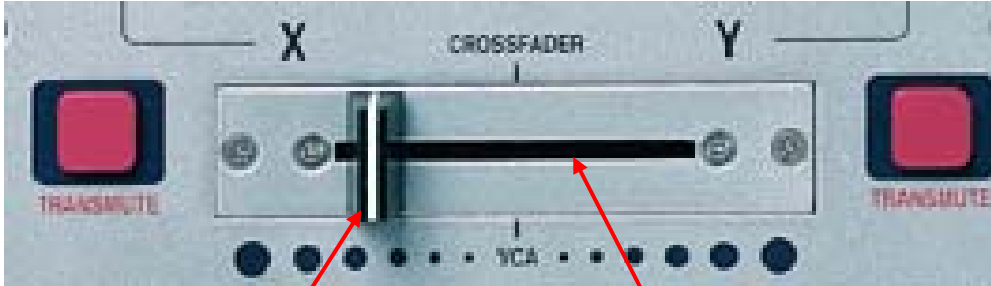
STEREO INPUT CHANNEL



MASTER SECTION



CROSS FADER / TRANSMUTE



xfader knob XONE
AJ5320

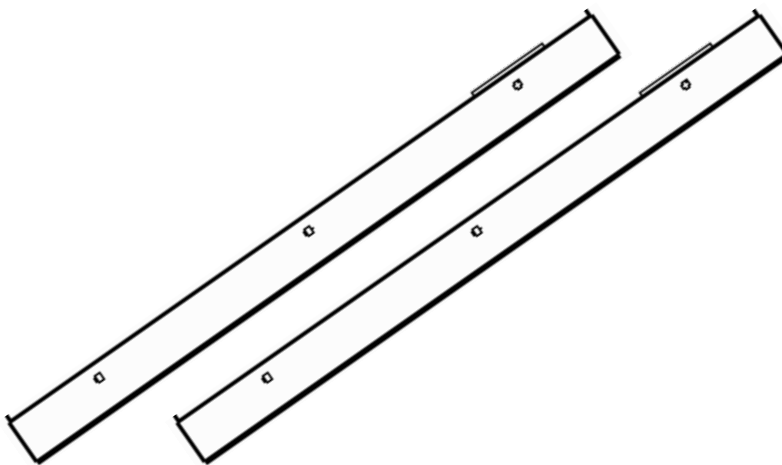
X fader assembly



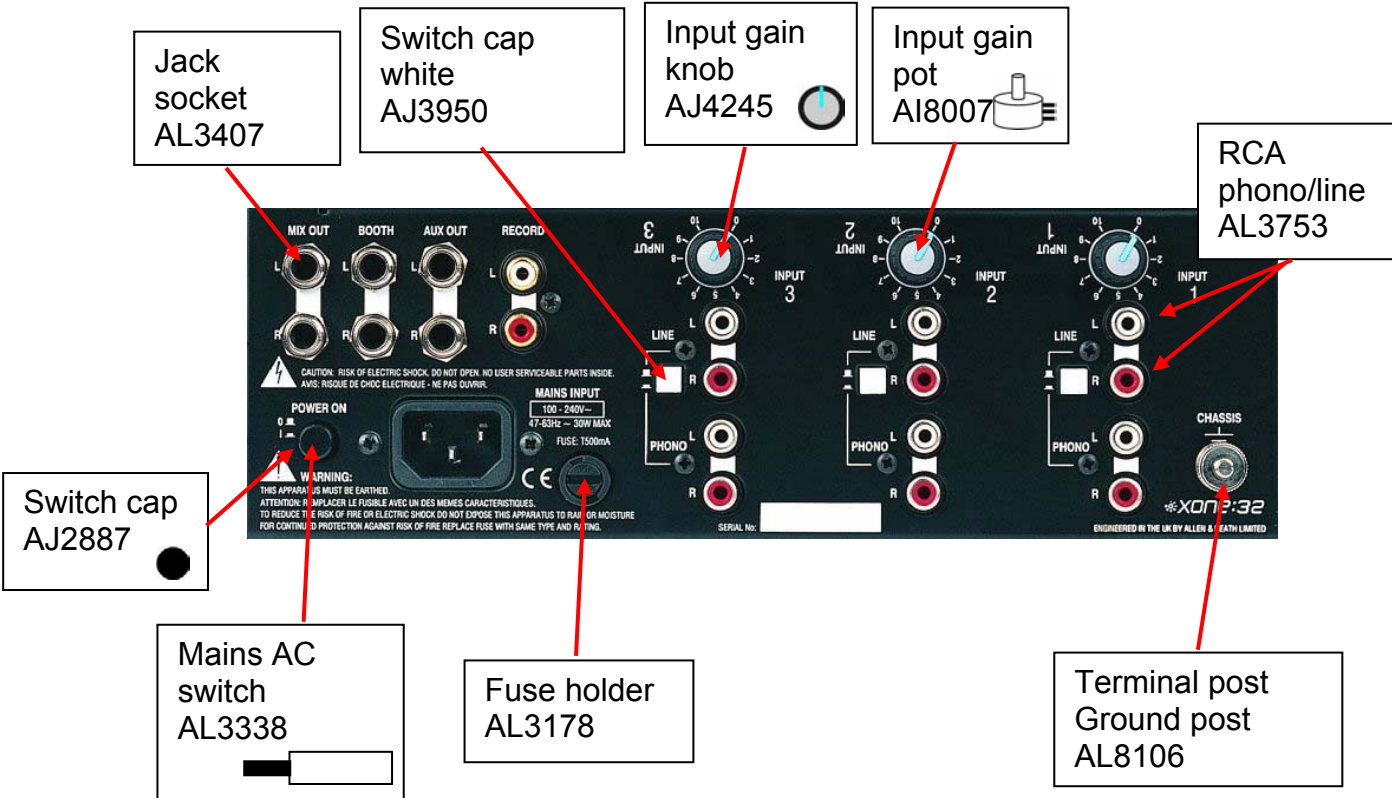
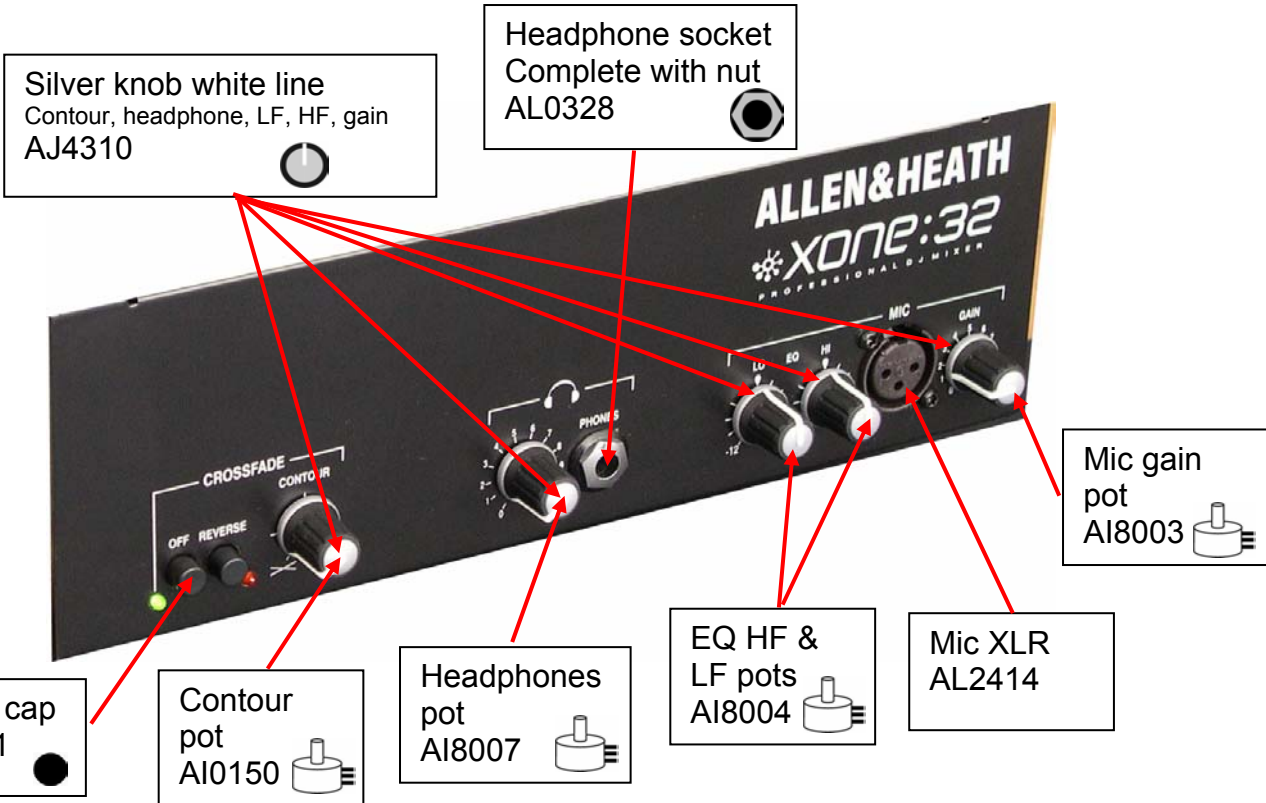
Alpha 002-784

P&G 002-719

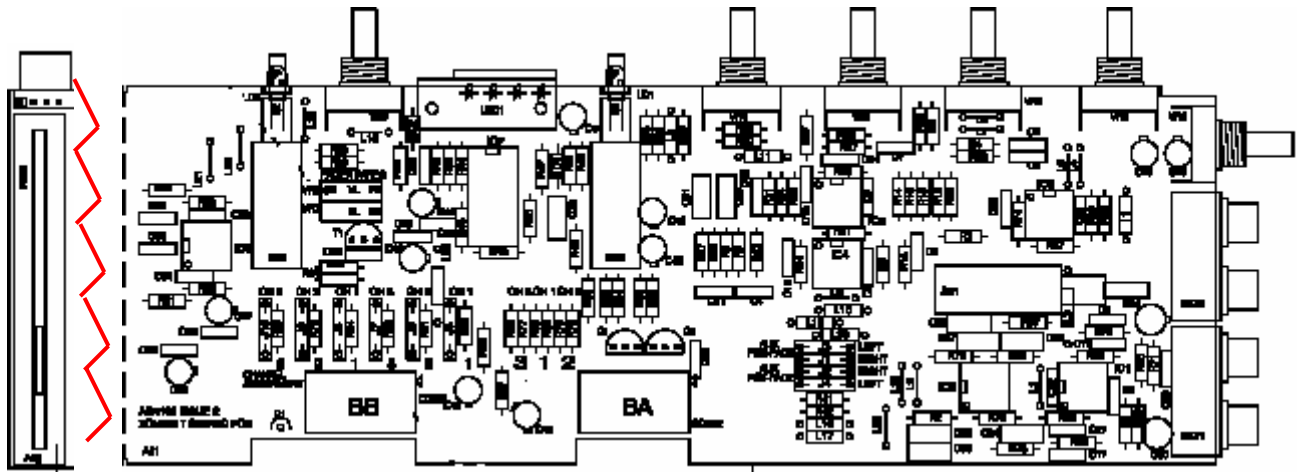
RACK MOUNT EARS



XONE:32-RK

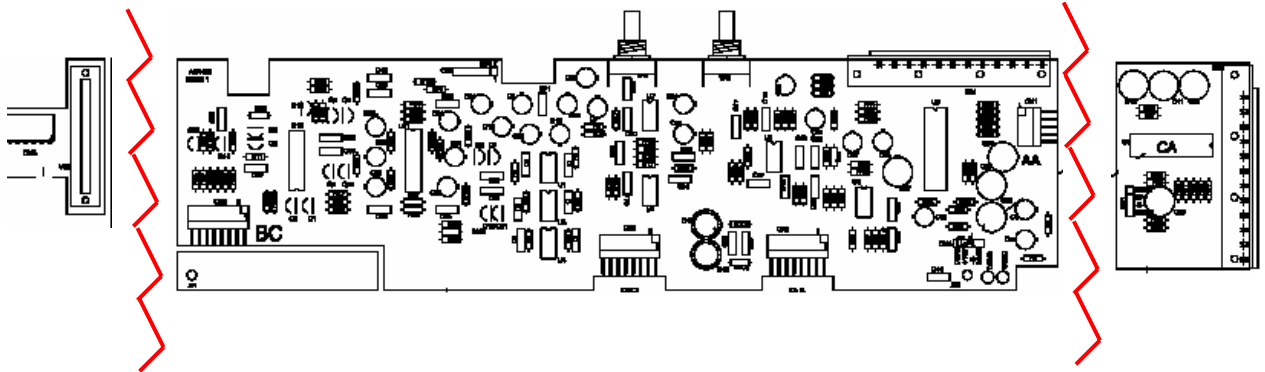


INTERIOR PARTS:



Channel fader PCB
is a snap off

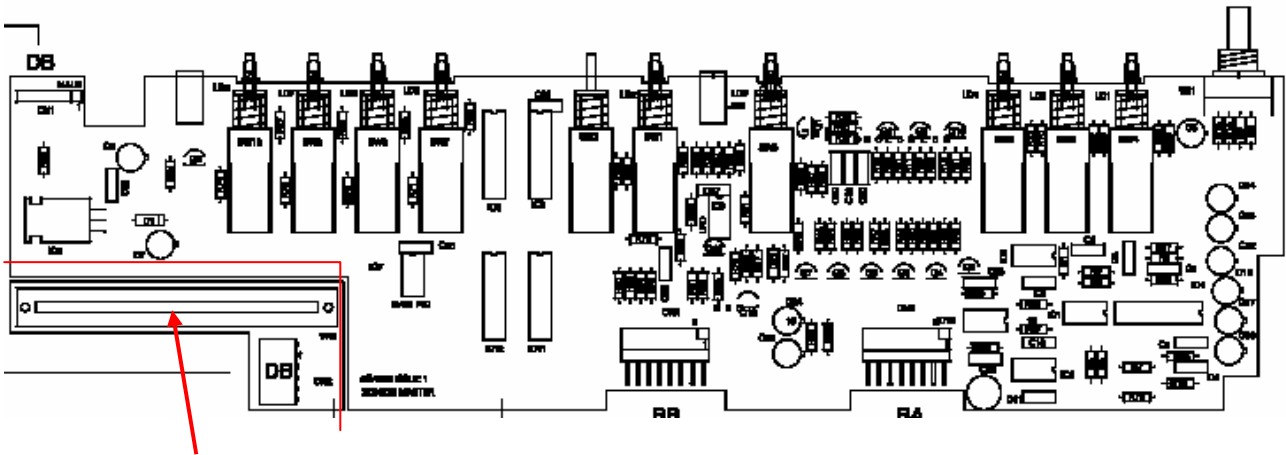
Stereo input / channel fader
 Channel 1 002- 679
 Channel 2 002- 680
 Channel 3 002- 704



Cue-Mix PCB is a
snap off

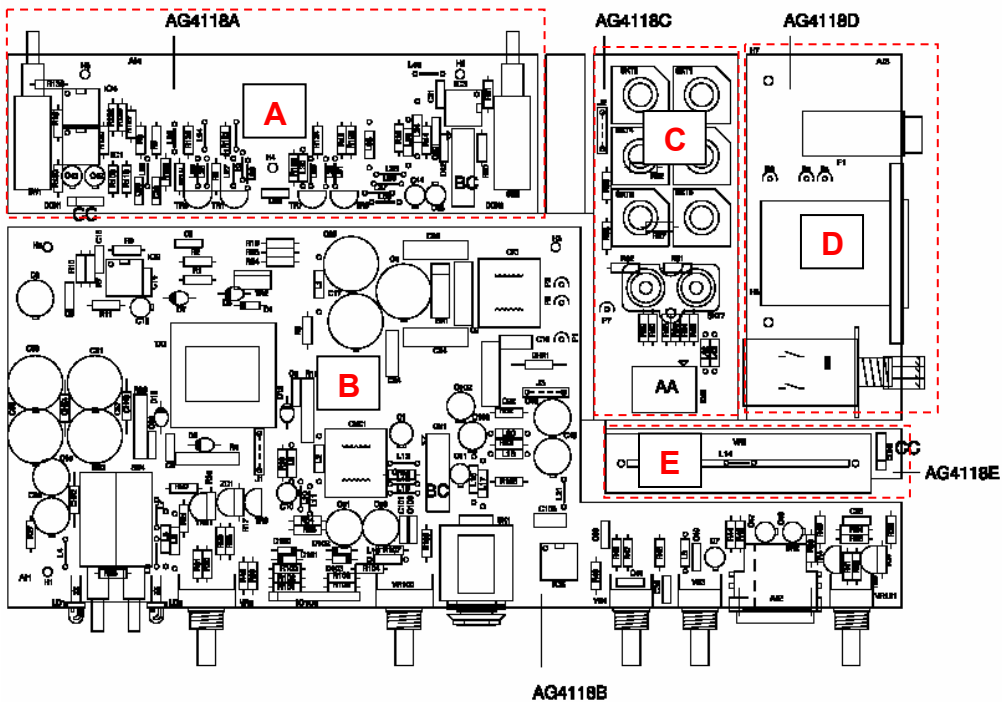
Master Left / Cue-Mix / Right meter
002-678

Right meter PCB is
a snap off



VCF PCB is a snap off

MASTER / VCF 002-677



X-fader / PSU 002-682
Contains

Transmute A
PSU B
Main connectors C
AC mains socket and switch D
X-fader E

Harnesses:

