

# **ALLEN&HEATH**

## **Parts identification sheet**

# **XONE2:62**

### **How to order parts**

Parts must be ordered from our distributor in your territory. A list of international distributors can be viewed at <http://www.allen-heath.com/UK/distributors.asp>

UK parts must be ordered through an appointed A&H dealer or service centre. A list of UK service centres can be viewed at [http://www.allen-heath.com/UK/service\\_centres.asp](http://www.allen-heath.com/UK/service_centres.asp)

**EXTERIOR PARTS:**

**MIC channel**

PRE switch cap  
AJ2052

MIC Line switch  
cap AJ2969

Silver / blue line  
knob AJ4245

EQ switch cap  
AJ4251

Channel meter  
AE2702

Fader screw  
AB3821

Fader knob  
AJ4310

Pot nut  
AB8172

AUX pot  
AI8007

GAIN pot  
AI8006

HI, MID1, MID2,  
LO pot  
AI8006

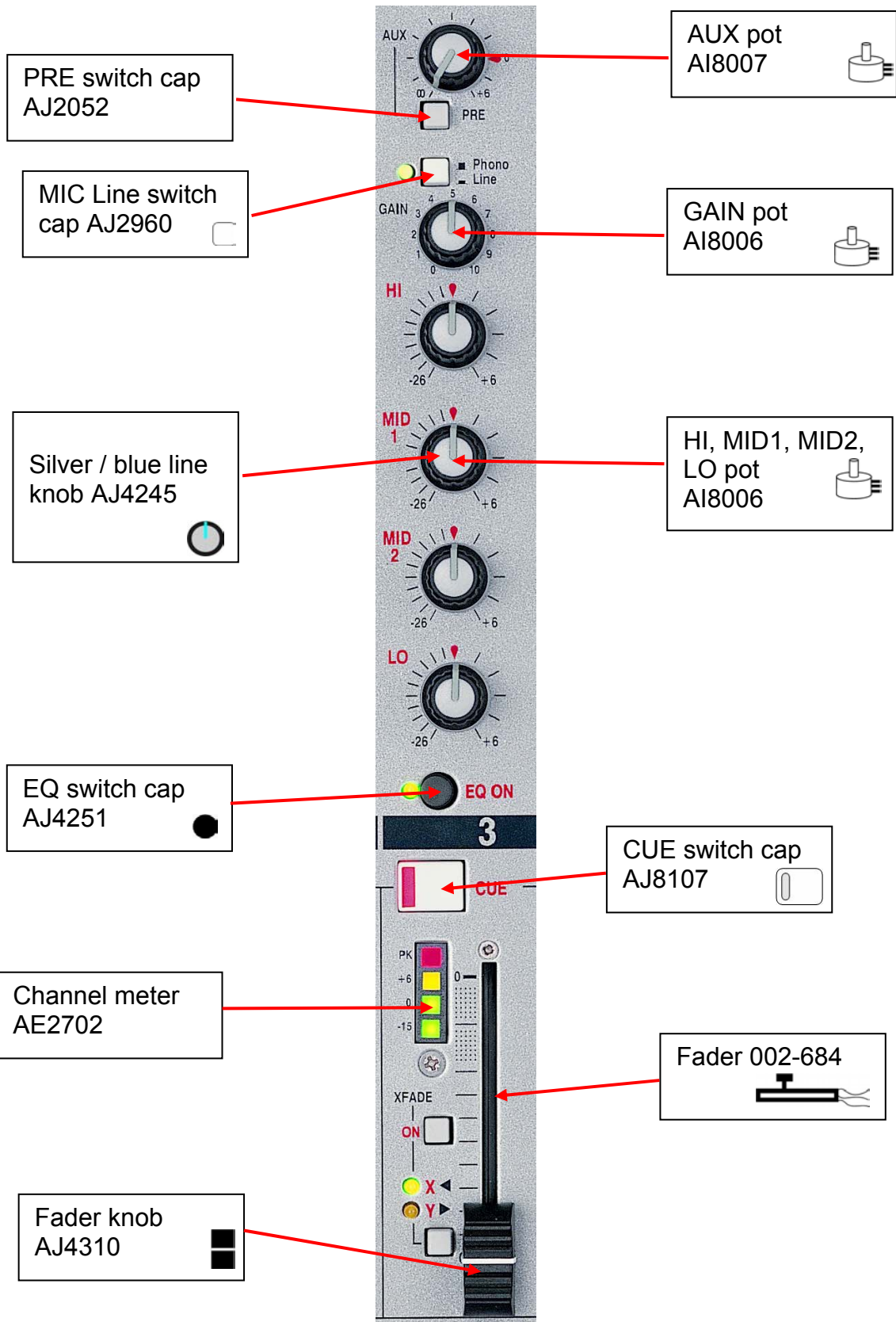
CUE switch cap  
AJ8107

Fader screw  
AB3818

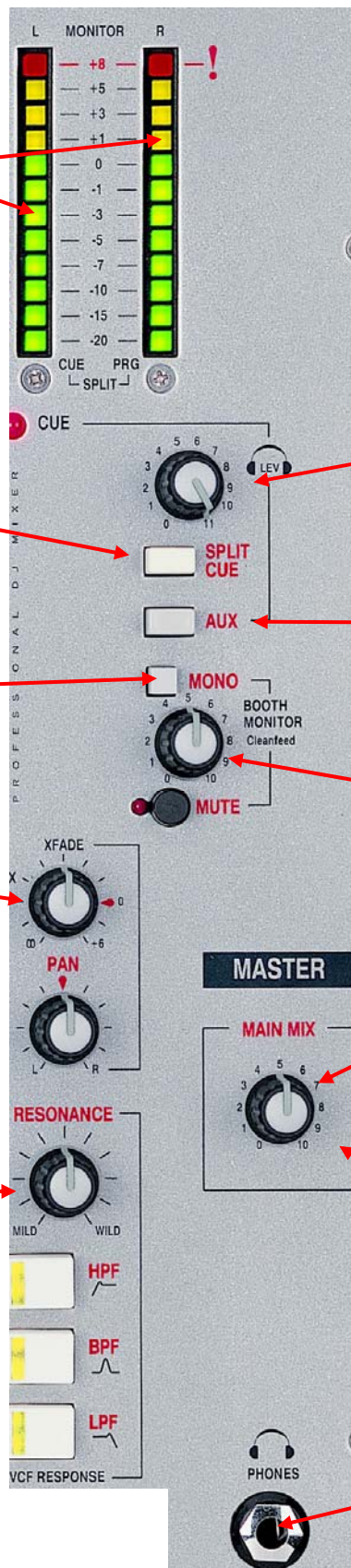
Fader  
002-684



**MUSIC channel**



**MASTER & filters**



Main meter  
AE2701

SPLIT CUE  
switch cap  
AJ2962

MONO switch  
cap AJ2052

RESONANCE  
pot  
AI8007

RESONANCE  
pot  
AI8008

RESONANCE  
pot  
AI8008

Headphone pot  
AI8007

AUX switch cap  
AJ2865

Booth pot  
AI8007

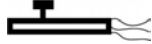
Master pot  
AI8007

Silver / blue line  
knob AJ4245

Headphone socket  
AL0328

**Cross fader & VCF**

**ALPS** cross fader  
002-718



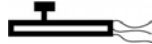
VCF filter pot  
AI8003



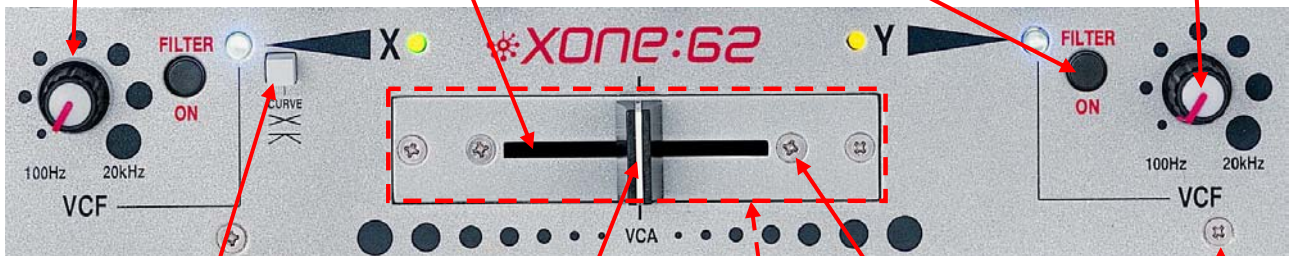
VCF filter knob  
AJ4246



**P&G** cross fader  
002-719



FILTER switch cap  
AJ4251



CURVE switch  
cap AJ2052



Cross fader knob  
**XONE**  
AJ5320



Xfader mounting  
screw  
AB3820

Fader plate  
AA4231

Fron panel  
screw  
AB3819

# Connectors

FX, Aux,  
Mono jacks  
AL3407

RCA phono /  
line  
AL3753

Ground  
terminal post  
AL8106



Mains switch  
cap  
AJ2887

Fuse holder  
AL3178

Output XLR  
AL2413

Mic input  
XLR  
AL2410

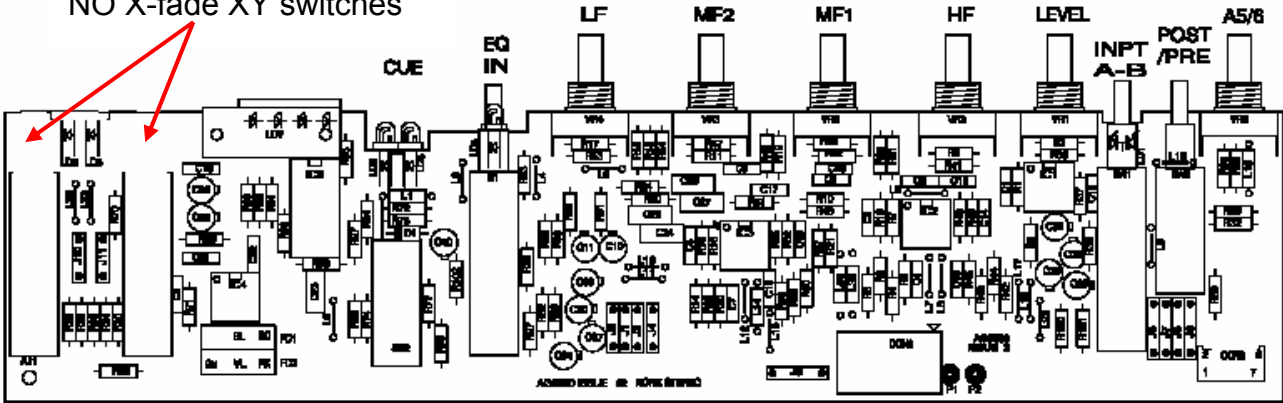
Line input  
jack  
AL3410

Feet  
AK0102

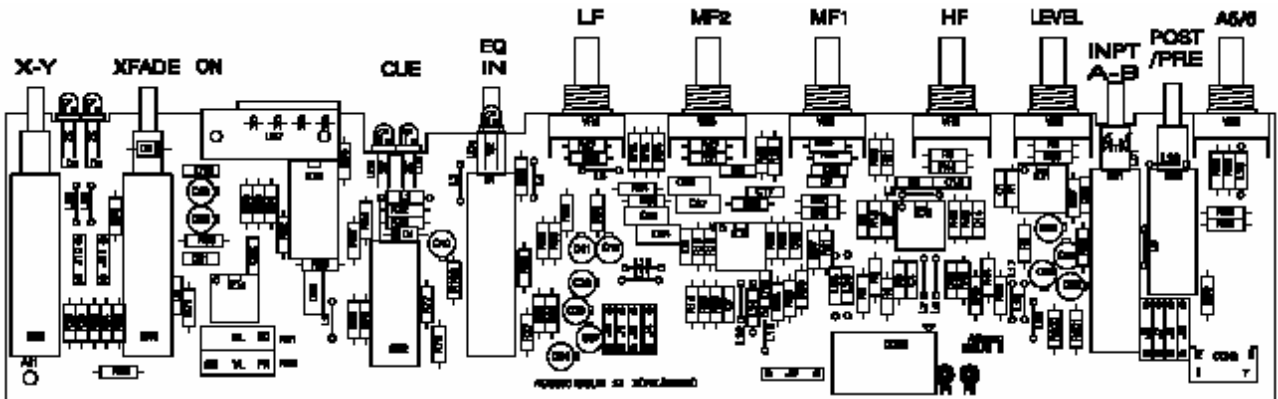
Mains switch  
AL3338

**INTERIOR PARTS:**

Same as MUSIC  
channels 3, 4, 5, 6 but  
NO X-fade XY switches

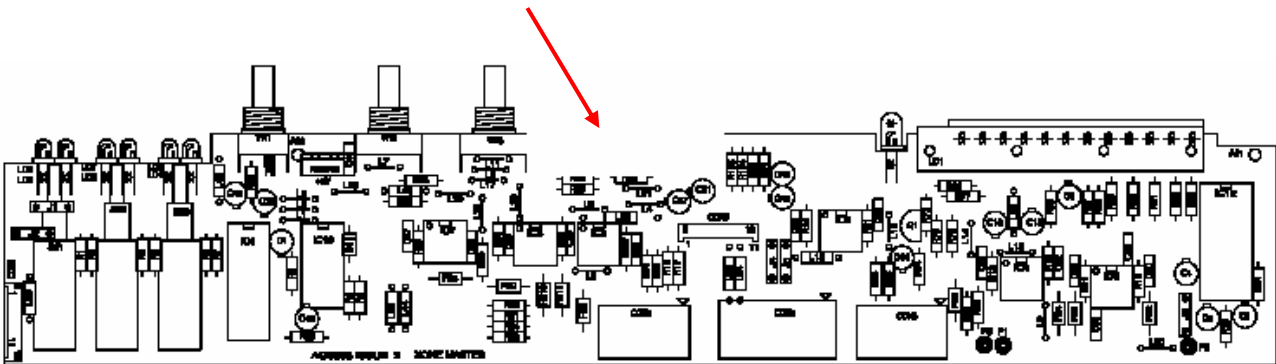


**MIC 1,2 channel 002-685**

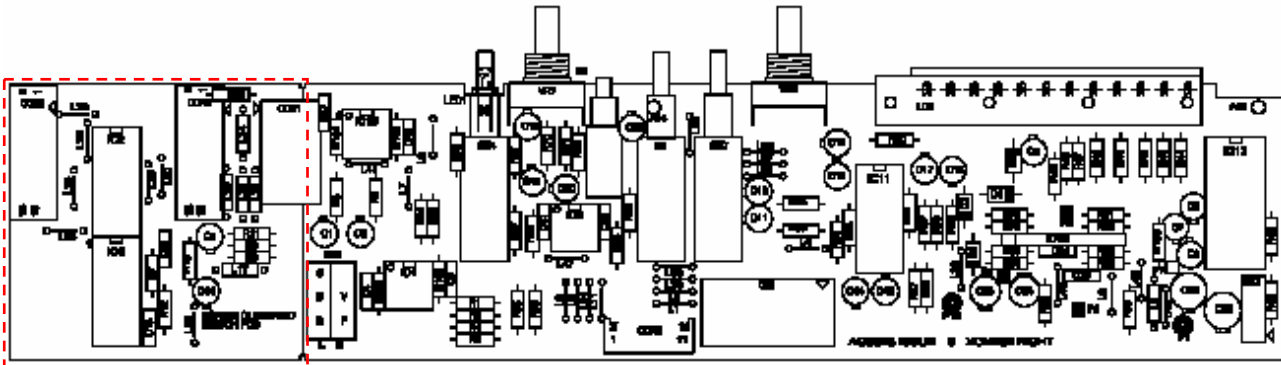


**MUSIC 3, 4, 5, 6 stereo channel 002-686**

Same as Xone:464 but NO  
aux 1-4 pots

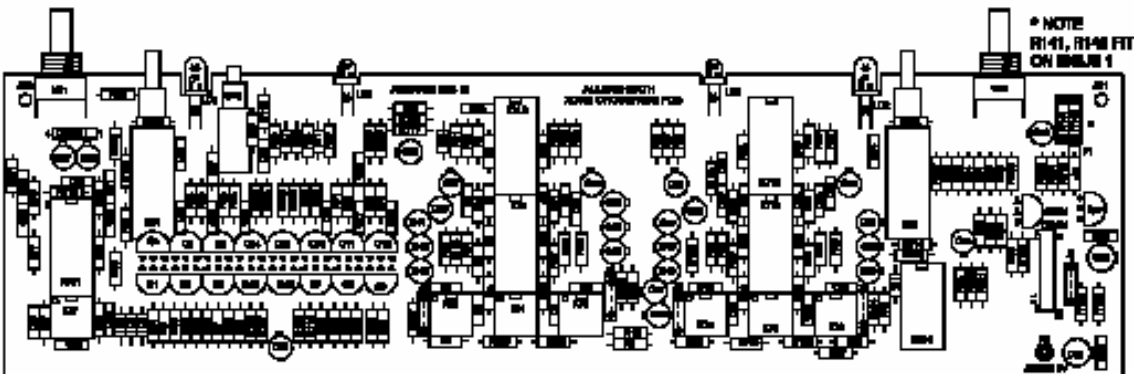


Left 002-525

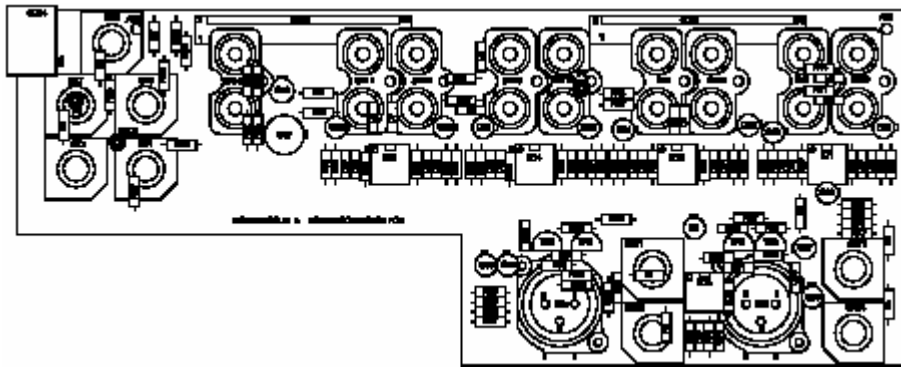


Clean feed

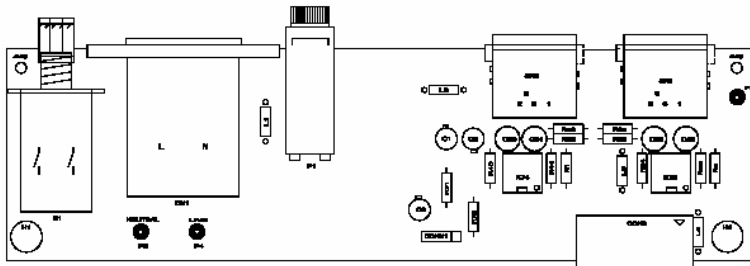
Right & mic clean feed 002-692



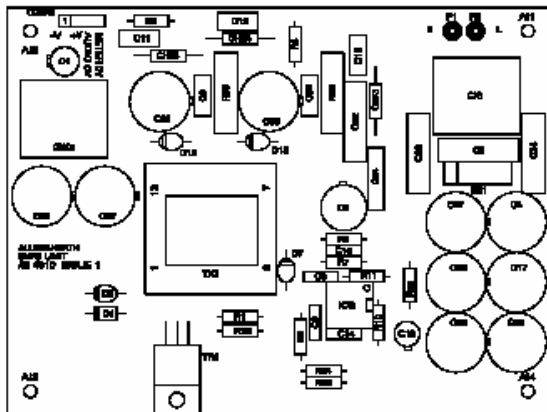
X-fade 002-627



**Rear connector 002-527**



**Mains AC inlet & main output 002-652**



**PSU 002-629**

**HARNESSES:**

