
CONTENTS**iLive SURFACE: SECTION 1 PAGE 4**

- FLIGHT CASE
- METALWORK
- ACRYLICS
- ARM REST
- PSU

MIXRACK: SECTION 2 PAGE 7

1. FLIGHT CASE AN6329
2. RACK
3. SHOCK MOUNT
4. PSU ASSY IDR-64 003-312 (TWO SHOWN)
5. FAN

MODULES AND MODULE PCBs: SECTION 3 PAGE 8

1. I/O SLOTS
 - MODULE ILIVE/IDR64 BLANK 003-574
 - MODULE ILIVE/IDR64 DIGITAL IN 003-307
 - MODULE ILIVE/IDR64 DIGITAL OUT 003-308
 - MODULE ILIVE/IDR64 LINE OUT 003-306
 - MODULE ILIVE/IDR64 MIC IN 003-305
 - MODULE IDR-64 DIG MULTI OUTPUT 003-725
2. MODULE ILIVE RAB 003-347
3. MODULE ILIVE CPU 003-350
4. MODULE IDR-64 CPU 003-311
5. MODULE IDR-64 DSP 003-309
6. MODULE IDR-64 DSP EXTRA (8x FX) 003-801

FADER PCBs: SECTION 4 PAGE 10

1. PCB ASSY ILIVE BANK L 003-320
2. PCB ASSY ILIVE BANK M 003 321
3. PCB ASSY ILIVE BANK R 003-322
4. PCB ASSY ILIVE FADER SLAV 003-323
5. PCB ASSY ILIVE FADER MAST 003-324
6. PCB ASSY ILIVE FADER MOTO 003-494

FRONT PCBs: SECTION 5 PAGE 12

1. PCB ASSY ILIVE PROCESS L 003-343
2. PCB ASSY ILIVE PROCESS M 003-344
3. PCB ASSY ILIVE PROCESS R 003-345
4. PCB ASSY ILIVE TFT M 003-339

5. PCB ASSY ILIVE TFT R 003-340
6. PCB ASSY ILIVE TALKBACK 03-338
7. PCB ASSY ILIVE PFL METER 003-543
8. a. PCB ASSY ILIVE CONN FRONT 003-332 EARLY TYPE see Tech Support
- b. PCB ASSY ILIVE CONN FRONT 003-747 LATER TYPE see Tech Support
9. PCB ASSY ILIVE CHAN LM 003-326
10. PCB ASSY ILIVE CHAN R 003-328
11. PCB ASSY ILIVE CHAN EXP 003-329
12. MODULE ILIVE LCD CH DISPL AE5833

INTERNAL PCBs. SURFACE: SECTION 6 PAGE 14

1. PCB ASSY ILIVE CONN REAR
2. PCB ASSY ILIVE TRANSITION 003-342
3. PCB ASSY ILIVE SBC 003-591 *early type* / 003-748 *late type*
4. PCB ASSY ILIVE BACKPLANE 003-341

INTERNAL PCBs & FAN. MIXRACK: SECTION 7 PAGE 15

1. PCB ASSY IDR-64 BACKPLANE 003-304

**HARNESSES FROM TRANSITION PCB TO LCD/METER MODULES:
SECTION 8 PAGE 16**

iLiVE-80

1. AL6483
2. AL6484
3. AL6409

iLiVE-112

4. AL6483
5. AL6484
6. AL6485
7. AL6409

iLiVE-144

8. AL6406
9. AL6483
10. AL6407
11. AL6408
12. AL6409

iLiVE-176

13. AL6487
14. AL6406
15. AL6483
16. AL6488
17. AL6408
18. AL6489

HARNESSES - TOUCH SCREEN (SBC): SECTION 9 PAGE 19

Old type 003-591

1. AH6569. LVDS TOUCH SCREEN DRIVE. 7 PAIRS + 1
2. NO PART NUMBER. THIS IS SUPPLIED WITH THE SBC
3. AL6575. SHARED FRONT USB & HEADPHONES
4. AH6422. ETHERNET TO CPU
5. AL6424. TOUCH SCREEN CONTROL
6. AL6891. VGA OUTPUT, REAR PANEL
7. AH6427 (TYPE: 4 PIN) SBC DC SUPPLY

New type 003-748

8. AH7042 CABLE ILIVE LVDS SBC 8470
9. AH7060 CABLE USB A-A 2 MTRS
10. 003-747 PCB ASSY ILIVE CONN FRONT
11. AL6486 IDC WFM ILIVE TB TO HP
12. AL7071 WFM ASSY ILIVE POWER SBC
13. Rear USB cable

HARNESSES – FADERS: SECTION 11 PAGE 21

- FADER MOTOR DC CABLES. FOUR TYPES IDENTIFIED BY LENGTH
 - TYPE 1. 003-697 15cm
 - TYPE 2. 003-698 31cm
 - TYPE 3. 003-699 52cm
 - TYPE 4. 003-700 87cm

HARNESSES – VARIOUS:

- TALK BACK, MENU BUTTONS, SOFT KEYS, TRANSITION PCB AL6414 [*not shown in picture*]
- TRANSITION PCB TO UPPER PROCESSOR AL6413 [*not shown in picture*]

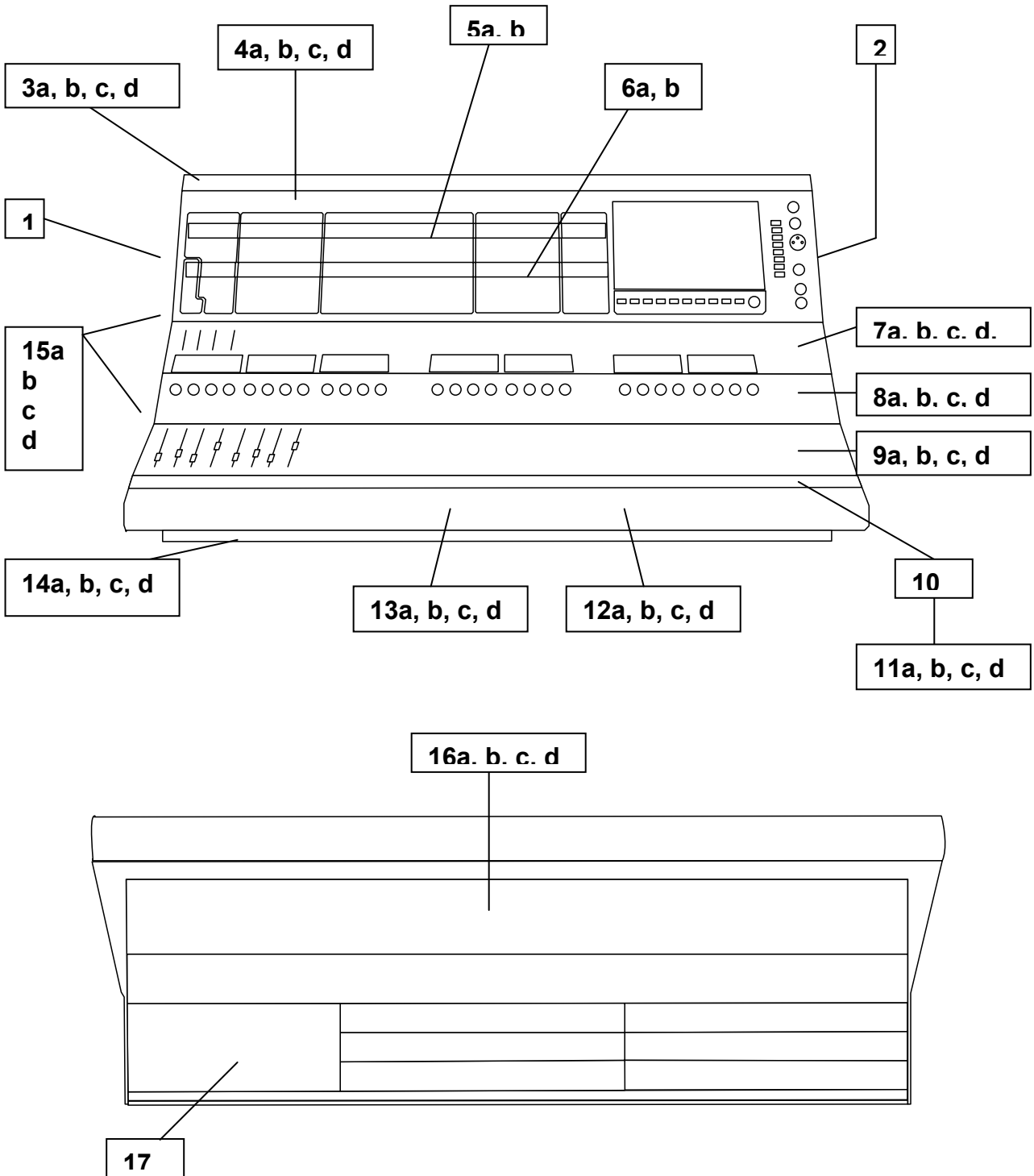
FLIGHT CASE SPARES:

- WHEEL. AN7016 FLIGHTCASE L/WHEEL SPARE (L = locking)
- HANDLE. AN7017 FLIGHTCASE HANDLE SPARE
- LATCH. AN7018 FLIGHTCASE LATCH SPARE

APPENDIX 1 PAGE 23

USB headphone PCB identification

**1. iLive SURFACE:
FLIGHT CASE, METALWORK, ACRYLICS, ARM REST & PSU**



1. **SIDE PANEL ILIVE OUTER LE AA5809-L**
2. **SIDE PANEL ILIVE OUTER RI AA5809-R**
3. **a EXTRUSION ILIVE 80 TOP AA6650**
b EXTRUSION ILIVE 112 TOP AA6498
c EXTRUSION ILIVE 144 TOP AA5803
d EXTRUSION ILIVE 176 TOP AA6499
4. **a FRONT PANEL ILIVE 80 DISP AA6645**
b FRONT PANEL ILIVE 112 DIS AA6365
c FRONT PANEL ILIVE 144 DIS AA5802
d FRONT PANEL ILIVE 176 DIS AA6369
5. **a FACIA ILIVE UPPER DISPLAY AA5806 (112, 144 & 176)**
b FACIA ILIVE UPPER DISP AA6647 (80)
6. **a FACIA ILIVE LOWER DISPLAY AA5805 (112, 144 & 176)**
b FACIA ILIVE LOWER DISP AA6648 (80)
7. **a FACIA ILIVE 80 MID AA6649**
b FACIA ILIVE 112 MID AA6368
c FACIA ILIVE 144 MID AA5804
d FACIA ILIVE 176 MID AA6372
8. **a FRONT PANEL ILIVE 80 MID AA6644**
b FRONT PANEL ILIVE 112 MID AA6366
c FRONT PANEL ILIVE 144 MID AA5800
d FRONT PANEL ILIVE 176 MID AA6370
9. **a FRONT PANEL ILIVE 80 FADE AA6643**
b FRONT PANEL ILIVE 112 FAD AA6367
c FRONT PANEL ILIVE 144 FAD AA5798
d FRONT PANEL ILIVE 176 FAD AA6371
10. **WRITE ON STRIP ILIVE AK6752 (FITS ALL. SUPPLIED AS FIXED LENGTH – CUSTOMER CUTS TO SIZE)**
11. **a IDENT STRIP ILIVE 80 AK6754**
b IDENT STRIP ILIVE 112 AK6721
c IDENT STRIP ILIVE 144 AK6719
d IDENT STRIP ILIVE 176 AA6722
12. **a ARMREST ILIVE 80 AA6712 (SOFT ARM REST WITHOUT EXTRUSION)**
b ARMREST ILIVE 112 AA6352 (SOFT ARM REST WITHOUT EXTRUSION)
c ARMREST ILIVE 144 AA5797 (SOFT ARM REST WITHOUT EXTRUSION)
d ARMREST ILIVE 176 AA6353 (SOFT ARM REST WITHOUT EXTRUSION)

- 13. a EXTRUSION ILIVE 80 FRONT AA6652 (EXTRUSION WITHOUT ARM REST)
- b EXTRUSION ILIVE 112 FRONT AA6494 (EXTRUSION WITHOUT ARM REST)
- c EXTRUSION ILIVE 144 FRONT AA5796 (EXTRUSION WITHOUT ARM REST)
- d EXTRUSION ILIVE 176 FRONT AA6495 (EXTRUSION WITHOUT ARM REST)

- 14. a BASE ILIVE 80 AA6642
- b BASE ILIVE 112 WING AA6398
- c BASE ILIVE 144 WING AA5853
- d BASE ILIVE 176 WING AA6399

- 15. a EXTRUSION ILIVE 80 MID AA6651
- b EXTRUSION ILIVE 112 MID AA6651
- c EXTRUSION ILIVE 144 MID AA5801
- d EXTRUSION ILIVE 176 MID AA6497

- 16. a REAR PANEL ILIVE 80 AA6640
- b REAR PANEL ILIVE 112 AA5812
- c REAR PANEL ILIVE 144 AA5812
- d REAR PANEL ILIVE 176 AA5812

17. PSU ASSY ILIVE 003-335

FLIGHT CASE ILIVE 80 AN7139

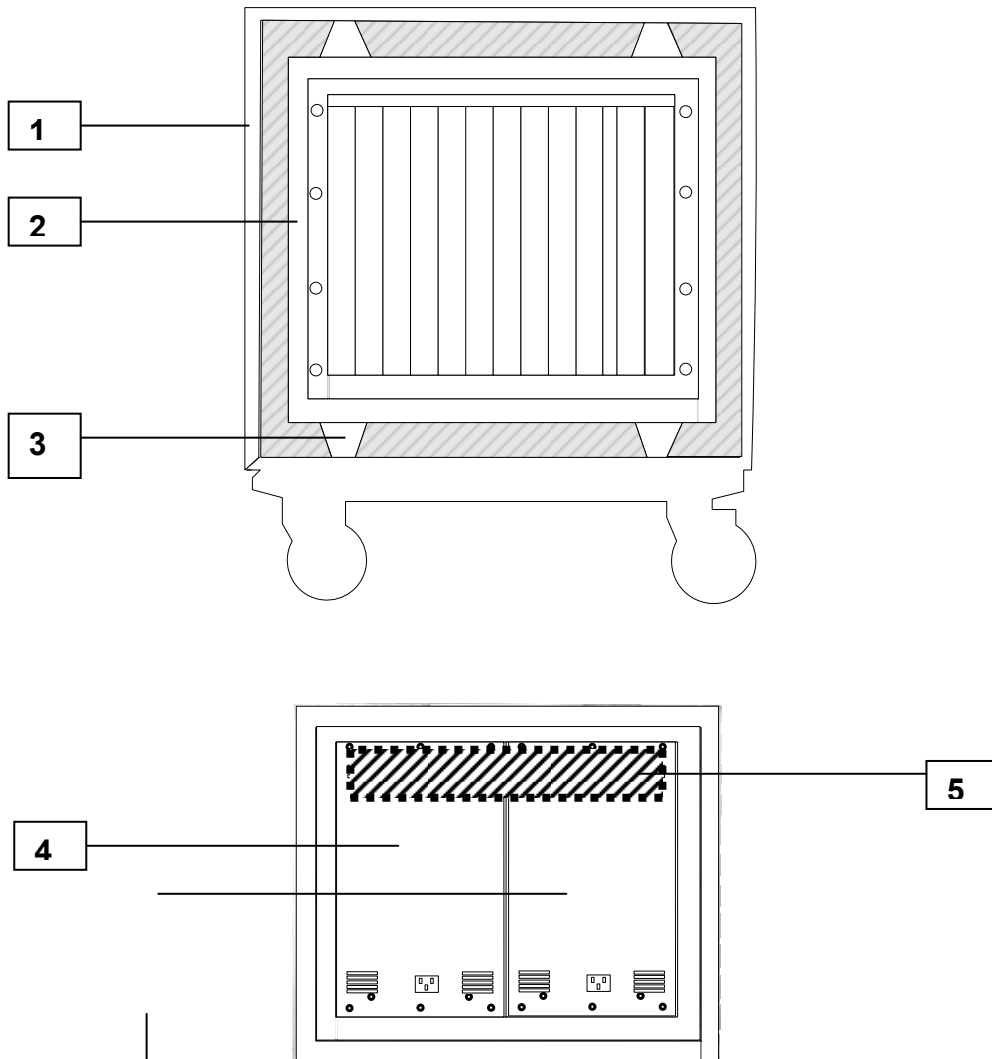
FLIGHT CASE ILIVE 112 AN6492

FLIGHT CASE ILIVE 144 AN6328

FLIGHT CASE ILIVE 176 AN6493

WHEEL. AN7016 FLIGHTCASE L/WHEEL SPARE
HANDLE. AN7017 FLIGHTCASE HANDLE SPARE
LATCH. AN7018 FLIGHTCASE LATCH SPARE

**2. MIXRACK:
FLIGHT CASE, METALWORK, FAN & PSU**



1. FLIGHT CASE AN6329

2. RACK

3. SHOCK MOUNT

4. PSU ASSY IDR-64 003-312 (TWO SHOWN)

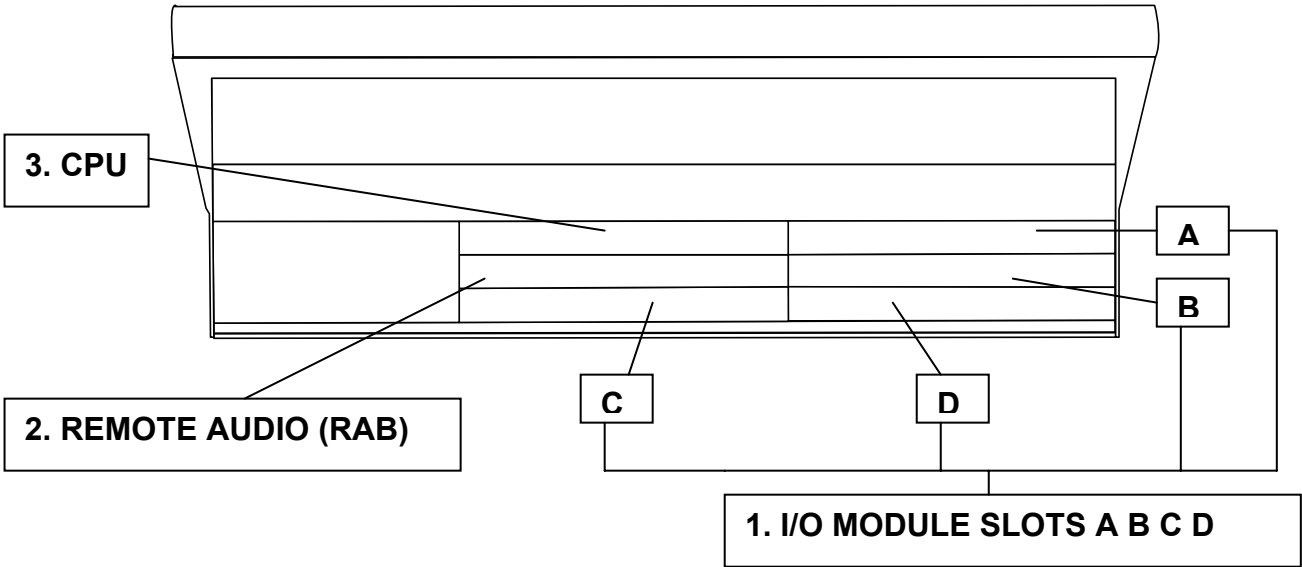
5. FAN

WHEEL. AN7016 FLIGHTCASE L/WHEEL SPARE

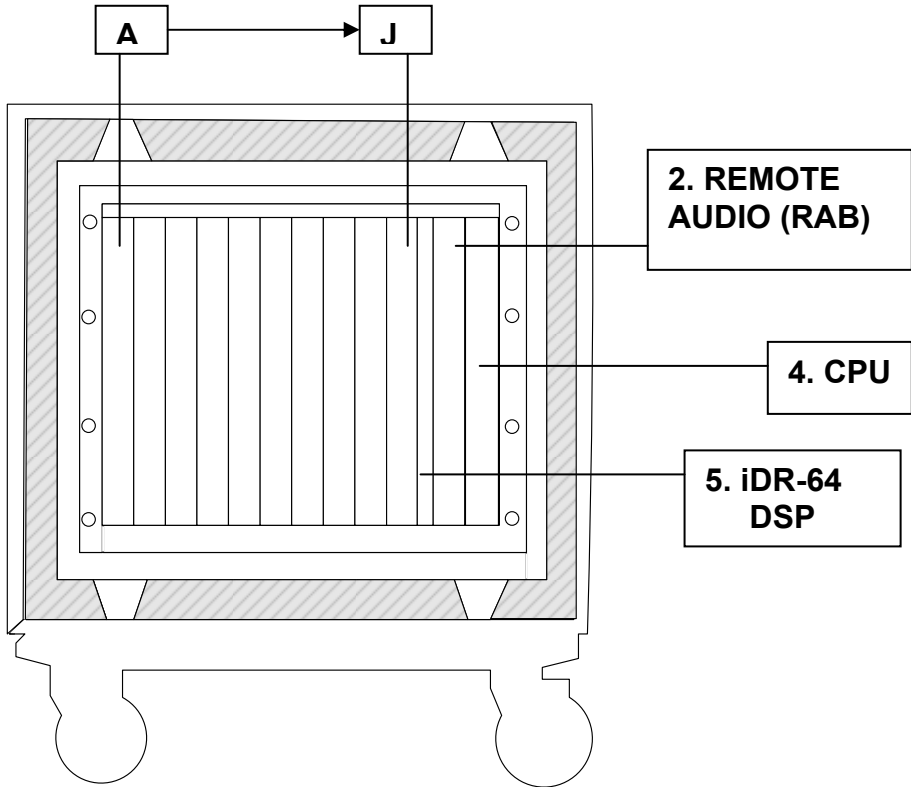
HANDLE. AN7017 FLIGHTCASE HANDLE SPARE

LATCH. AN7018 FLIGHTCASE LATCH SPARE

3. MODULES

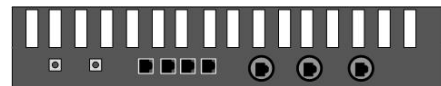


1. I/O MODULE SLOTS A - J



I/O MODULES

1. M-BLANK-A. Blank.
2. M-DIGIN-A. Digital i/p module.
3. M-DIGOUT-A. Digital o/p module.
4. M-LINEOUT-A. Analogue line o/p module.
5. M-MICIN-A. Analogue mic/line i/p module.
6. M-MULTIOUT-A. Multi, digital o/p module.
7. M-DUALIN-A. Dual mic/line i/p module.



COMMS, ETHERSOUND, DSP

8. M-RAB-A. Surface RAB + ESA
9. M-RAB-B. iDR10 EAB + ESA
10. M-RAB-C. iDR10 RAB no ES
11. M-RAB-D. iDR10 RAB + ESA + ESB



M-RAB-A ILLUSTRATED WITH 1X ETHERSOUND KIT

12. MODULE ILIVE CPU 003-350



13. MODULE IDR-64 CPU 003-311



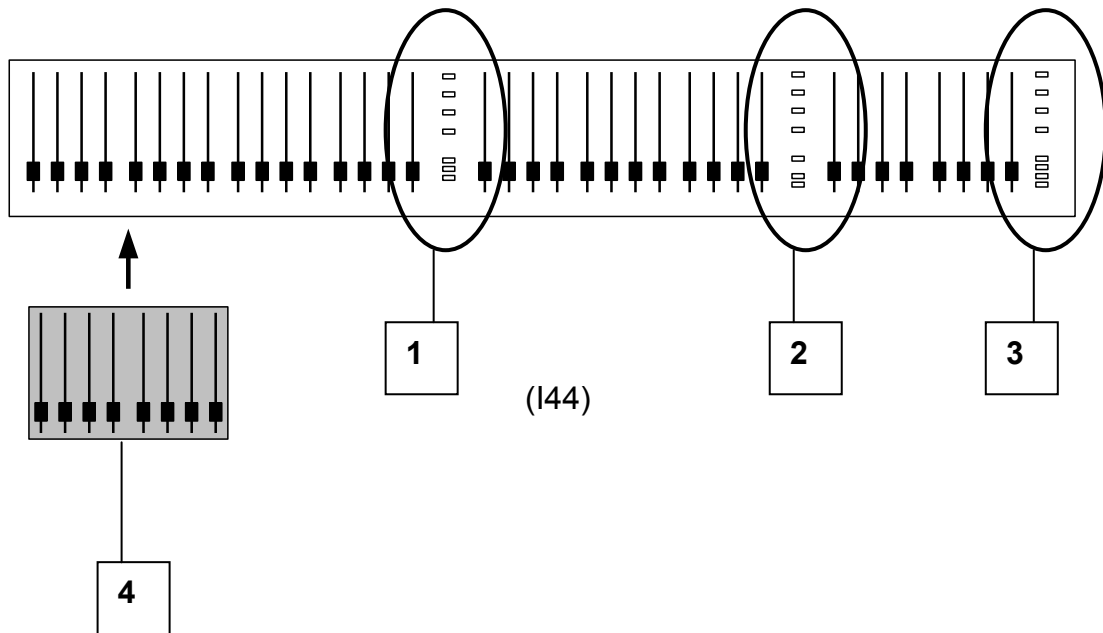
14. MODULE IDR-64 DSP 003-309



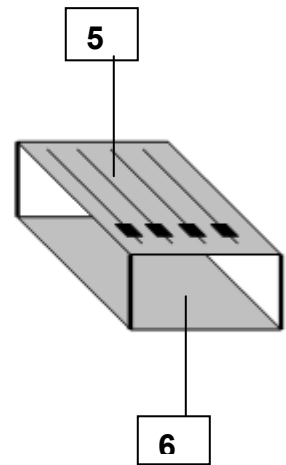
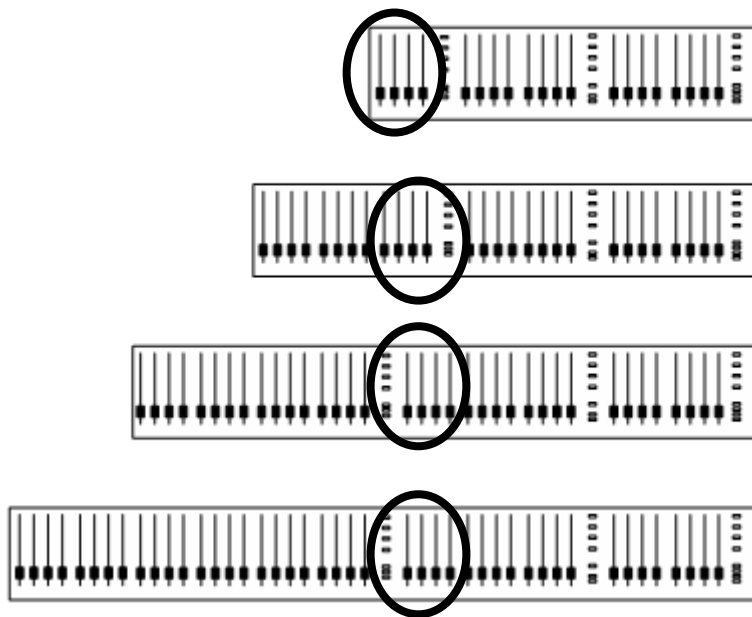
15. MODULE IDR-64 DSP EXTRA (8x FX) 003-801



4. FADER PCBs

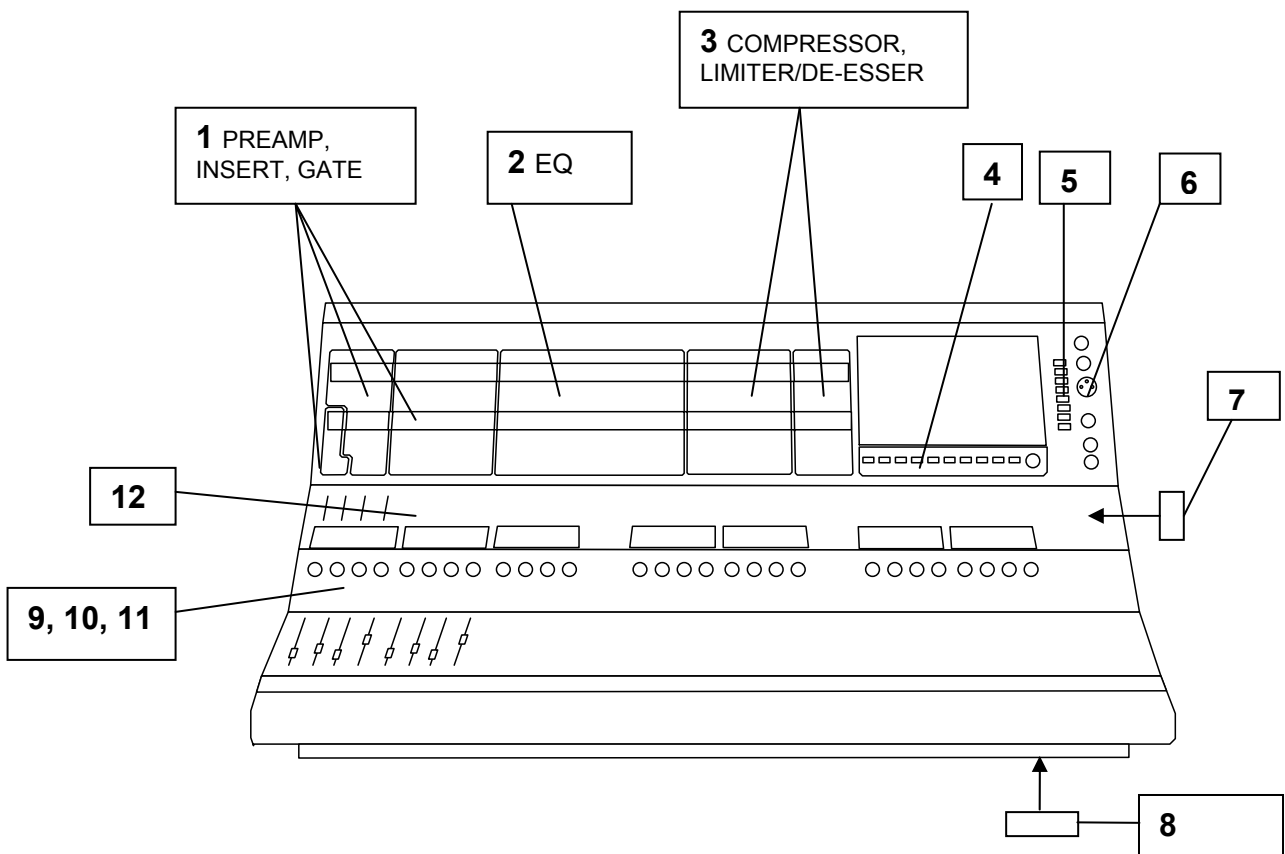


1. PCB ASSY ILIVE BANK L 003-320
2. PCB ASSY ILIVE BANK M 003 321
3. PCB ASSY ILIVE BANK R 003-322
4. PCB ASSY ILIVE FADER SLAV 003-323

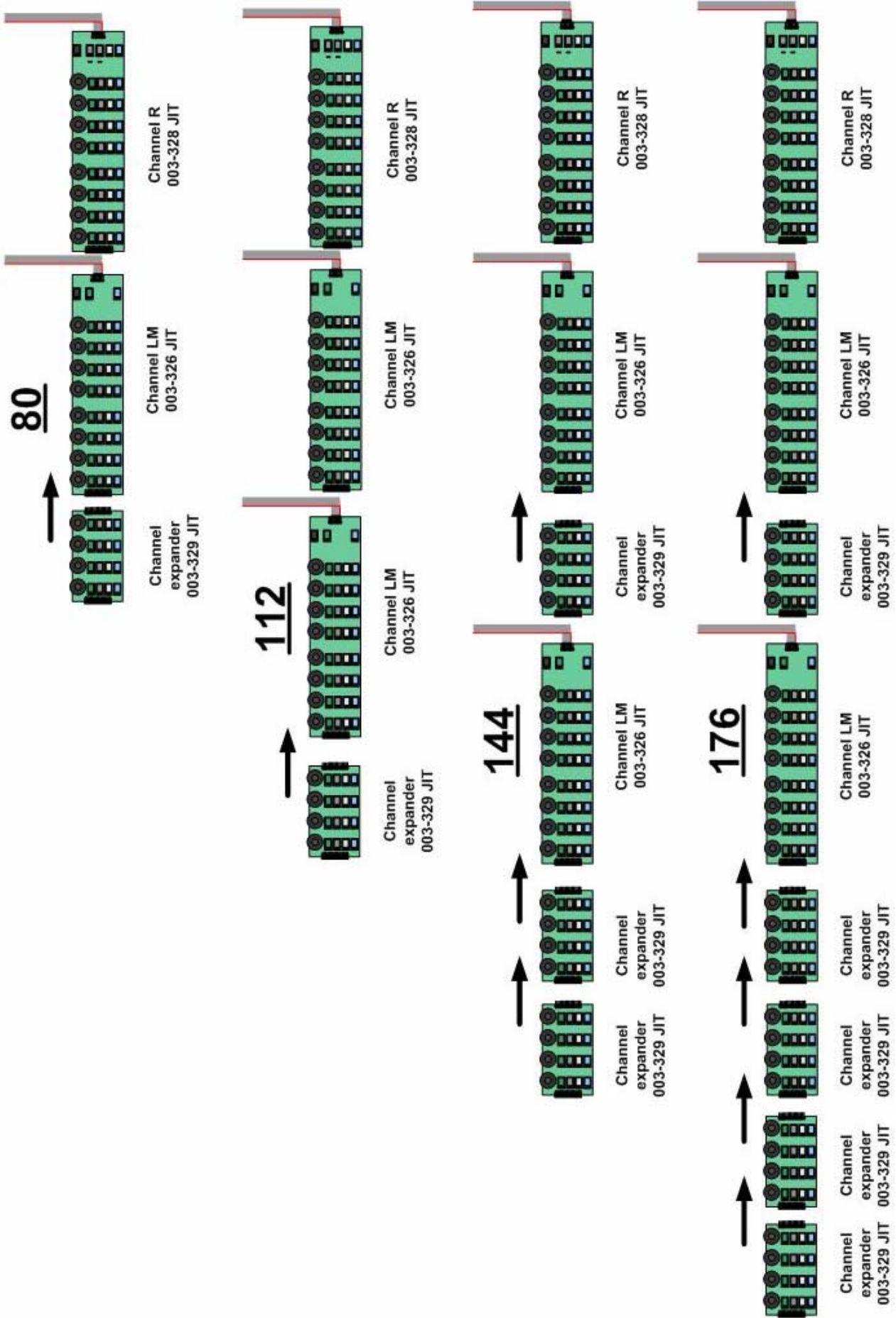


- 5. PCB ASSY ILIVE FADER MAST 003-324
- 6. PCB ASSY ILIVE FADER MOTO 003-494

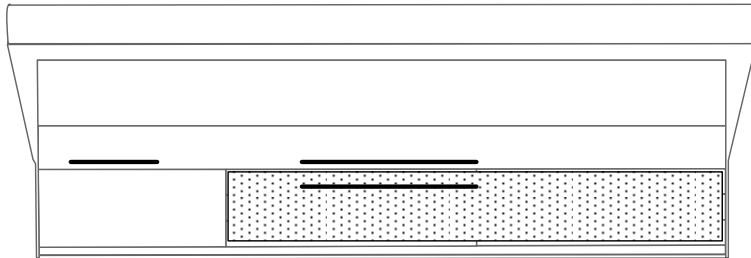
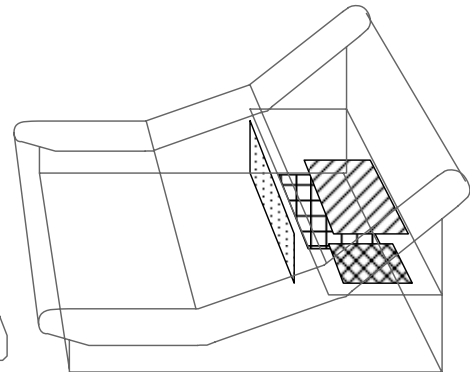
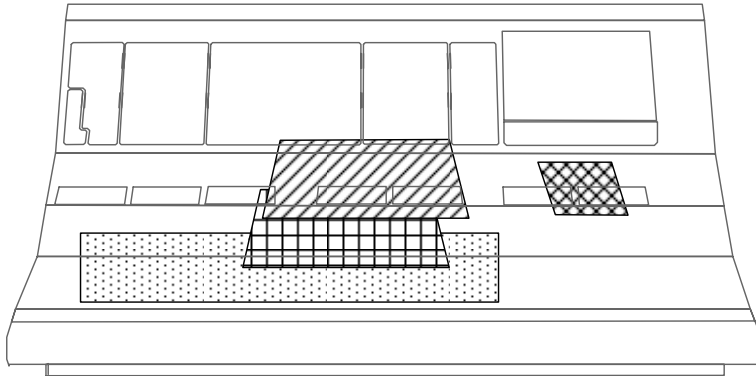
5. FRONT PCBs



1. PCB ASSY ILIVE PROCESS L 003-343 (PREAMP, INSERT, GATE)
2. PCB ASSY ILIVE PROCESS M 003-344 (EQ)
3. PCB ASSY ILIVE PROCESS R 003-345 (COMPRESSOR, LIMITER/DE-ESSER)
003-345 NOT USED ON ILIVE 80
4. PCB ASSY ILIVE TFT M 003-339 (MENU BUTTONS AND ROTARY)
5. PCB ASSY ILIVE TFT R 003-340 (SOFT KEYS)
6. PCB ASSY ILIVE TALKBACK 03-338 (MONITOR)
7. PCB ASSY ILIVE PFL METER 003-543 (MASTER PAFL METER)
8. PCB ASSY ILIVE CONN FRONT. (USB/HEADPHONES) See Appendix 1 for part numbers
9. PCB ASSY ILIVE CHAN LM 003-326. See next page for layout.
10. PCB ASSY ILIVE CHAN R 003-328. See next page for layout.
11. PCB ASSY ILIVE CHAN EXP 003-329. See next page for layout.
12. MODULE ILIVE LCD CH DISPL AE5833 (4X LCD WITH 4X CHANNEL METERS)



6. INTERNAL PCBs. SURFACE



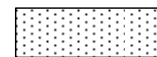
1. 003-334



2. 003-342



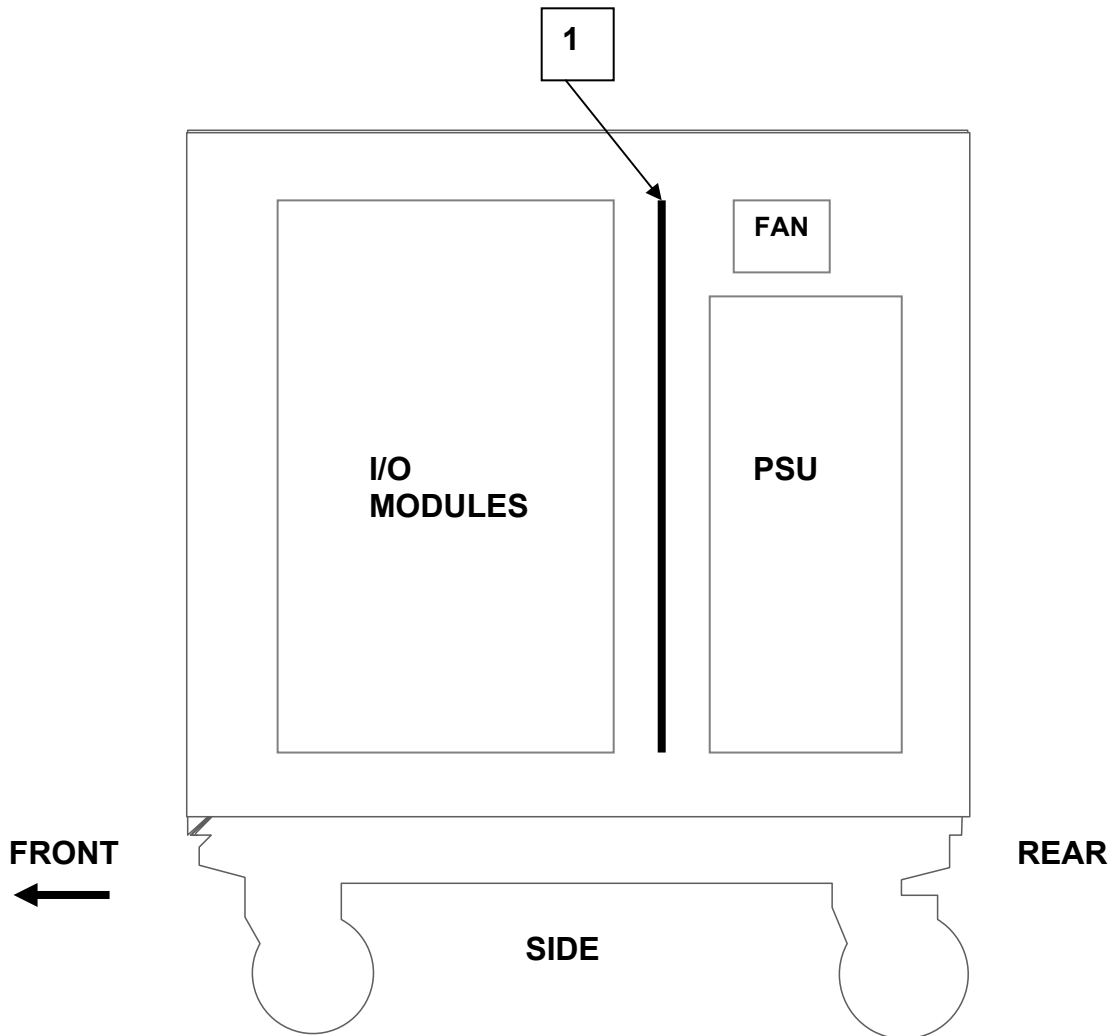
3. 003-591/748



4. 003-341

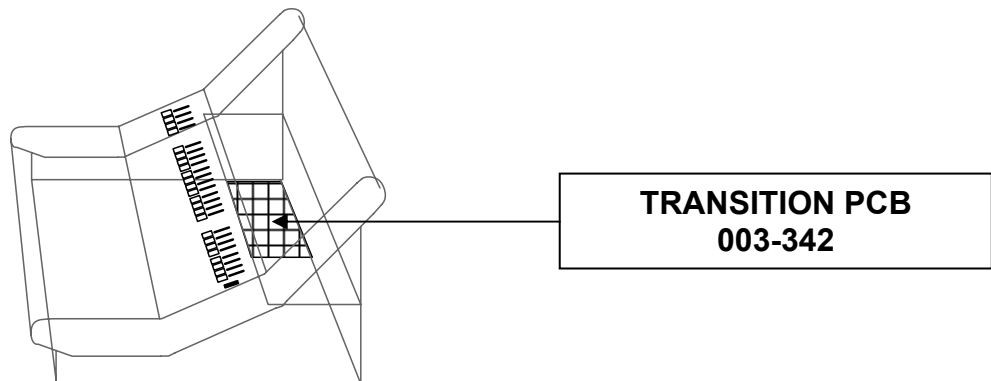
1. PCB ASSY ILIVE CONN REAR
2. PCB ASSY ILIVE TRANSITION 003-342
3. PCB ASSY ILIVE SBC 003-591 / 003-748
4. PCB ASSY ILIVE BACKPLANE 003-341

7. INTERNAL PCBs & FAN. MIXRACK

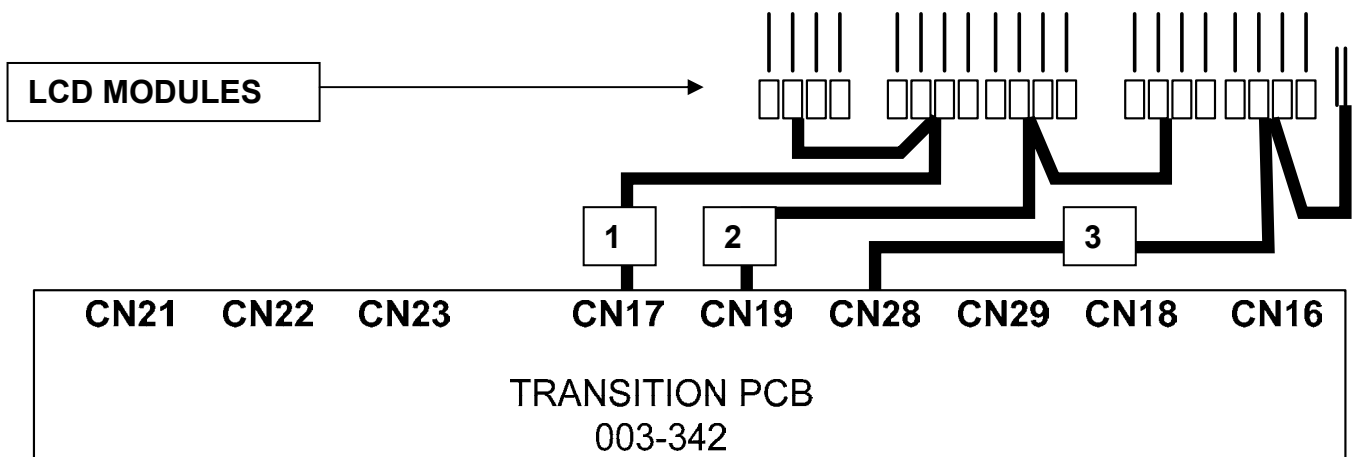


1. PCB ASSY IDR-64 BACKPLANE 003-304

8. HARNESSES FROM TRANSITION PCB TO LCD/METER MODULES

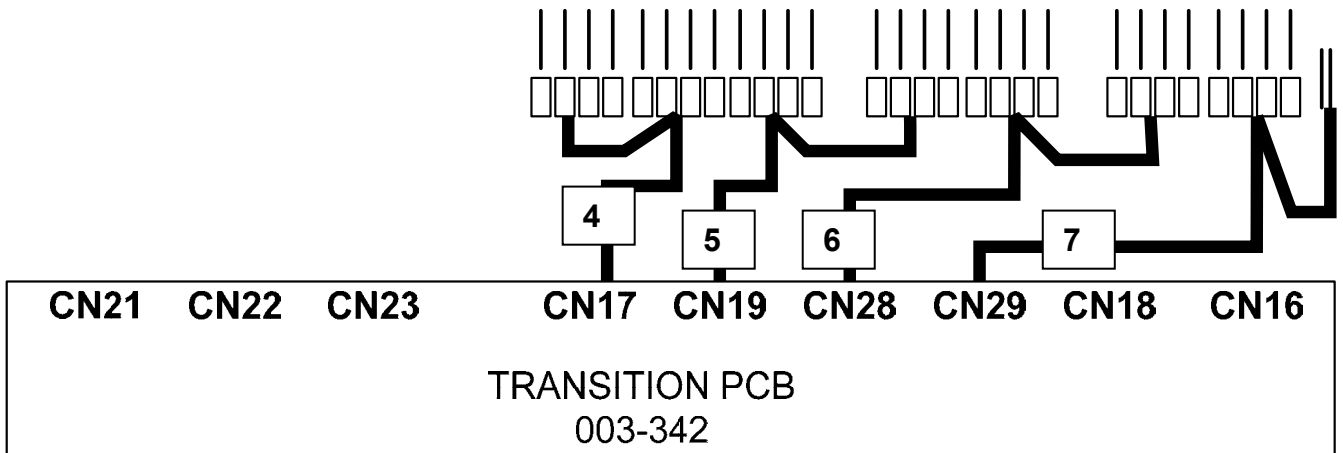


ILiVE-80



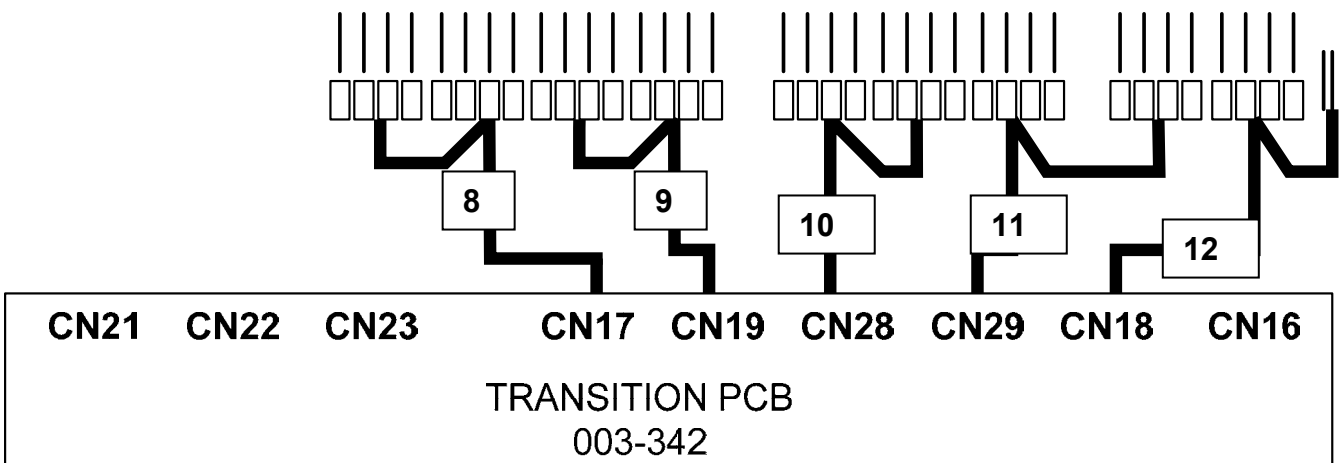
1. AL6483 (TYPE: BOX 13X2)
2. AL6484 (TYPE: BOX 13X2)
3. AL6409 (TYPE: BOX 13X2)

iLiVE-112



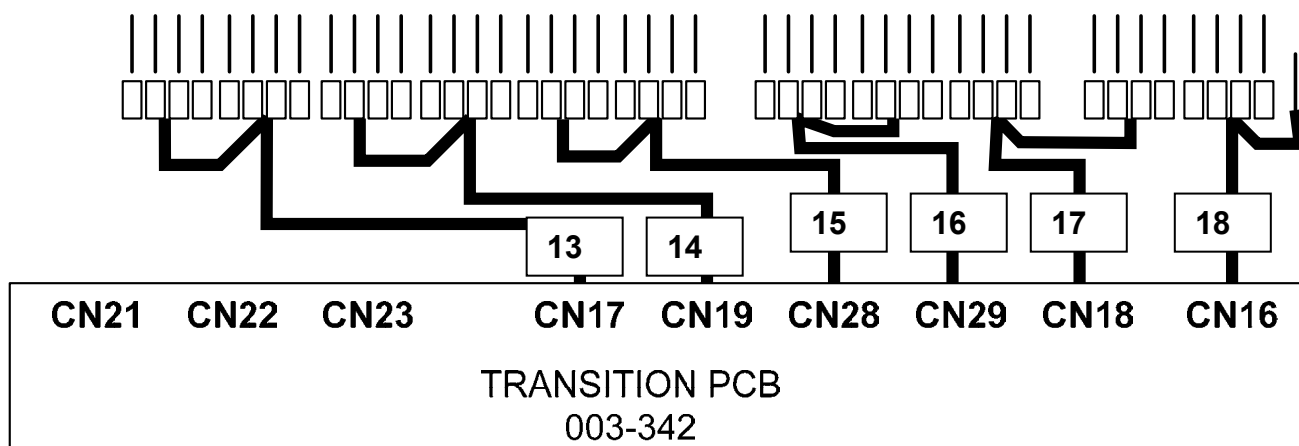
- 4. AL6483 (TYPE: BOX 13X2)
- 5. AL6484 (TYPE: BOX 13X2)
- 6. AL6485 (TYPE: BOX 13X2)
- 7. AL6409 (TYPE: BOX 13X2)

iLiVE-144



- 8. AL6406 (TYPE: BOX 13X2)
- 9. AL6483 (TYPE: BOX 13X2)
- 10. AL6407 (TYPE: BOX 13X2)
- 11. AL6408 (TYPE: BOX 13X2)
- 12. AL6409 (TYPE: BOX 13X2)

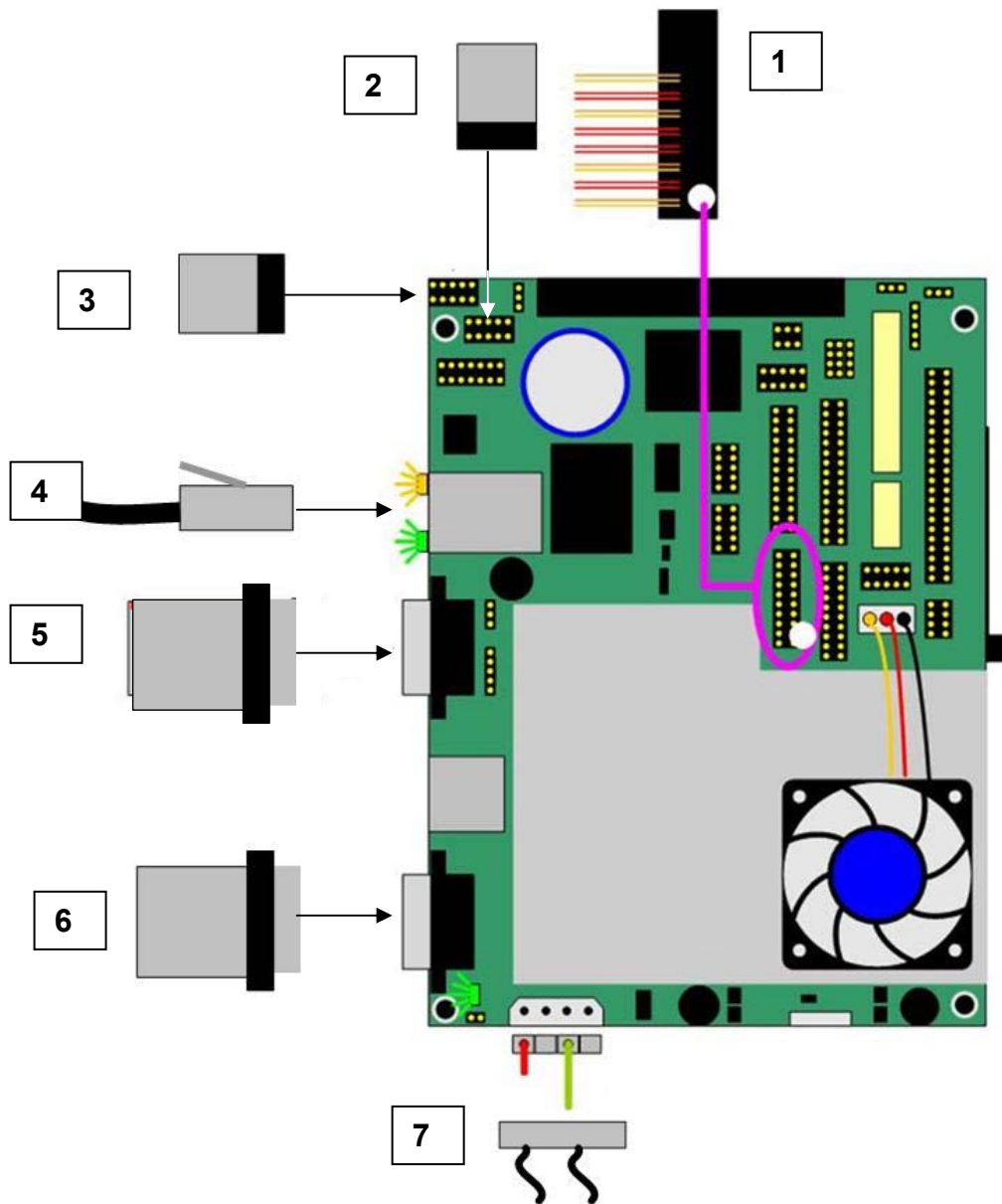
iLiVE-176



- 13. AL6487 (TYPE: BOX 13X2)
- 14. AL6406 (TYPE: BOX 13X2)
- 15. AL6483 (TYPE: BOX 13X2)
- 16. AL6488 (TYPE: BOX 13X2)
- 17. AL6408 (TYPE: BOX 13X2)
- 18. AL6489 (TYPE: BOX 13X2)

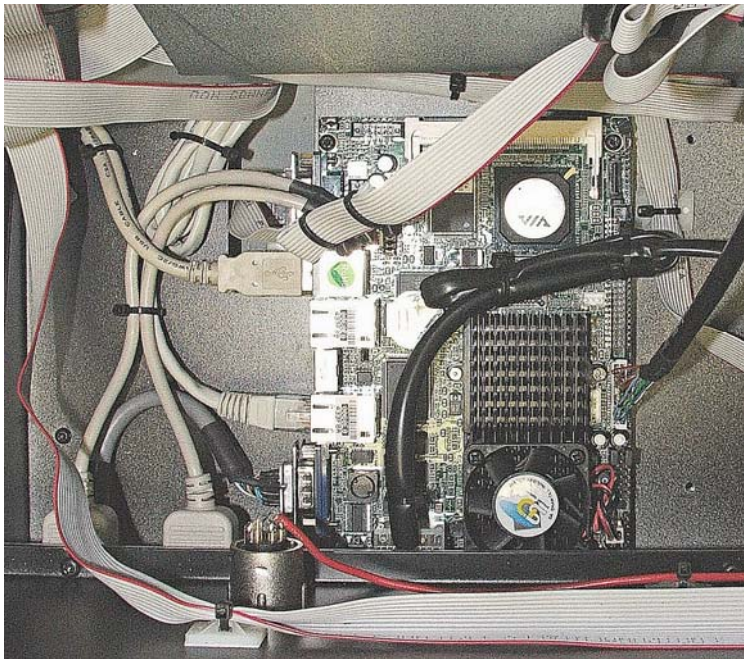
9. HARNESSSES – TOUCH SCREEN (SBC)

Old type SBC 003-591

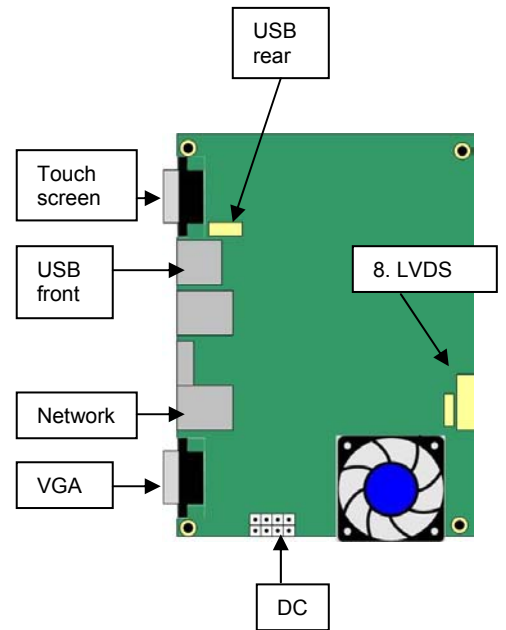


1. AH6569. LVDS TOUCH SCREEN DRIVE. 7 PAIRS + 1
2. NO PART NUMBER. THIS IS SUPPLIED WITH THE SBC
3. AL6575. SHARED FRONT USB & HEADPHONES
4. AH6422. ETHERNET TO CPU
5. AL6424. TOUCH SCREEN CONTROL
6. AL6891. VGA OUTPUT, REAR PANEL
7. AH6427 (TYPE: 4 PIN) SBC DC SUPPLY

New type SBC 003-748



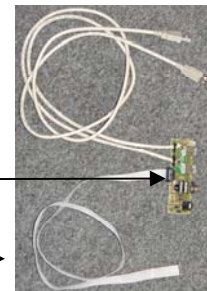
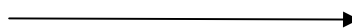
003-748JIT



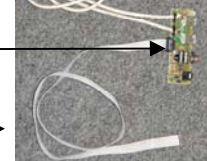
8. AH7042 CABLE ILIVE LVDS SBC 8470



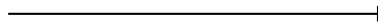
9. AH7060 CABLE USB A-A 2 MTRS



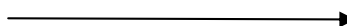
10. 003-747 PCB ASSY ILIVE CONN FRONT



11. AL6486 IDC WFM ILIVE TB TO HP



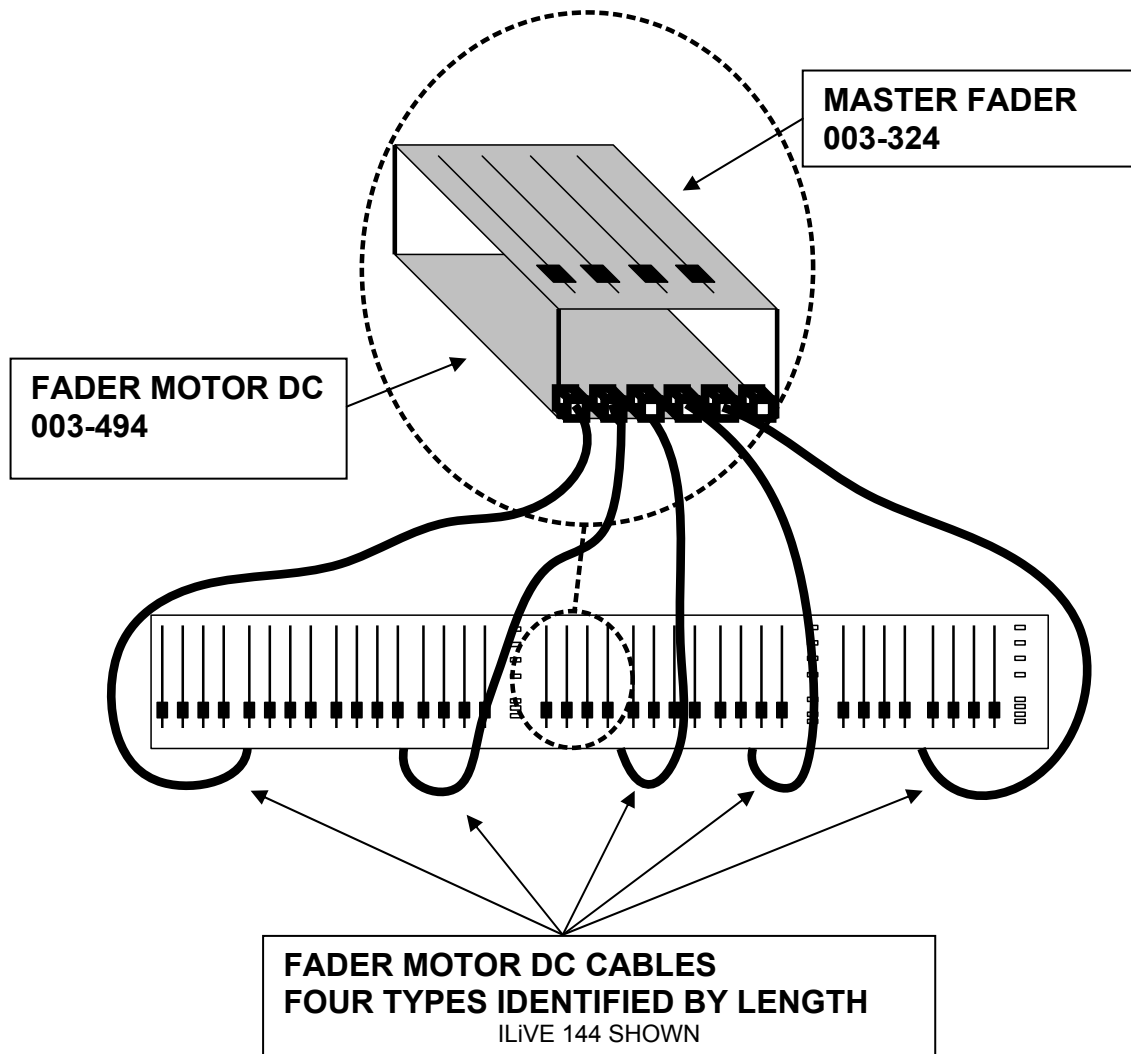
12. AL7071 WFM ASSY ILIVE POWER SBC



13. Rear USB cable



11. HARNESSSES – FADERS



TYPE 1. 003-697 15cm

TYPE 2. 003-698 31cm

TYPE 3. 003-699 52cm

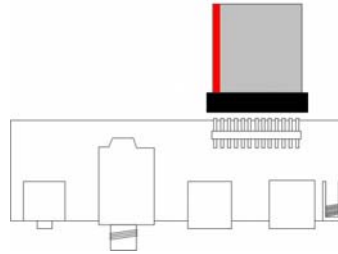
TYPE 4. 003-700 87cm

APPENDIX 1

There are **three** types of front USB/headphone PCB assembly.

1. Part number 003-332

Single flat harness

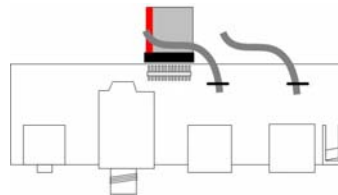


Used on early units with older SBC (003-591).



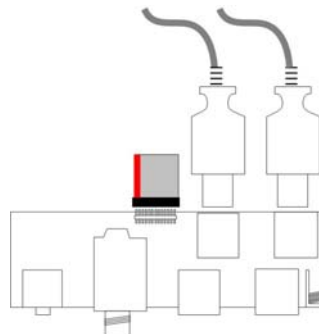
2. Part number 003-744

Flat harness & pigtail USB cables.



OR

Flat harness & separate USB cables.



Used on later units with later SBC 003-748



These are interchangeable and can be swapped.