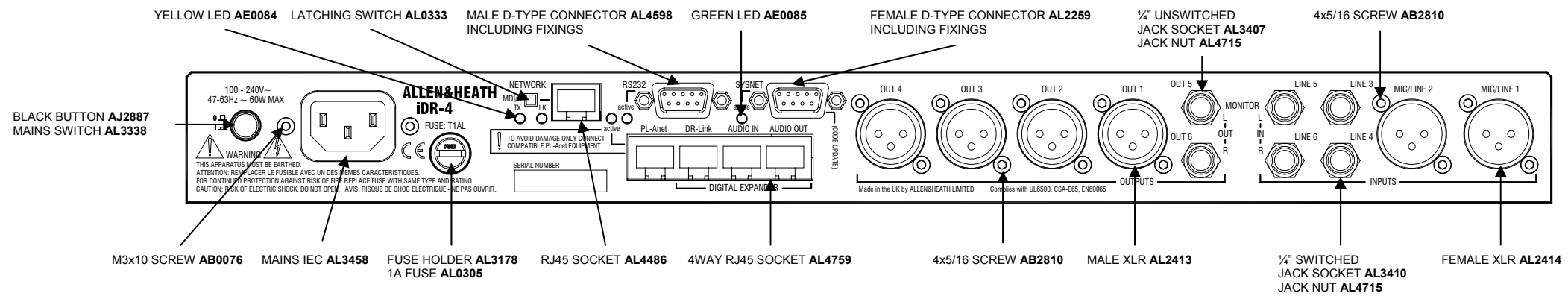
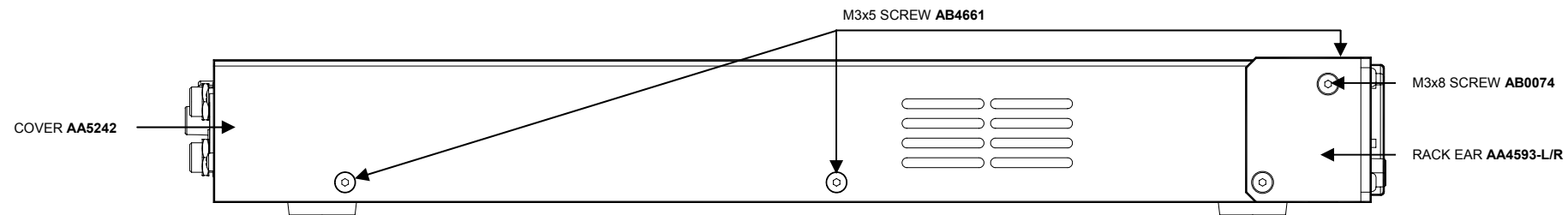
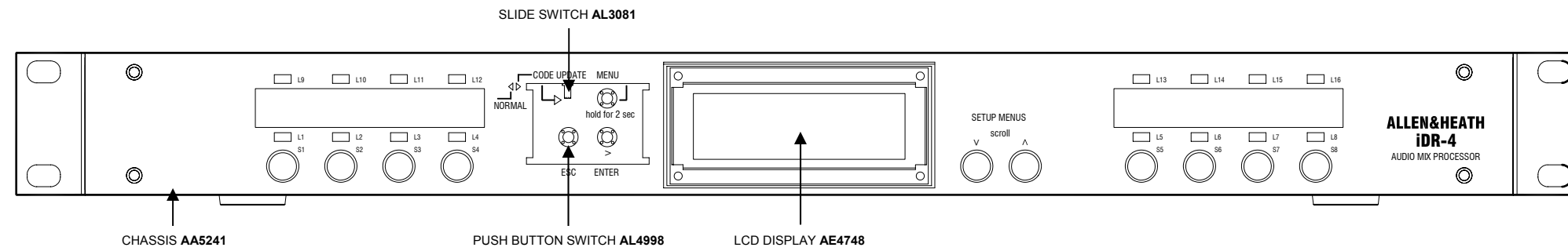
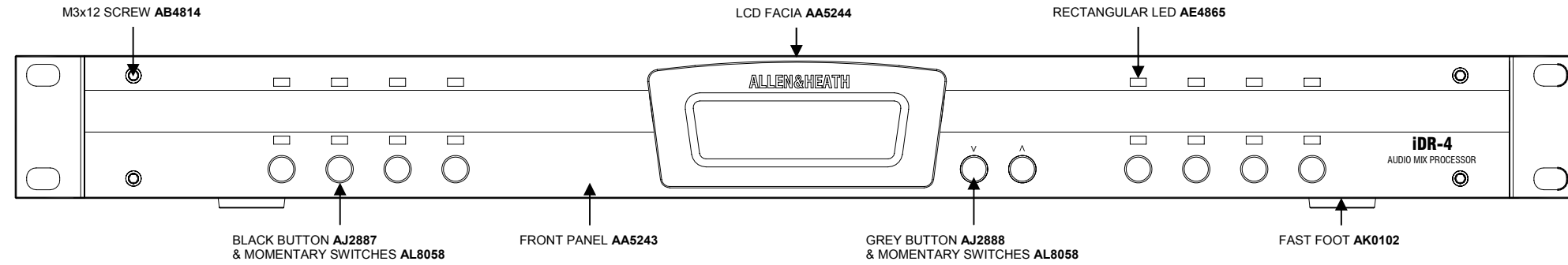


iDR-4 Surface Parts



iDR-4 Digital Audio Mix Processor

iDR-4/100, 110, 120, 220 240

ASSEMBLY	DESCRIPTION	PART NUMBER	DESCRIPTION	QUANTITY	ASSEMBLY	DESCRIPTION	PART NUMBER	DESCRIPTION	QUANTITY
IDR-4/100	DIGITAL AUDIO PROCESSOR 100V	AH0323	MAINS LEAD IEC-3PIN C33 USA	1	003-111	MAIN ASSY IDR-4	AA4593-L	RACK EAR IDR-IN/OUT LEFT	1
		007-002	IDR-4 AUDIO PROCESSOR	1			AA4593-R	RACK EAR IDR-IN/OUT RIGHT	1
IDR-4/110	DIGITAL AUDIO PROCESSOR 110V	AH0323	MAINS LEAD IEC-3PIN C33 USA	1			AA5241	CHASSIS IDR-4	1
		007-002	IDR-4 AUDIO PROCESSOR	1			AA5242	COVER IDR-4	1
IDR-4/120	DIGITAL AUDIO PROCESSOR 120V	AH0323	MAINS LEAD IEC-3PIN C33 USA	1			AA5243	FRONT PANEL IDR-4	1
		007-002	IDR-4 AUDIO PROCESSOR	1			AA5244	FACIA LCD IDR-4	1
IDR-4/220	DIGITAL AUDIO PROCESSOR 220V	AH0205	MAINS LEAD IEC-2PIN EURO	1			AB0072	SCREW M3X6MM PAN TORX BK	26
		007-002	IDR-4 AUDIO PROCESSOR	1			AB0074	SCREW M3X8 CSK TORX BK	4
IDR-4/240	DIGITAL AUDIO PROCESSOR 240V	AH0205	MAINS LEAD IEC-2PIN EURO	1			AB0076	SCREW M3X10 PAN TORX BK	2
		007-002	IDR-4 AUDIO PROCESSOR	1			AB0102	NUT M3 NYLOCK	6
		AH0206	MAINS LEAD IEC-3PIN UK 10AMP	1			AB2810	SCREW 4X5/16 PAN POLY TORX BLACK UNDER HEAD PIPS	12
		007-002	IDR-4 AUDIO PROCESSOR	1			AB4661	SCREW M3X5 TRUNC CSK POZI BK	8
		AH0206	MAINS LEAD IEC-3PIN UK 10AMP	1			AB4814	SCREW M3X12 SKT DOME S/S	4
		007-002	IDR-4 AUDIO PROCESSOR	1			AJ2887	PUSH BTN BLACK ROUND	9
							AJ2888	PUSH BTN LGREY ROUND	2
							AL4715	NUT JACK NKL PTD BRASS RING	6
							AL4765	IDC WFM IDR-8 26W COMMS 1	2
							AL5407	IDC WFM IDR-4 40W CPU TO AUDIO	1
							AL5408	IDC WFM IDR-4 10W PS TO COMMS4	1
							AL5409	IDC WFM IDR-4 20W PS TO CPU/AUDIO	2
							AL5410	IDC WFM IDR-4 20W CPU TO FRONT	1
							AN2799	LABEL EARTH WARNING 12.5MM	1
							003-113	PCB ASSY IDR-4 ANALOGUE	1
							003-114	PCB ASSY IDR-4 CPU	1
							003-115	PCB ASSY IDR-4 FRONT PANEL	1
							003-116	PCB ASSY IDR-4 SMPSU	1
							003-117	PCB ASSY IDR-4 COMMS 3	1
							003-118	PCB ASSY IDR-4 COMMS 4	1
					003-112	PACK ASSY IDR-4	AN0346	POLY BAG 9X12.75" S/SEAL 200G	1
							AN2290	POLY BAG 18X24" 120G PLAIN	1
							AN4687	BOX+FIT IDR-8	1
							AP4128	BAG BUBBLE 320X250MM	1
					003-152	PROG IC IDR COMMS 1/3 S/WARE \ AE4597		IC SMD CPLD XC9536XL-10PC44C (TRAY)	1
					007-002	IDR-4 AUDIO PROCESSOR	AH4818	CABLE CAT5 UTP 2M GREY RJ45 PTCH	1
							AK0102	FEET FAST 20DIA P4X5	4
							AL3653	LEAD RS232	1
							AN0395	POLY BAG 3.5X4.5" 200G S/S	1
							AP3594	REGISTRATION CARD	1
							AP4362	DISK COMPACT A&H RESOURCE	1
							AP5230	USER GUIDE IDR-4	1
							AT4819	ALLEN KEY 2MM	1
							003-111	MAIN ASSY IDR-4	1
							003-112	PACK ASSY IDR-4	1