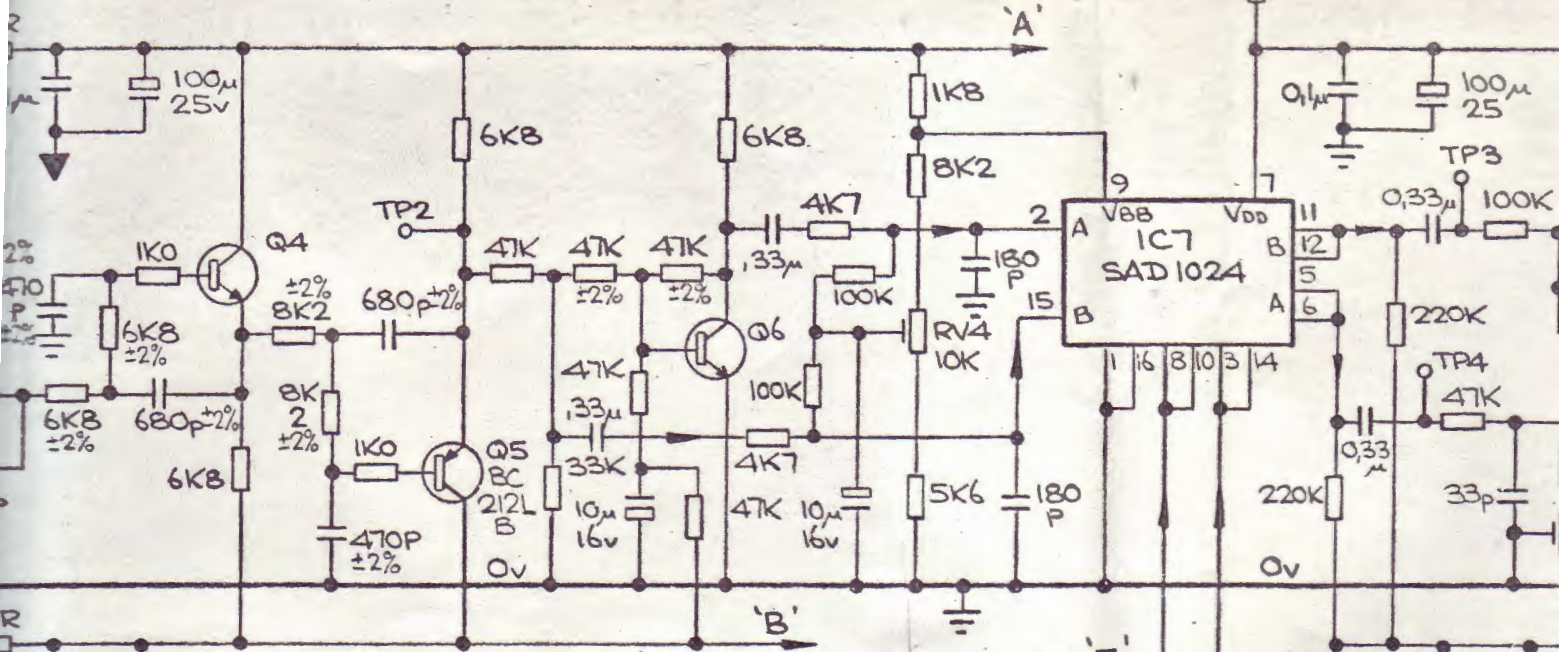


NOTE: ▽ & ▽ INDICATE INDEPENDENT RETURNS TO COMMON P.C.B. EARTH POINT

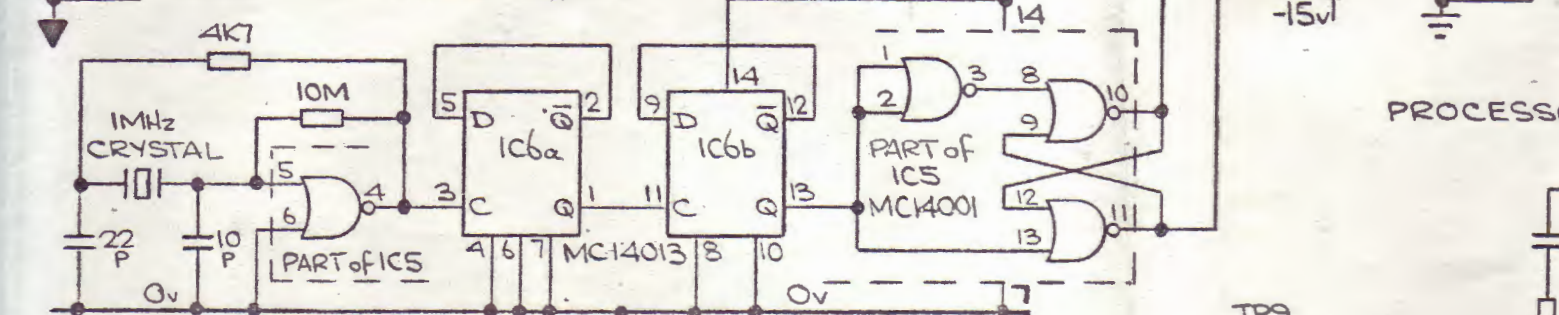
ANTI-ALIAS FILTER

BIAS

DELAY LINE

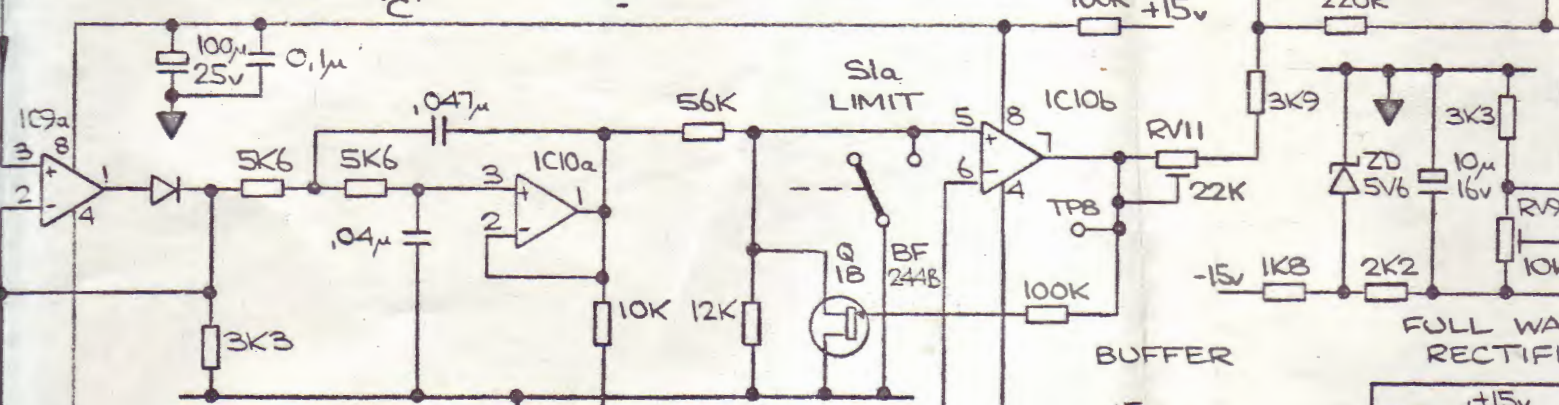


2 PHASE CLOCK

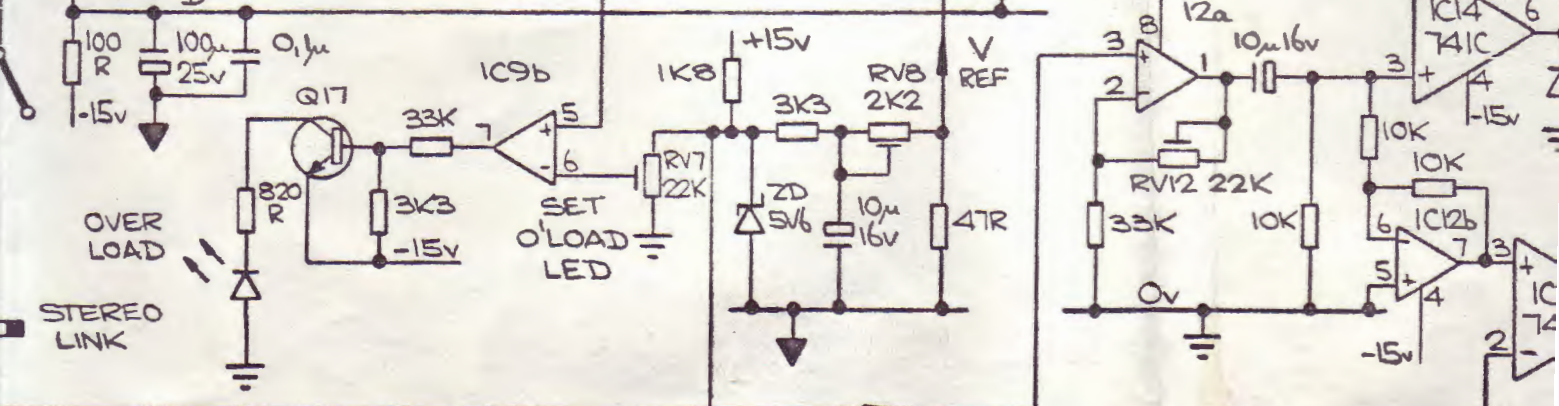


BUFFER & FILTER 'C'

CONTROL FET



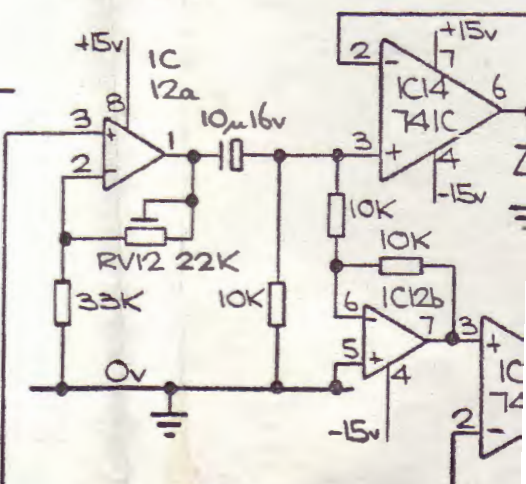
'D'

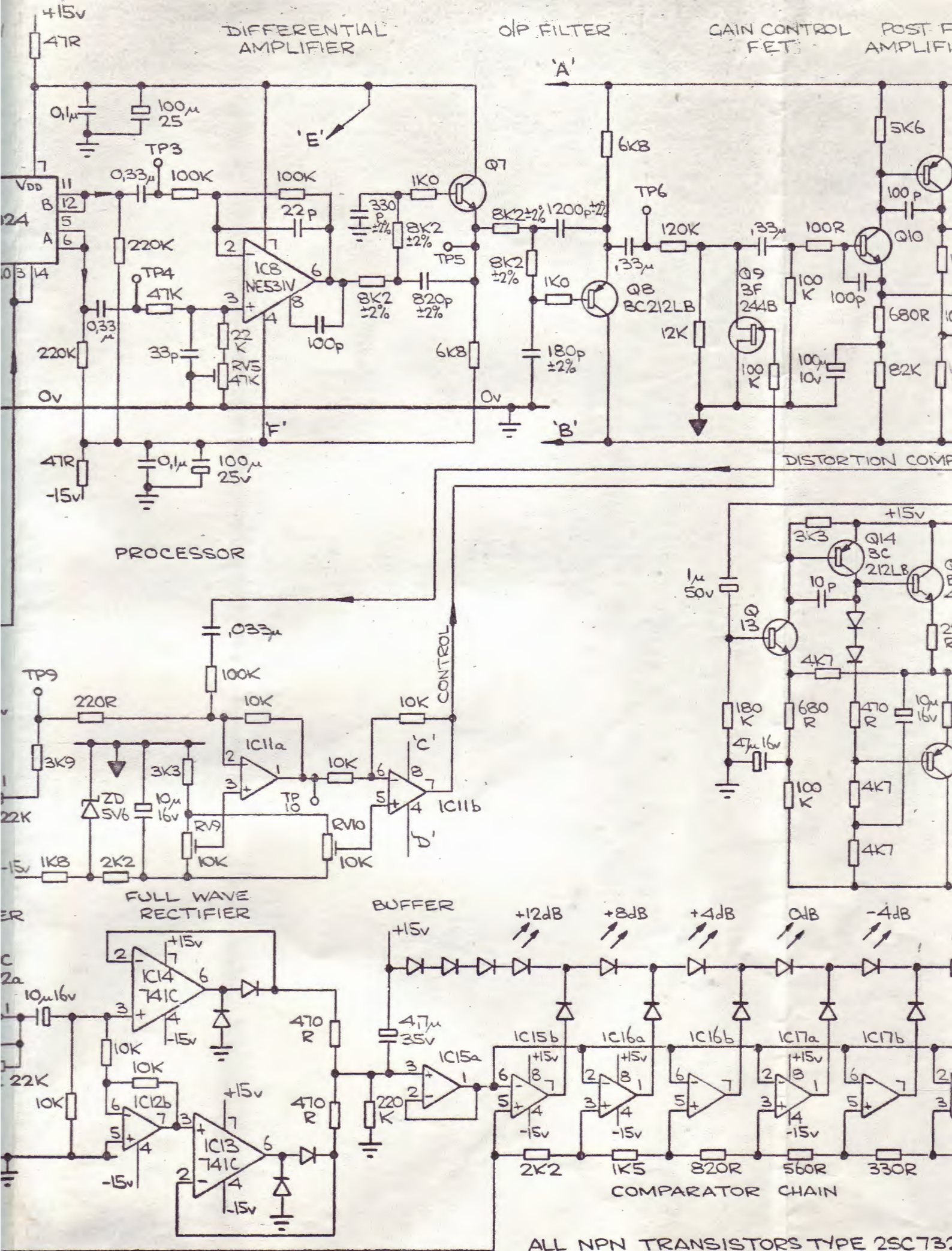


PROCESSOR

FULL WAVE RECTIFI

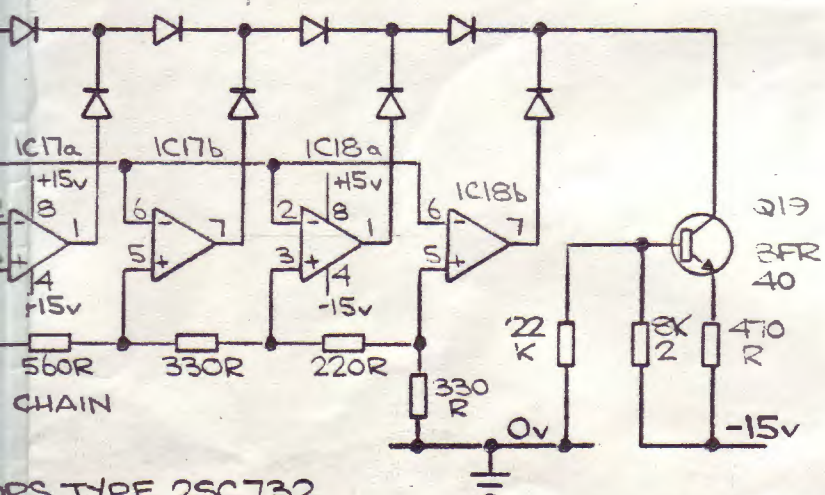
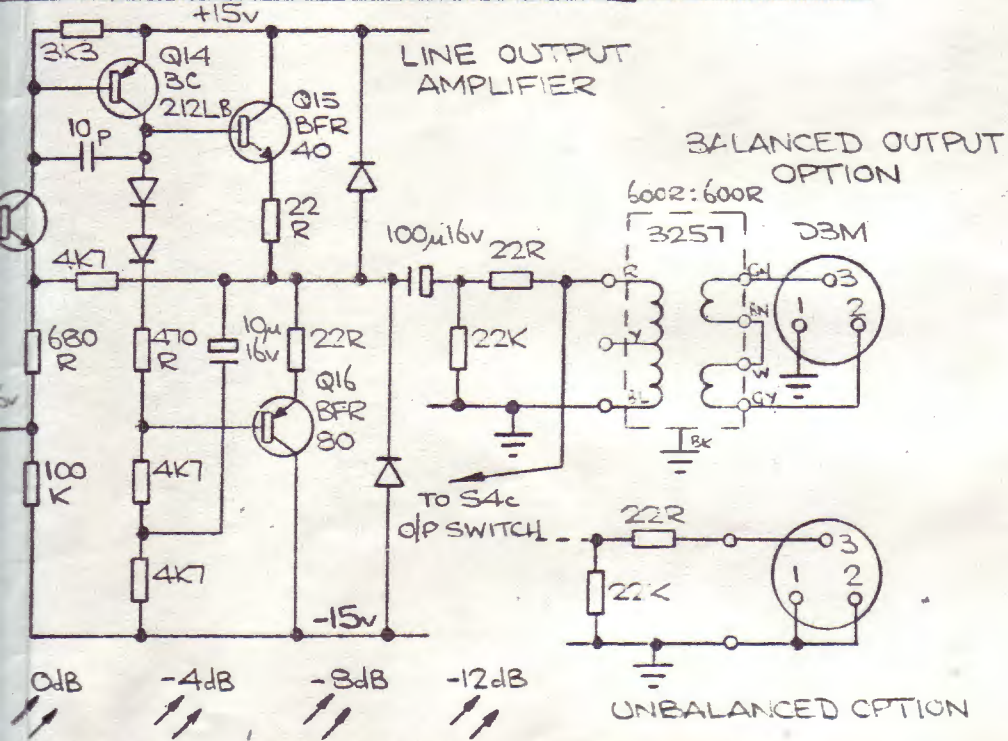
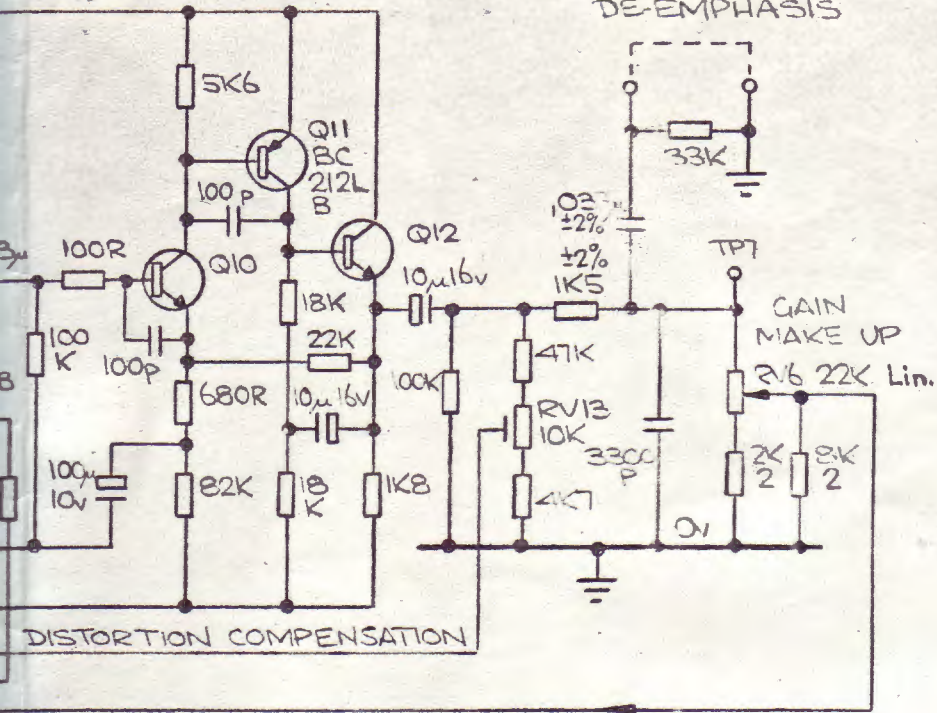
BUFFER





ALL NPN TRANSISTORS TYPE 2SC73
 ALL UNSPECIFIED DIODES TYPE IN414
 ALL UNSPECIFIED I.C.'S MC1458 CP

CONTROL POST FET AMPLIFIER



TRANSISTORS TYPE 2SC732
 DIODES TYPE IN4148
 CAPACITORS TYPE MCI458 CP