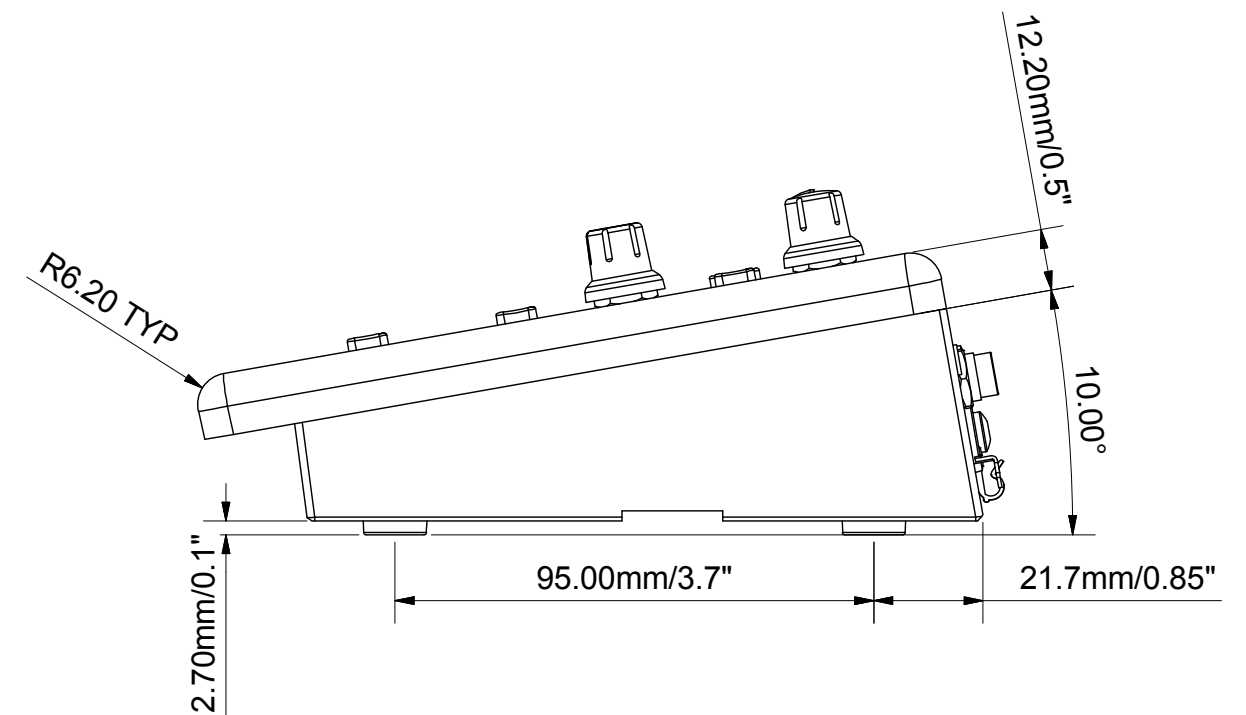
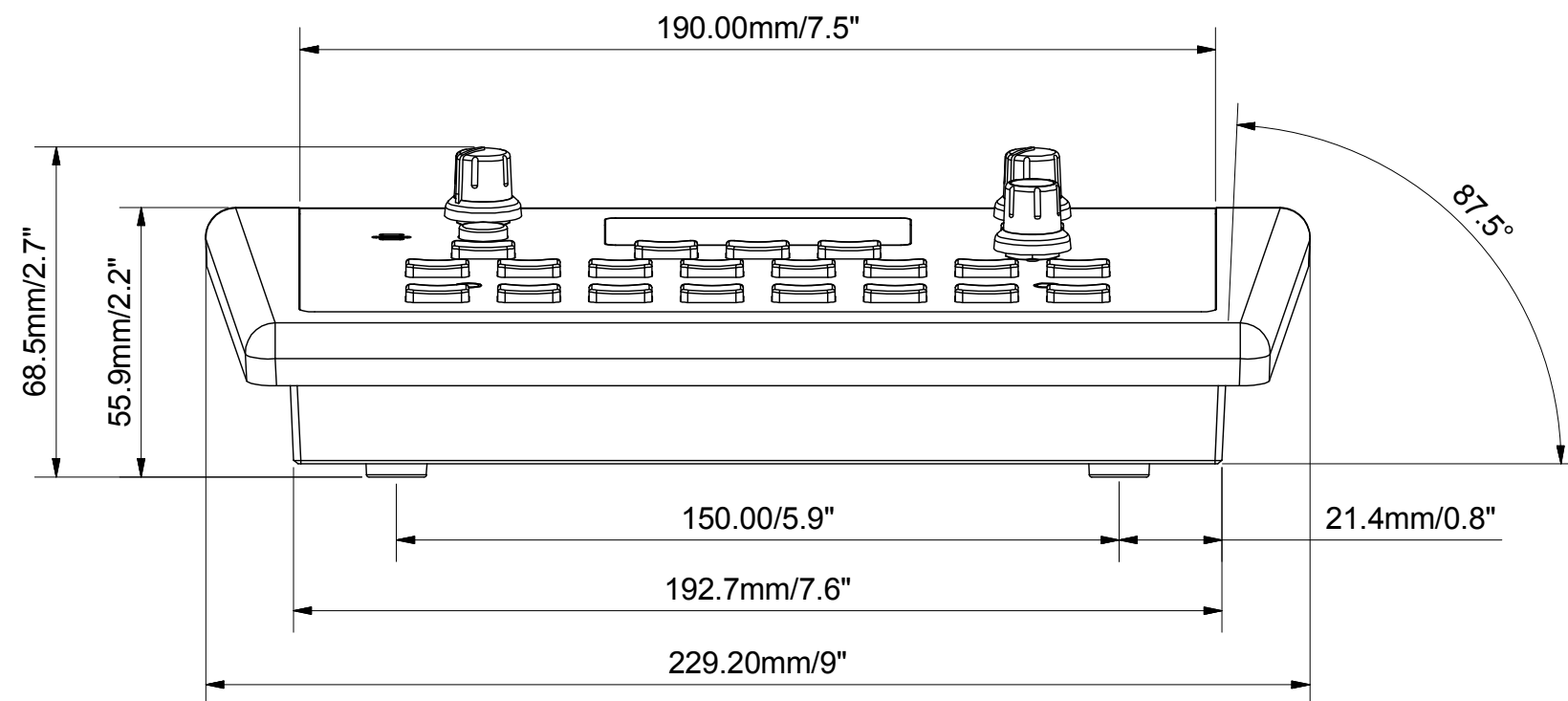
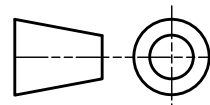


ME-1 - Without box
 Width - 229.2mm/9"
 Depth - 160mm/6.3"
 Height - 68.5mm/2.7"
 Weight - 1.1kg/2.4lbs



THIRD ANGLE PROJECTION



MATERIAL:

All materials to be compliant with The Restriction of Hazardous Substances (ROHS2) Directive 2011/65/EU

TOLERANCES U O S:
 GENERAL ± 0.25 HOLE CENTRES ± 0.10
 HOLE SIZES ± 0.05 ANGULAR DIMS ± 0.50°

FINISH:

DRAWING

ME-1 ASSY

UNIT

ME-1

PART

No 004-382

DRAWING No

ME-1 - Weights and Dims

SHEET

1 of 1

ISSUE

1

ALLEN & HEATH Ltd.

KERNICK INDUSTRIAL ESTATE
 PENRYN CORNWALL TR10 9LU
 TELEPHONE 01326 372070
 FACSIMILE 01326 370153

REVISION HISTORY

REV	DESCRIPTION	ECN	DATE	APPROVED
1	ORIGIN		04/03/2016	ALEXMO