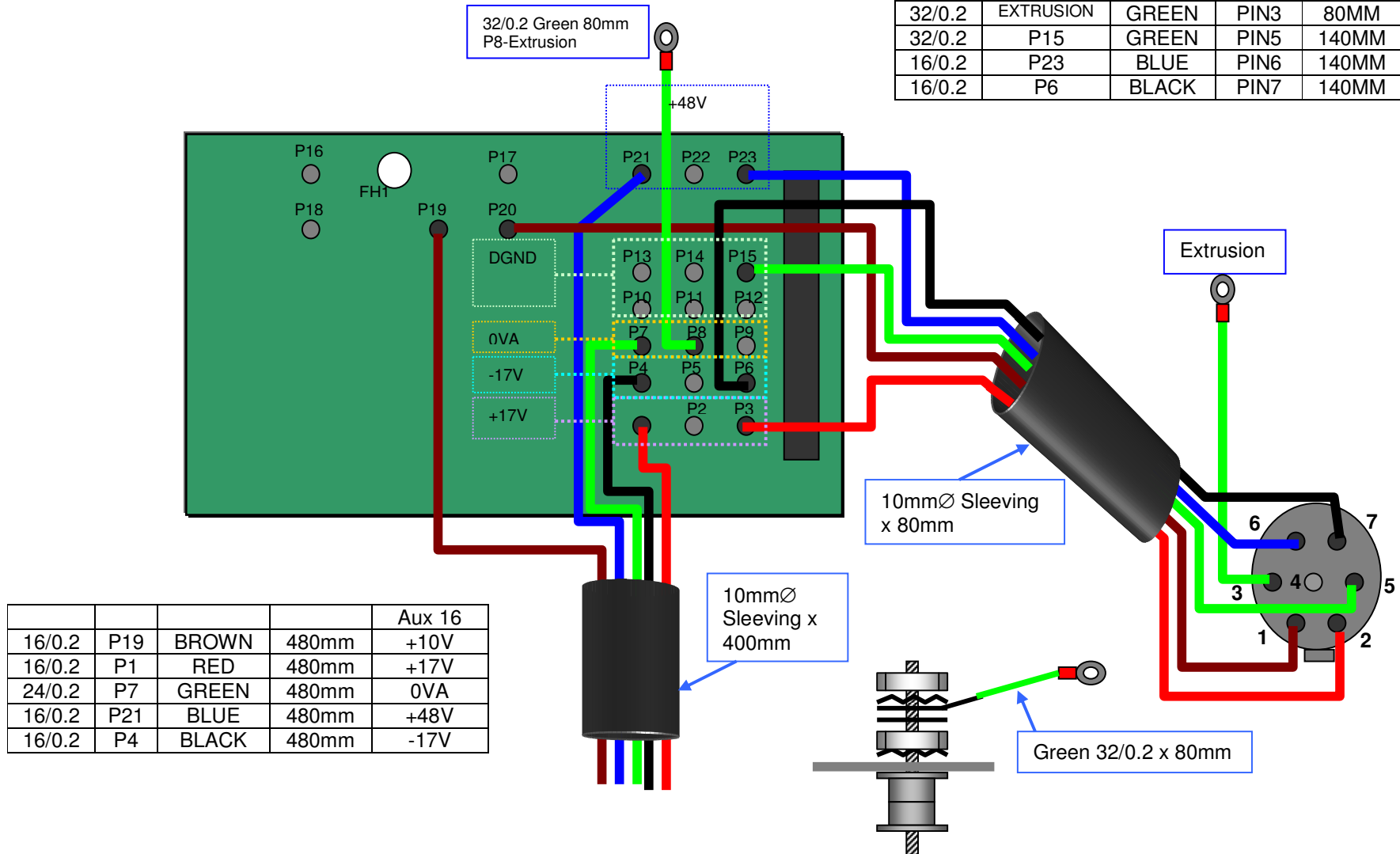


ML4000 D.C. Power Wiring

KV

16/0.2	P20	BROWN	PIN1	140MM
16/0.2	P3	RED	PIN2	140MM
32/0.2	EXTRUSION	GREEN	PIN3	80MM
32/0.2	P15	GREEN	PIN5	140MM
16/0.2	P23	BLUE	PIN6	140MM
16/0.2	P6	BLACK	PIN7	140MM



				Aux 16
16/0.2	P19	BROWN	480mm	+10V
16/0.2	P1	RED	480mm	+17V
24/0.2	P7	GREEN	480mm	0VA
16/0.2	P21	BLUE	480mm	+48V
16/0.2	P4	BLACK	480mm	-17V