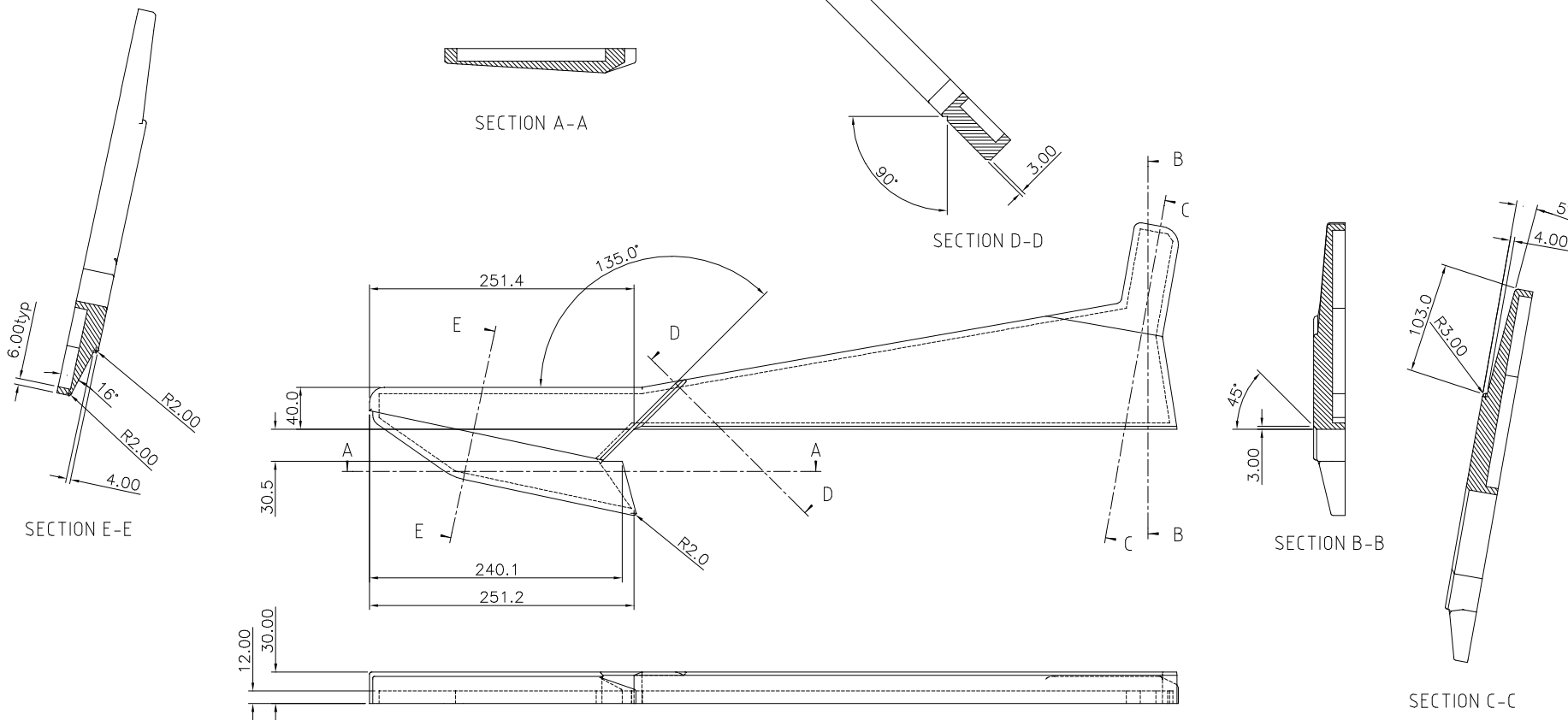


NOTES: ALL PROFILE AND FIXING DIMENSIONS ARE AS SHOWN ON DRAWING M4171.
 THE MOULDING IS TO INCORPORATE A 12.0MM INFILL TO ACCOMMODATE 6.0MM 'T' NUT FIXINGS.
 HANDED PAIR REQUIRED
 INSERTS TO BE FITTED SO AS TO REMAIN FLUSH WITH THE TOP SURFACE OF THE INFILL MATERIAL



ISSUE	REVISION	DRAWN	DATE	TOLERANCES U.O.S.:	MATERIAL:	DRAWING	ALLEN & HEATH
1	PRODUCTION	NM	28-06-00	GENERAL ± 0.25	BAYER SEMI-RIGID	MOULDED SIDE TRIM	KERNICK INDUSTRIAL ESTATE PENRYN CORNWALL TR10 9LU
2	NOTE ADDED	NM	19-01-01	HOLE CENTRES ± 0.10	POLYURETHANE		
				HOLE SIZES ± 0.05	SENATEX GREY		FACSIMILE 01326 375736
				ANGULAR DIMS ± 0.50°	THIRD ANGLE PROJECTION		A HARMAN INTERNATIONAL COMPANY
				ALL DIMENSIONS IN MM U.O.S.		UNIT ML4	DRAWING No M4172 Sheet 1 of 2
						PART No. AA4172-L/R	ISSUE 2