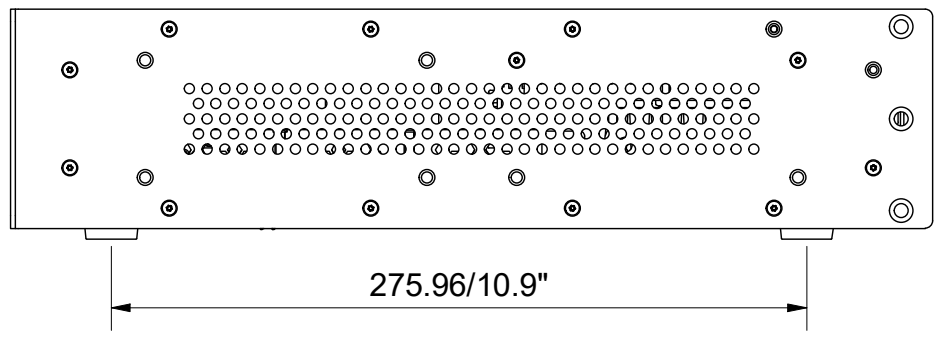
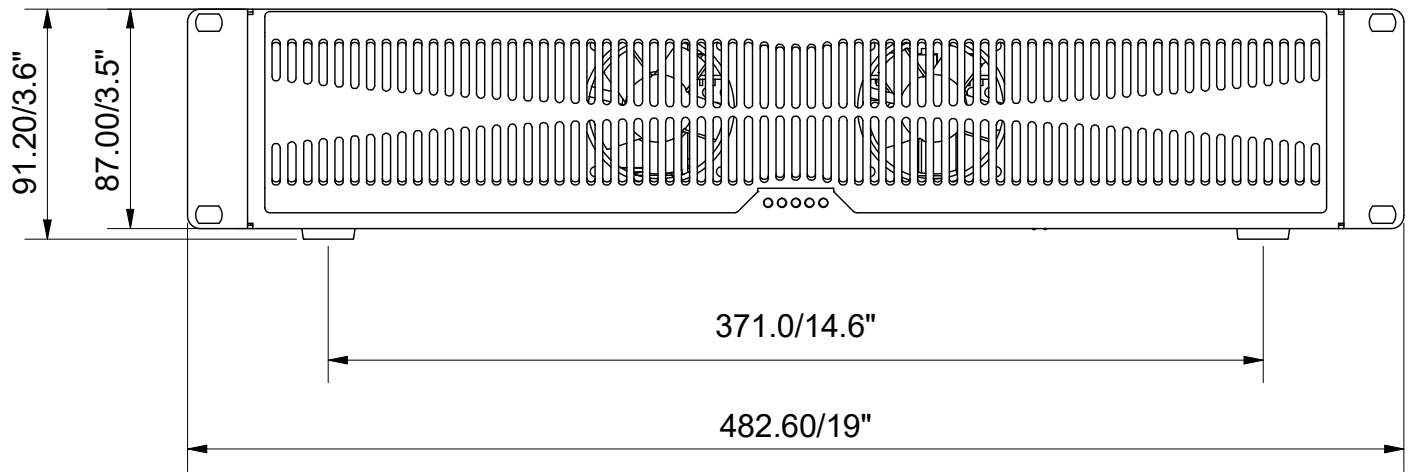
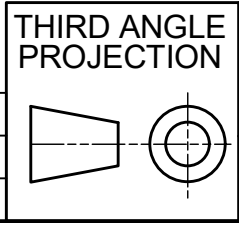


AHM-64 without box
 Width - 482.6mm/19"
 Depth - 364mm/14.3"
 Height - 91.2mm/3.6"
 Weight - 7kg/15.5lbs

AHM-64 with box
 Width - 600/23.6"
 Depth - 500/19.7"
 Height - 180/7.1"
 Weight - 9.5kg/21lbs



REVISION HISTORY				
REV	DESCRIPTION	ECN	DATE	APPROVED
2	Name Updated		31/01/2020	CM



MATERIAL:
 All materials to be compliant with The Restriction of Hazardous Substances (ROHS2) Directive 2011/65/EU

TOLERANCES U O S:
 GENERAL ± 0.25 HOLE CENTRES ± 0.10
 HOLE SIZES ± 0.05 ANGULAR DIMS ± 0.50°

FINISH:

DRAWING
 Main assy

UNIT AHM-64

PART No 007-223

DRAWING No

ALLEN & HEATH Ltd.
 KERNICK INDUSTRIAL ESTATE
 PENRYN CORNWALL TR10 9LU
 TELEPHONE 01326 372070
 FACSIMILE 01326 370153

SHEET
 1 of 1