

DX88-P

Getting Started Guide

The DX88-P is a fixed installation I/O Expander for Allen & Heath 96kHz digital mixing systems. It provides 8 remote controlled mic/line preamps and 8 line outputs. It connects to the mixer over a single Cat5 cable.

A second DX88-P, DX164-W, DX012 or DX168 can be connected via the DX B connection.

The DX88-P can be operated freestanding or rack mounted using the optional DX88-P-RK19/X kit.

- ① Update the mixing system to the latest available version of firmware before connecting the DX Expander. The unit might operate incorrectly when running earlier firmware.

Contents

Check that you have received the following with your DX88-P unit:

- 16 x 3-Way Phoenix Contact Plug
- DC 12V power supply

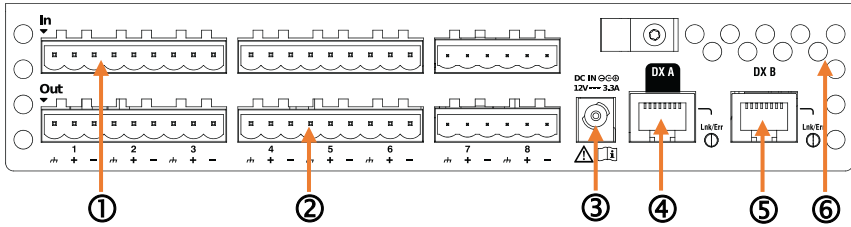
Front panel



- ① **Power** LED indication and **Ready** Indicator.

Ready lights up when the unit is successfully booted and ready to pass audio.

Rear panel



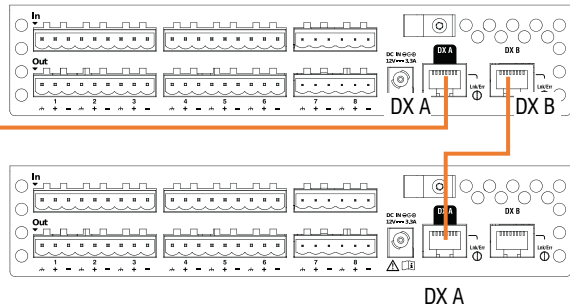
- ① **Inputs** Balanced Phoenix mic/line inputs.
- ② **Output** Balanced Phoenix line outputs.
- ③ **DC Input** DC 12V connector via external PSU.

i Use only the power supply provided with the product (Adapter Tech EDA4012-C14, A&H part code AM13303). The use of a different power supply can cause electrical or fire hazards.

- ④ **DX A** Ethernet port for connection to the mixing system. The cable carries the audio signals as well as preamp control and system status data.
- ⑤ **DX B** Ethernet port for daisy chaining of a second unit.
- ⑥ **Vents** Ensure good ventilation at the sides and back of the unit. Avoid obstruction of vents while operating. Avoid dirt or liquid ingress.

Connection

dLive Surface /
MixRack, DX Hub,
DX Link card,
SLink



Cables

Cat5e or higher STP cable is required for connections, with a maximum cable length of 100m per connection.

① The DX88-P and its network connection are for indoor use only.

Specification

Mic/Line Inputs	Balanced Phoenix, +48V phantom power
Mic/Line Preamp	Fully recallable
Input Sensitivity	-60 to +15dBu
Analogue Gain	+5 to +60dB, 1dB steps
Pad	-20dB Active PAD
Maximum Input Level	+30dBu (PAD in)
Input Impedance	>4k Ω (Pad out), >10k Ω (Pad in)
Mic EIN	-127dB with 150 Ω source

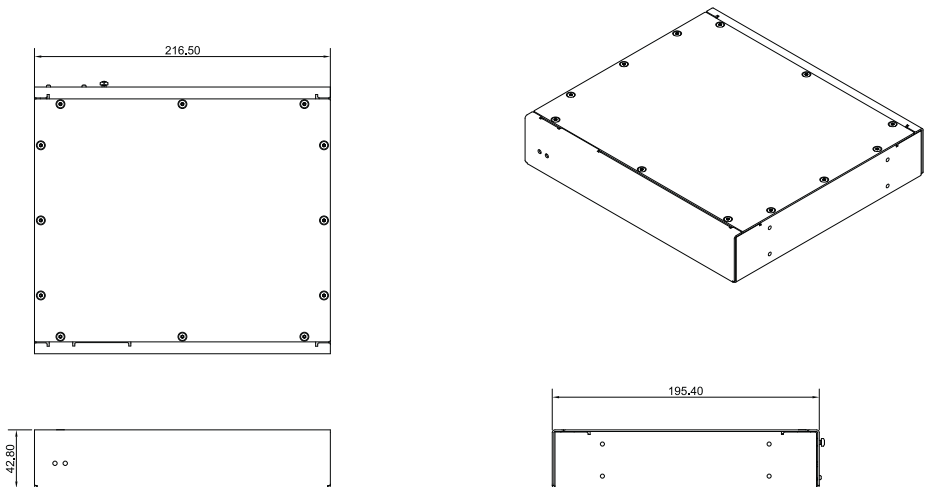
Analogue Outputs	Balanced Phoenix
Output Impedance	<75 Ω
Nominal Output	+4dBu = 0dB meter reading
Maximum Output Level	+21dBu
Residual Output Noise	-92dBu (muted, 20-20kHz) -90dBu (muted, 20-40kHz)

Operating Temperature Range	0°C to 40°C (32°F to 104°F)
------------------------------------	-----------------------------

Power	
DC Input	12V DC via external PSU, 3.3A max
Mains Power Consumption	39.6W max

Dimensions and Weight	<i>Width x Depth x Height x Weight</i>
DX88-P	216.5 x 195.4 x 42.8 mm x 1.51kg (8.5" x 7.7" x 1.7" x 3.33lbs)

Dimensions



Read the Safety Instructions Sheet included with the product and the information printed on the panel before operating.

A limited one year manufacturer's warranty applies to this product, the conditions of which can be found at: www.allen-heath.com/legal

By using this Allen & Heath product and the software within it you agree to be bound by the terms of the relevant End User Licence Agreement (EULA), a copy of which can be found at: www.allen-heath.com/legal

Register your product with Allen & Heath online at: <http://www.allen-heath.com/support/register-product/>

Check the Allen & Heath website for the latest documentation and software updates.

ALLEN&HEATH

Copyright © 2023 Allen & Heath. All rights reserved