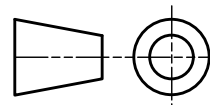


**Qu-SB - Without box**  
 Width - 435.5mm/17.2"  
 Depth - 174.5mm/6.9"  
 Height - 161.8mm/6.4"  
 Weight - 4.5kg/9.9lbs

**Qu-SB - With box**  
 Width - 550mm/21.7"  
 Depth - 270mm/10.6"  
 Height - 270mm/10.6"  
 Weight - 5.75kg/12.7lbs

THIRD ANGLE PROJECTION



MATERIAL:

All materials to be compliant with The Restriction of Hazardous Substances (ROHS2) Directive 2011/65/EU

TOLERANCES U O S:  
 GENERAL ± 0.25 HOLE CENTRES ± 0.10  
 HOLE SIZES ± 0.05 ANGULAR DIMS ± 0.50°

FINISH:

DRAWING

Main ASSY

UNIT

Qu-SB

PART

No 007-176

DRAWING No

Qu-SB Weights and Measures

SHEET

1 of 3

ISSUE

1

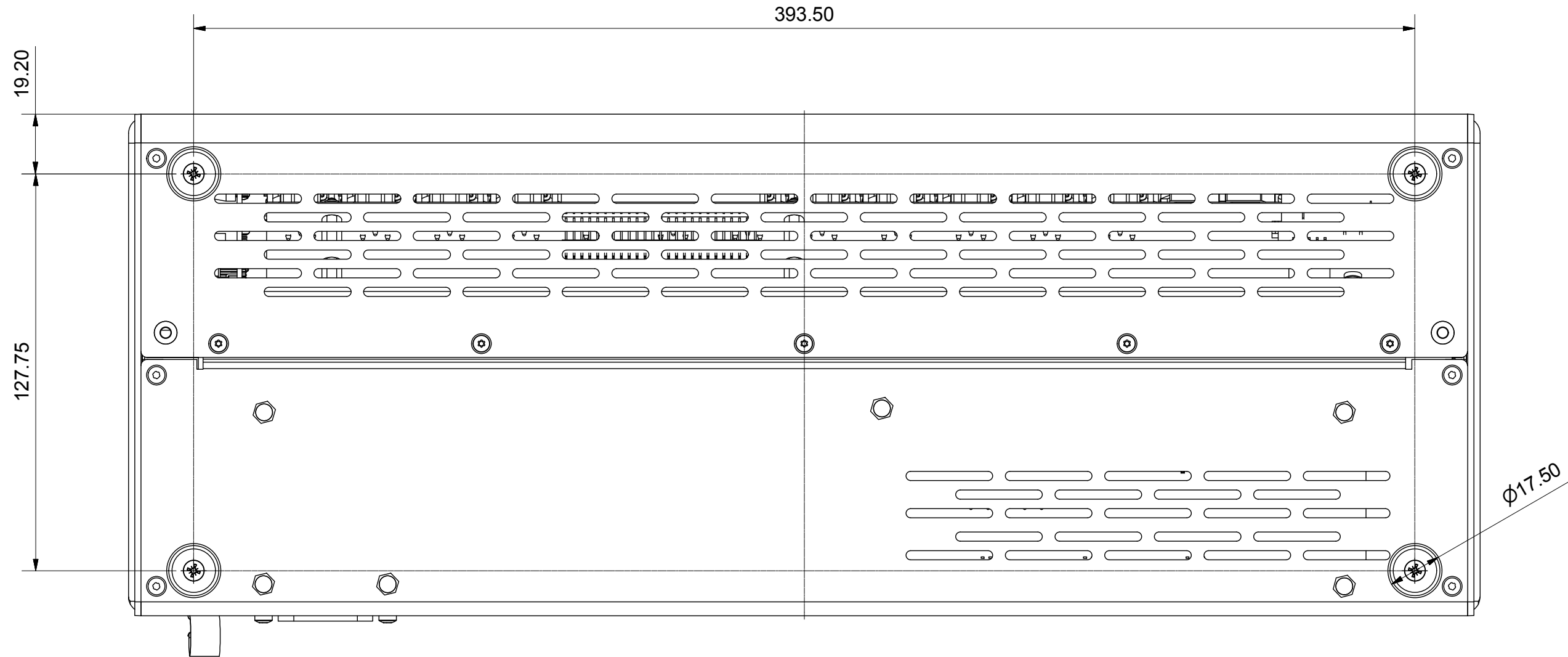
**ALLEN & HEATH Ltd.**

KERNICK INDUSTRIAL ESTATE  
 PENRYN CORNWALL TR10 9LU  
 TELEPHONE 01326 372070  
 FACSIMILE 01326 370153

REVISION HISTORY

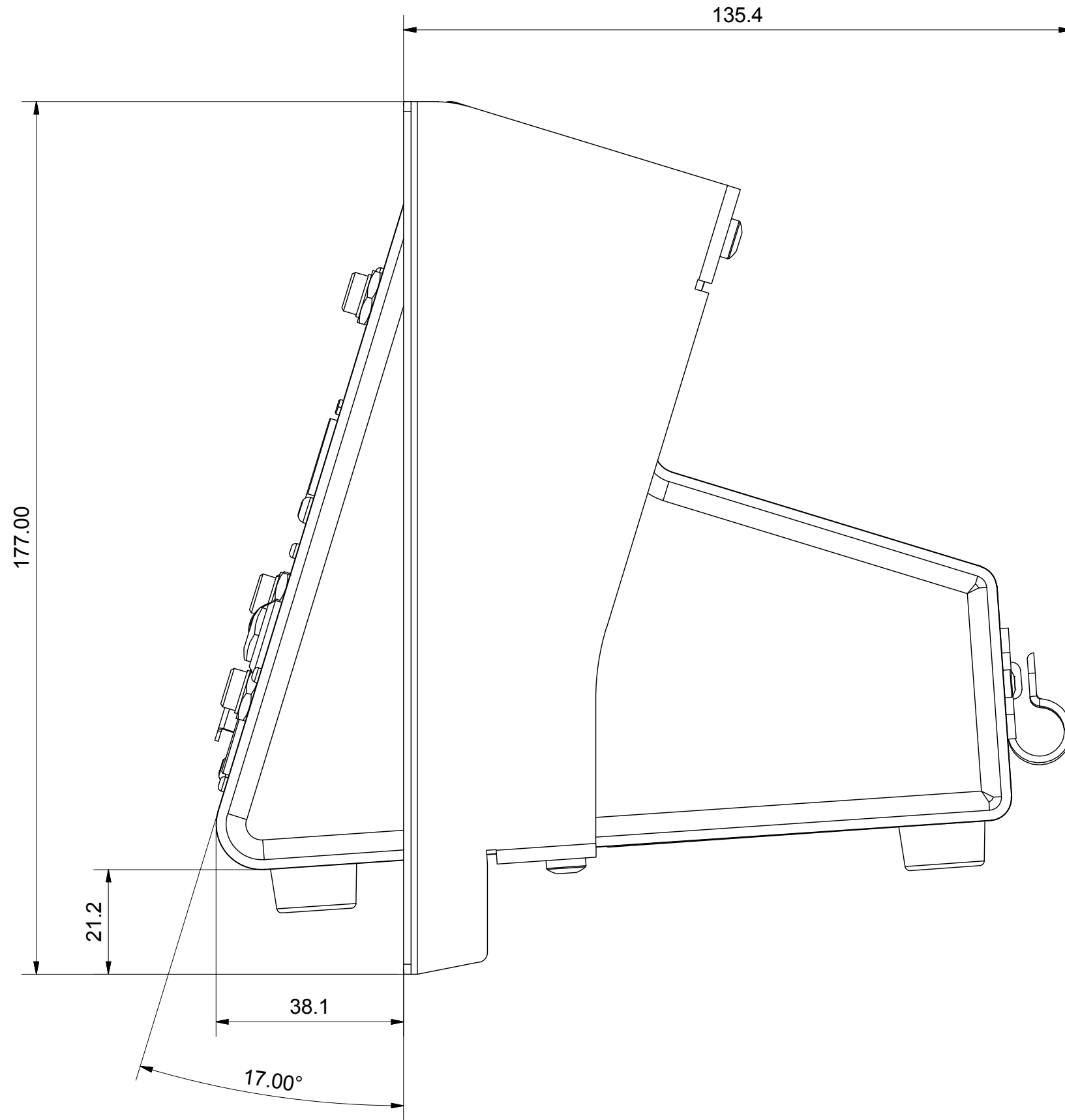
REV	DESCRIPTION	ECN	DATE	APPROVED
1	PRODUCTION		29/01/2016	ALEXMO

# FAST FEET

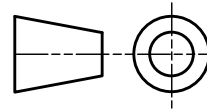


<p>THIRD ANGLE PROJECTION</p>	<p>MATERIAL:</p> <p>All materials to be compliant with The Restriction of Hazardous Substances (ROHS2) Directive 2011/65/EU</p> <p>TOLERANCES U O S:</p> <p>GENERAL ± 0.25 HOLE CENTRES ± 0.10</p> <p>HOLE SIZES ± 0.05 ANGULAR DIMS ± 0.50</p>	<p>FINISH:</p>	<p>DRAWING</p> <p>Main ASSY</p>		<p><b>ALLEN &amp; HEATH Ltd.</b></p> <p>KERNICK INDUSTRIAL ESTATE</p> <p>PENRYN CORNWALL TR10 9LU</p> <p>TELEPHONE 01326 372070</p> <p>FACSIMILE 01326 370153</p>	
			<p>UNIT Qu-SB</p>		<p>PART No 007-176</p>	<p>DRAWING No Qu-SB Weights and Measures</p>

# RACK EARS



THIRD ANGLE  
PROJECTION



MATERIAL:

All materials to be compliant with The Restriction of  
Hazardous Substances (ROHS2) Directive 2011/65/EU

**TOLERANCES U O S:**  
GENERAL ± 0.25 HOLE CENTRES ± 0.10  
HOLE SIZES ± 0.05 ANGULAR DIMS ± 0.50°

FINISH:

DRAWING

Main ASSY

UNIT

Qu-SB

PART

No 007-176

DRAWING No

Qu-SB Weights and Measures

SHEET

3 of 3

ISSUE

1

**ALLEN & HEATH Ltd.**

KERNICK INDUSTRIAL ESTATE  
PENRYN CORNWALL TR10 9LU  
TELEPHONE 01326 372070  
FACSIMILE 01326 370153