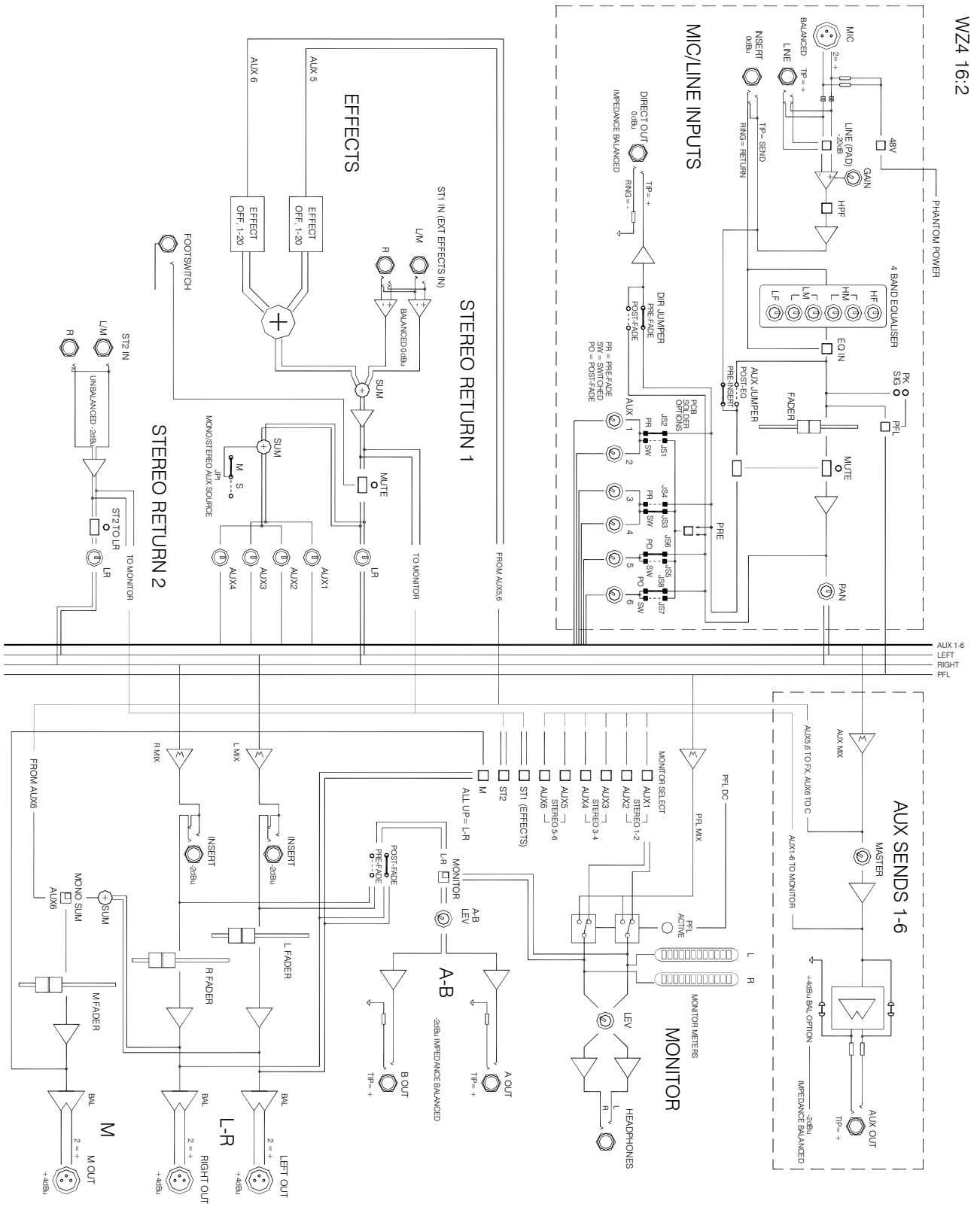


# WZ<sup>4</sup> 16:2 Block Diagram



WZ4 16:2

AUX 1-6  
L/R  
RIGHT  
PFL