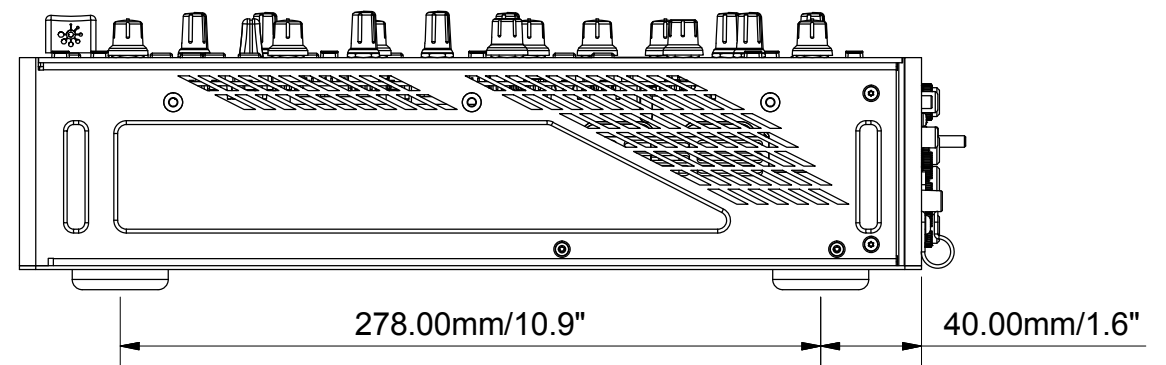
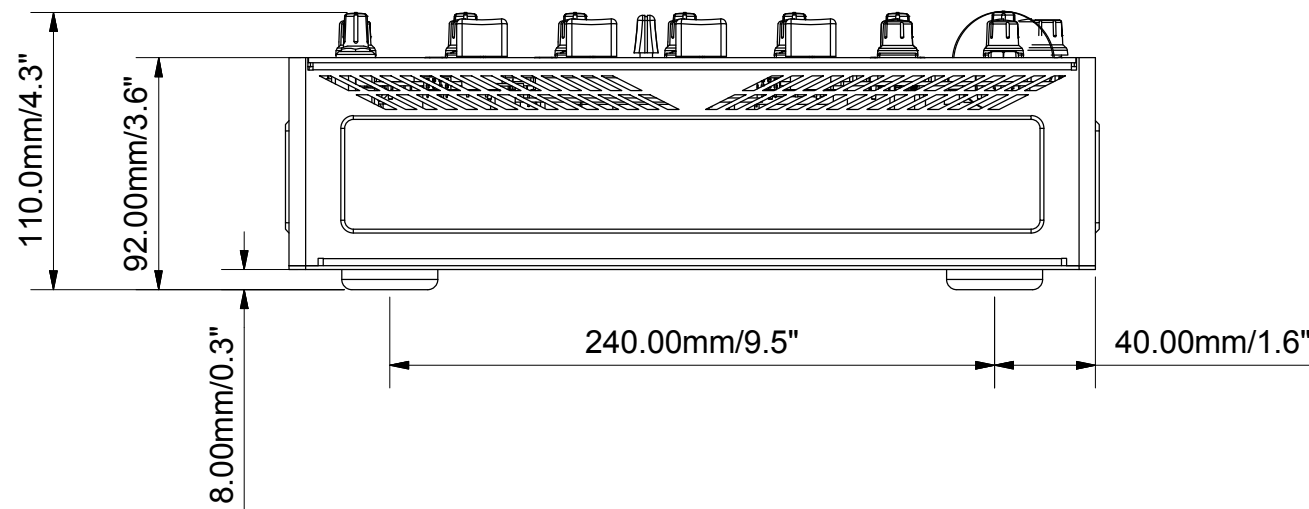
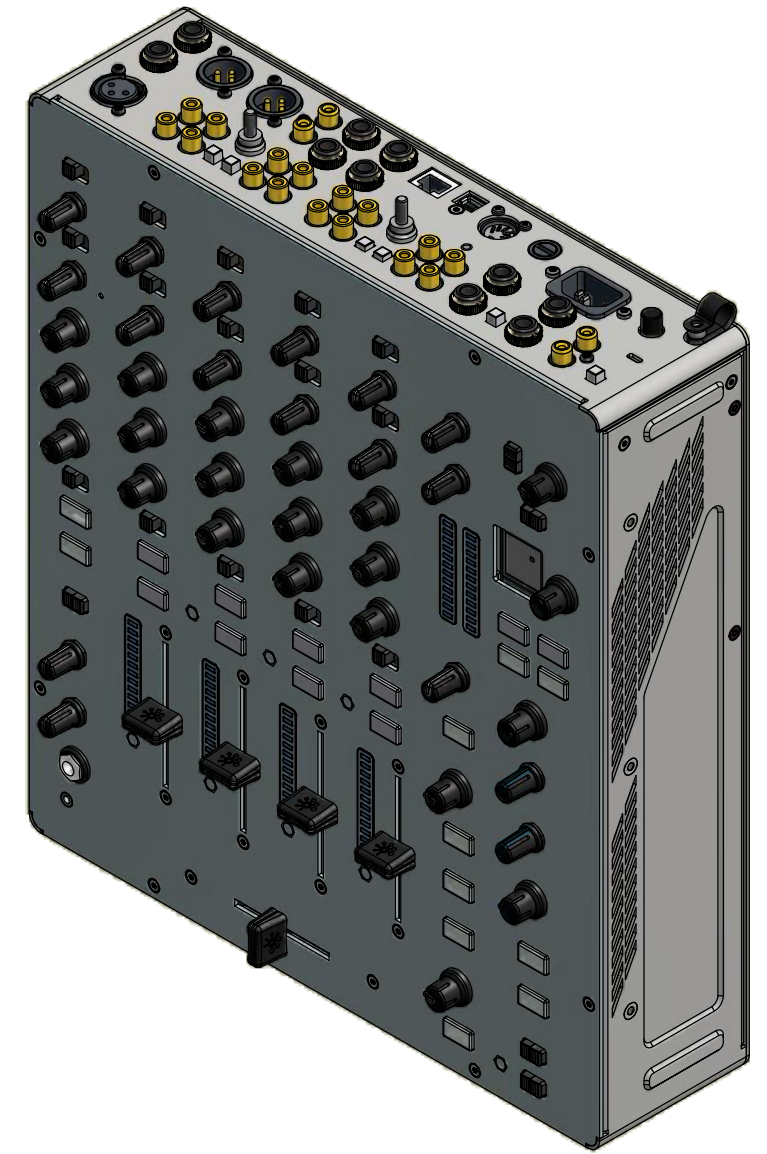


Xone:PX5 - Without box

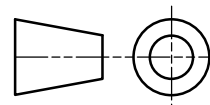
Width - 320mm/12.6"
 Depth - 375.6mm/14.8"
 Height - 110mm/4.3"
 Weight - 5.2kg/11.5lbs

Xone:PX5 - With box

Width - 450mm/17.7"
 Depth - 530mm/20.9"
 Height - 190mm/7.5"
 Weight - 6.6kg/14.6lbs



THIRD ANGLE
 PROJECTION



MATERIAL:

All materials to be compliant with The Restriction of Hazardous Substances (ROHS2) Directive 2011/65/EU

TOLERANCES U O S:
 GENERAL ± 0.25 HOLE CENTRES ± 0.10
 HOLE SIZES ± 0.05 ANGULAR DIMS ± 0.50°

FINISH:

DRAWING
 MAIN ASSY

UNIT Xone:PX5

PART
 No 007-177

DRAWING No
 Xone PX5 Weights and Measures

ALLEN & HEATH Ltd.

KERNICK INDUSTRIAL ESTATE
 PENRYN CORNWALL TR10 9LU
 TELEPHONE 01326 372070
 FACSIMILE 01326 370153

SHEET 1 of 1
 ISSUE 1

REVISION HISTORY

REV	DESCRIPTION	ECN	DATE	APPROVED
1	RELEASED DATA		15/06/2016	ALEXMO