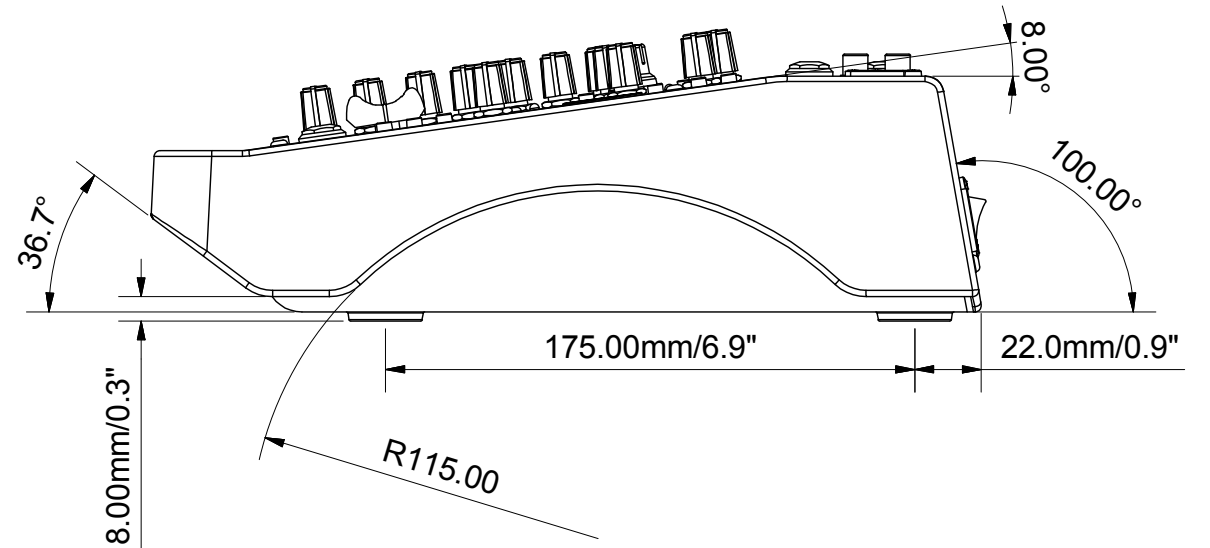
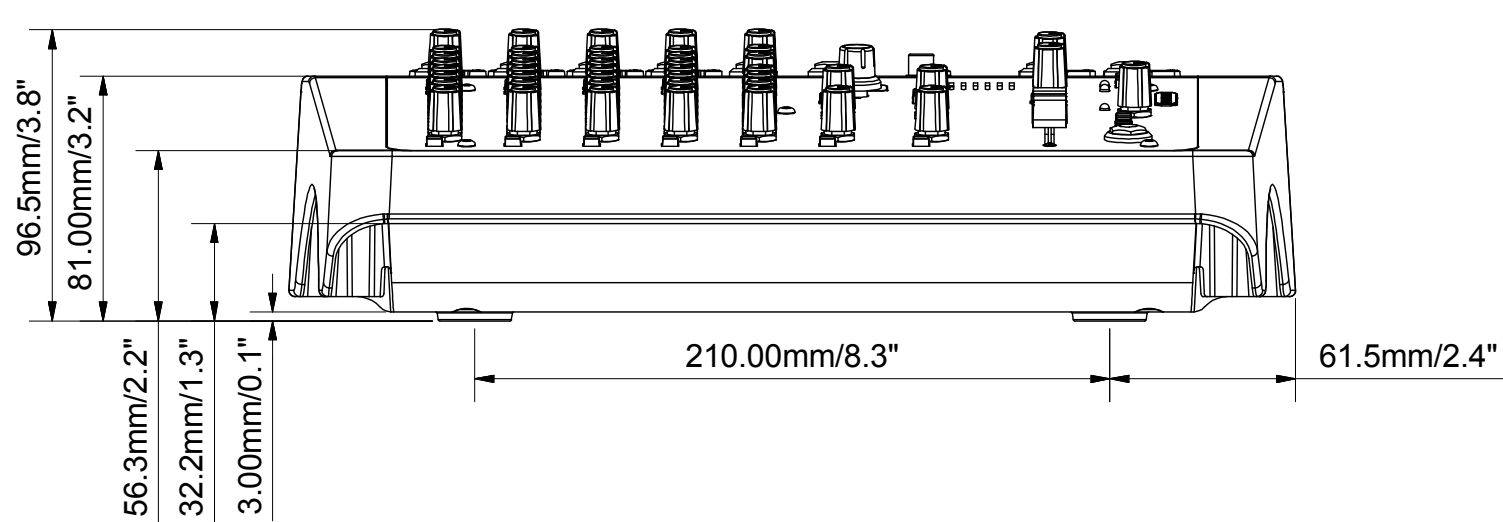


**ZEDi-10FX - Without box**

Width - 332.9mm/13.1"  
 Depth - 274.6mm/10.8"  
 Height - 96.5mm/3.8"  
 Weight - 2.3kg/5.1lbs

**ZEDi-10FX - With box**

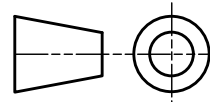
Width - 445mm/17.5"  
 Depth - 328mm/12.9"  
 Height - 138mm/5.4"  
 Weight - 3.1kg/6.8lbs



REVISION HISTORY

REV	DESCRIPTION	ECN	DATE	APPROVED
A	ORIGIN		10/08/2015	ALEXMO

THIRD ANGLE PROJECTION



MATERIAL:

All materials to be compliant with The Restriction of Hazardous Substances (ROHS2) Directive 2011/65/EU

TOLERANCES U O S:  
 GENERAL ± 0.25 HOLE CENTRES ± 0.10  
 HOLE SIZES ± 0.05 ANGULAR DIMS ± 0.50°

FINISH:

DRAWING  
 MAIN ASSY

UNIT ZEDi-10FX

PART  
 No 007-171

DRAWING No  
 Zedi-10FX Weights and Dims

SHEET  
 1 of 1

ISSUE  
 A

**ALLEN & HEATH Ltd.**

KERNICK INDUSTRIAL ESTATE  
 PENRYN CORNWALL TR10 9LU  
 TELEPHONE 01326 372070  
 FACSIMILE 01326 370153