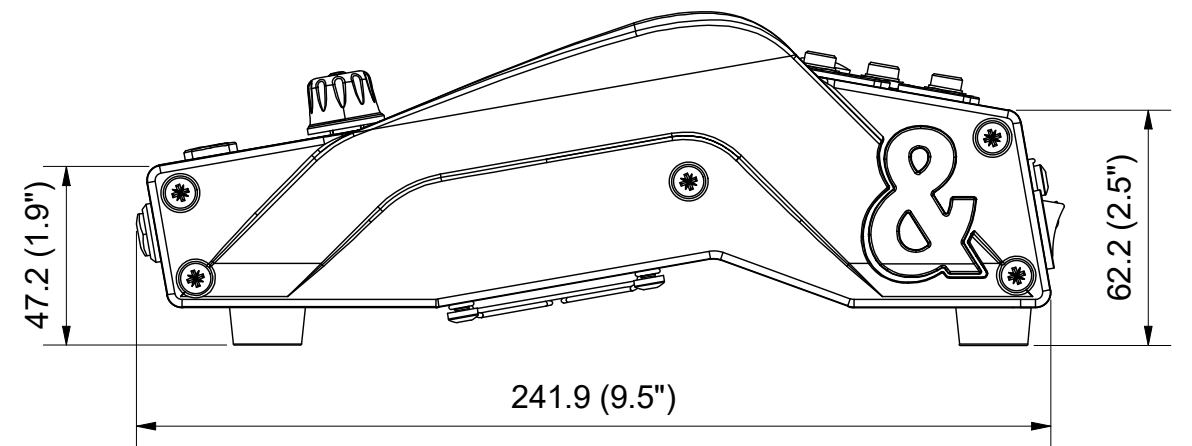
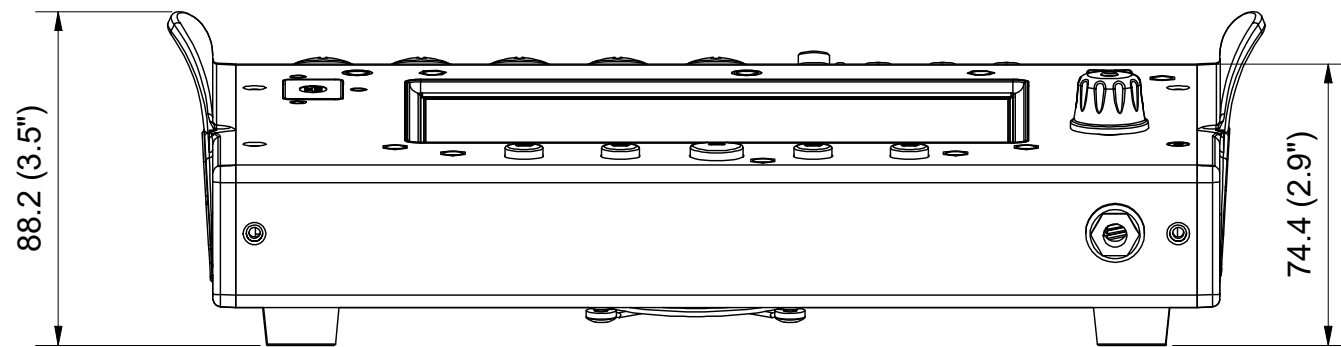


CQ-12T - without box
 Width - 290.4mm/11.4"
 Depth - 241.9mm/9.5"
 Height - 88.2mm/3.5"
 Weight - 2.4kg/5.3lbs

CQ-12T - with box
 Width - 370mm/14.6"
 Depth - 305mm/12"
 Height - 190mm/7.5"
 Weight - 3.2kg/7.05lbs



REVISION HISTORY				
ISSUE	DESCRIPTION	ECN	DATE	APPROVED
1	NAME CHANGE		20/05/2021	ALEXMO

THIRD ANGLE PROJECTION 	MATERIAL:	FINISH:	DRAWING		ALLEN & HEATH Ltd. KERNICK INDUSTRIAL ESTATE PENRYN CORNWALL TR10 9LU TELEPHONE 01326 372070 FACSIMILE 01326 370153
	All materials to be compliant with The Restriction of Hazardous Substances (ROHS2) Directive 2011/65/EU TOLERANCES U O S: GENERAL ± 0.25 HOLE CENTERS ± 0.10 HOLE SIZES ± 0.10 ANGULAR DIMS ± 1.00'		MAIN ASSY		
			UNIT	CQ-12T	
PART No 007-234		DRAWING No Micro S Weights and Dims		SHEET 1 of 1	