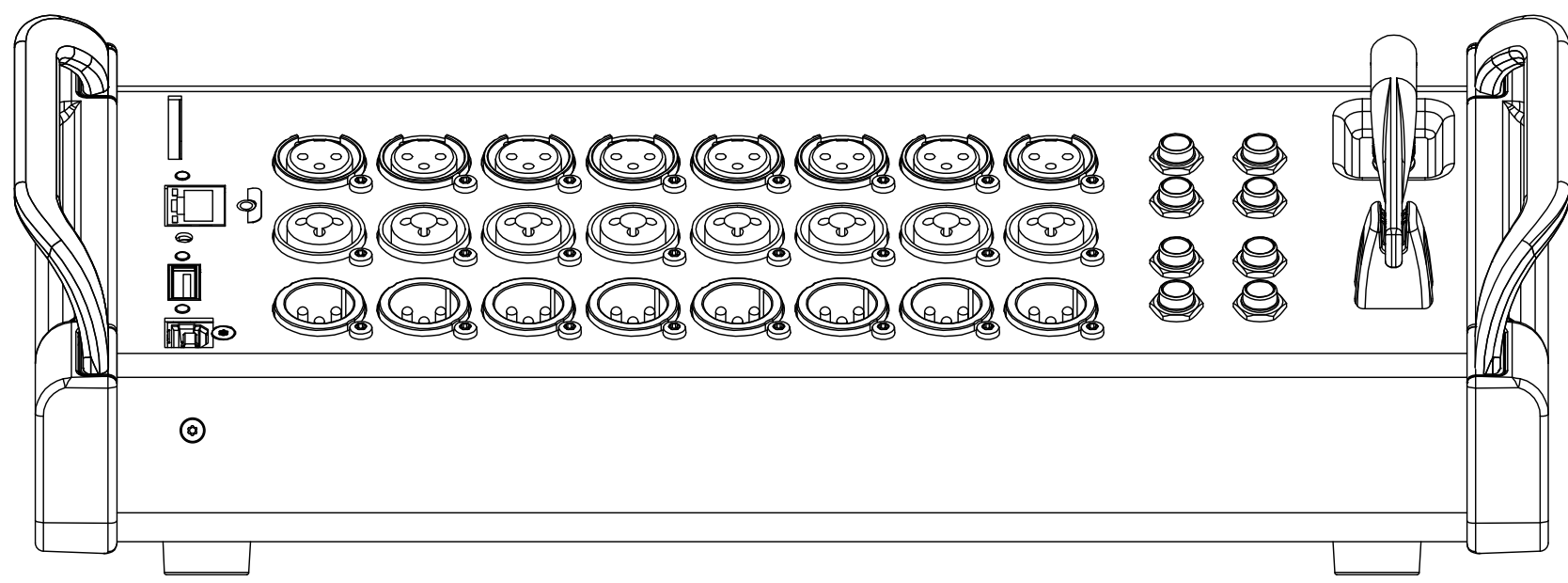
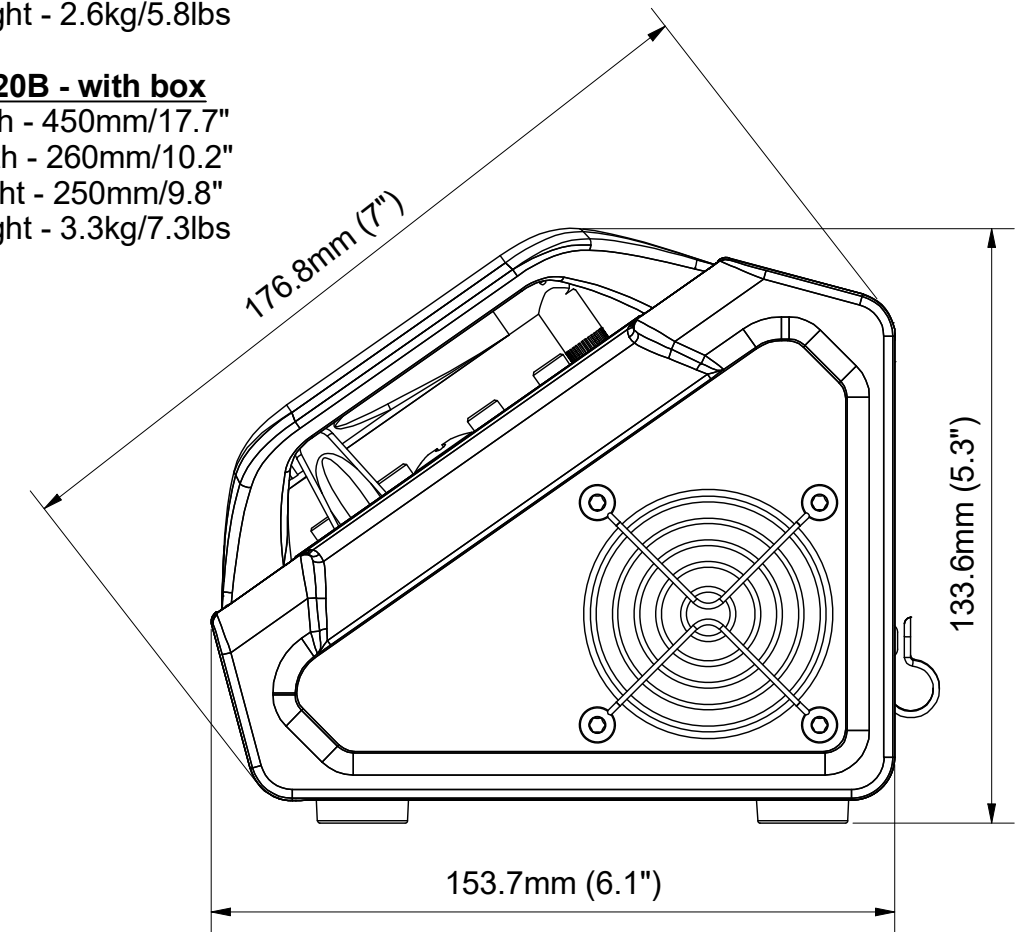


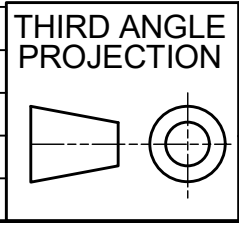
CQ-20B - without box
 Width - 372mm/14.7"
 Depth - 153.7mm/6.1"
 Height - 133.8mm/5.3"
 Weight - 2.6kg/5.8lbs



CQ-20B - with box
 Width - 450mm/17.7"
 Depth - 260mm/10.2"
 Height - 250mm/9.8"
 Weight - 3.3kg/7.3lbs



REVISION HISTORY				
REV	DESCRIPTION	ECN	DATE	APPROVED
A	ORIGIN		16/01/2019	ALEXMO
B	PROTO 2		16/07/2020	ALEXMO
1	NAME UPDATES		24/05/2021	ALEXMO



MATERIAL:
 All materials to be compliant with The Restriction of Hazardous Substances (ROHS2) Directive 2011/65/EU

TOLERANCES U O S:
 GENERAL ± 0.25 HOLE CENTRES ± 0.10
 HOLE SIZES ± 0.05 ANGULAR DIMS ± 0.50'

FINISH:

DRAWING MAIN MINI ASSY	
UNIT CQ-20B	
PART No 004-1245	DRAWING No Mini Weights and Dims MK2

ALLEN & HEATH Ltd.
 KERNICK INDUSTRIAL ESTATE
 PENRYN CORNWALL TR10 9LU
 TELEPHONE 01326 372070
 FACSIMILE 01326 370153

SHEET
1 of 1