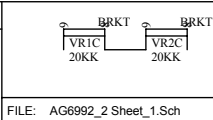


ALLEN&HEATH

Kernick Industrial Estate,
Penryn, Cornwall,
England. TR10 9LU
Tel: +44 (0)1326 372070
Fax: +44 (0)1326 370153

ISSUE	BY	DATE	CHK BY
1	ARJ	21-06-07	



FILE: AG6992_2 Sheet_1.Sch

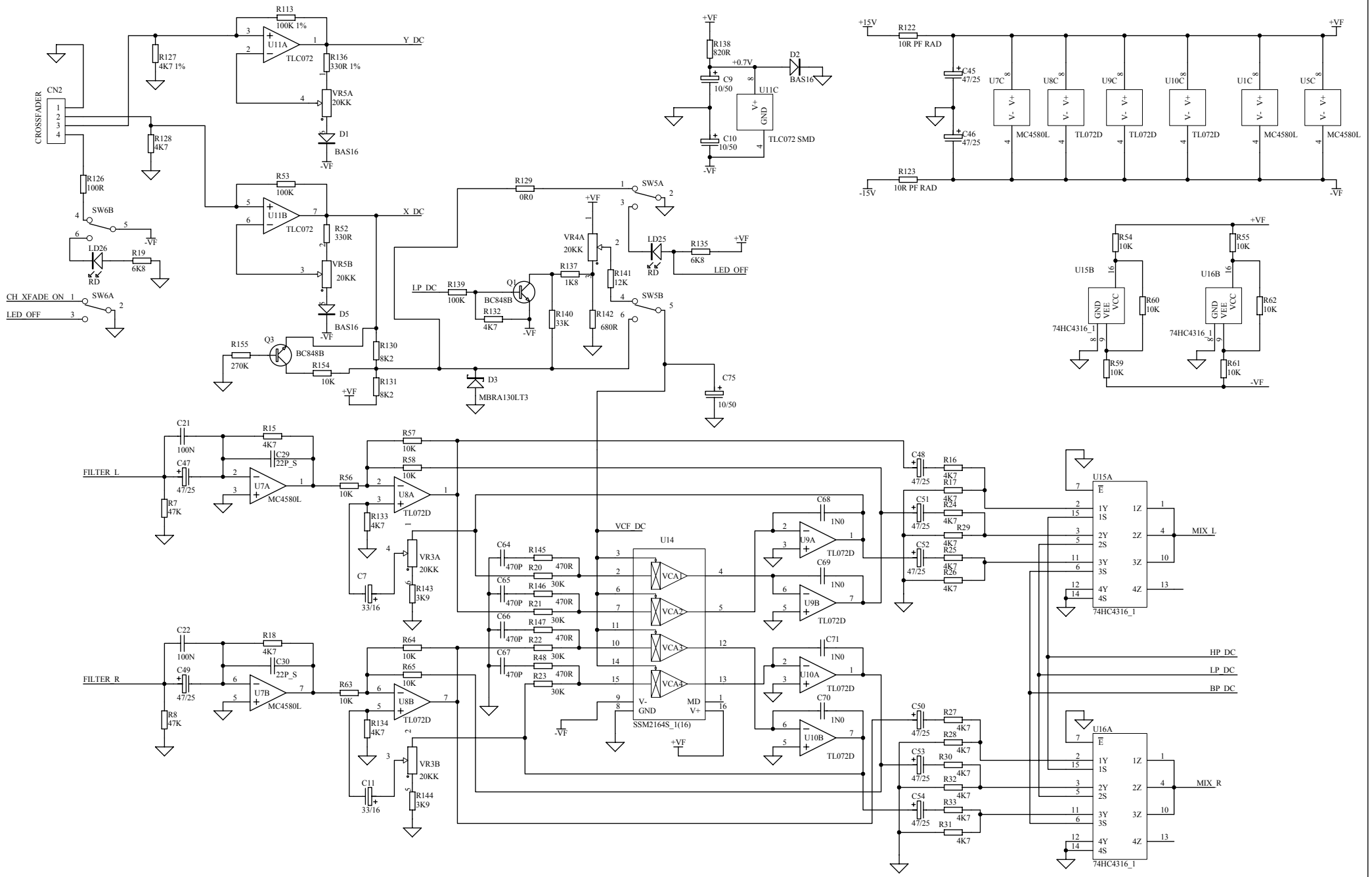
TITLE: XONE 42 MASTER

PAGE:

* All parts to be RoHS Compliant *

DRG No: C6992 ISSUE: 2 SHEET: 1 OF 3

PRINTED: 13:49:03 12-Nov-2007



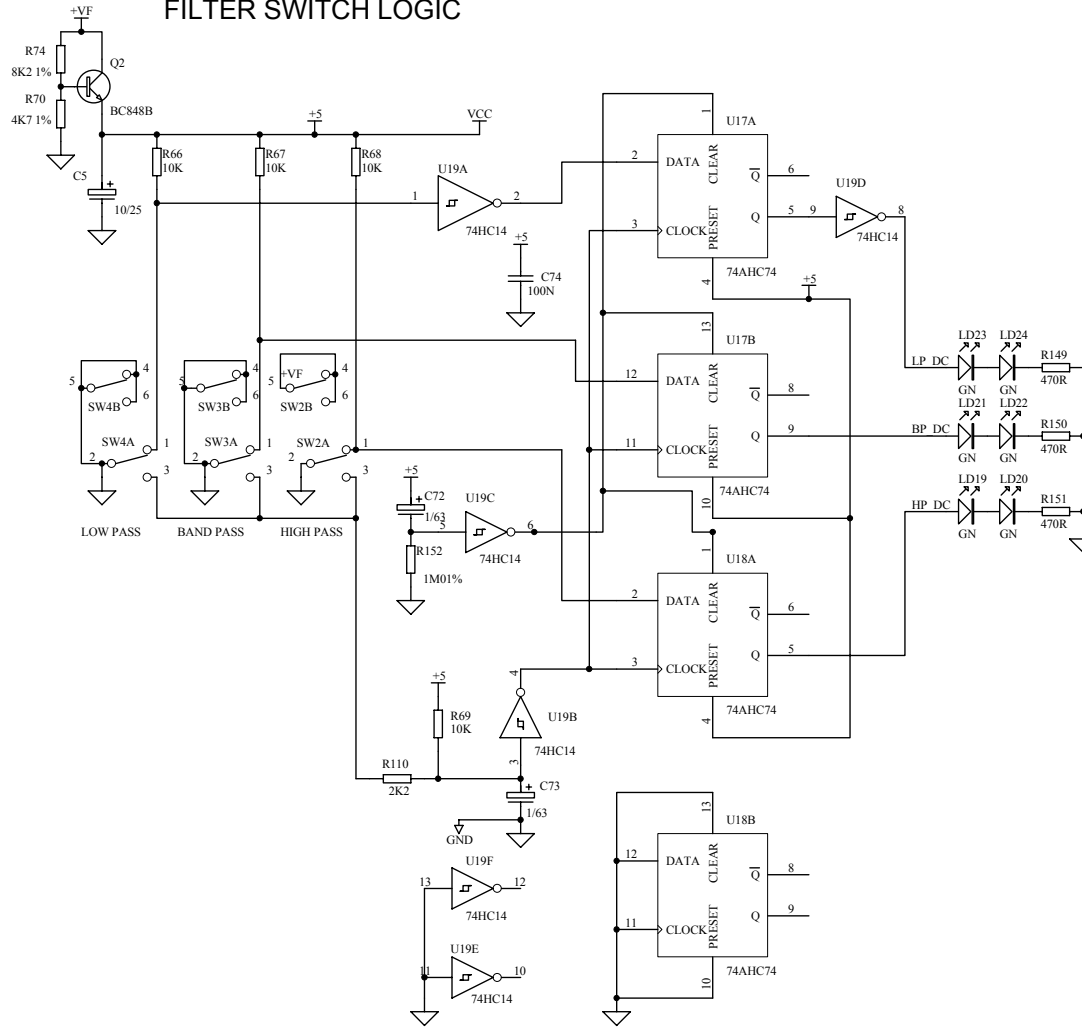
ALLEN&HEATH
 Kernick Industrial Estate,
 Penryn, Cornwall,
 England. TR10 9LU
 Tel: +44 (0)1326 372070
 Fax: +44 (0)1326 370153

ISSUE	BY	DATE	CHK BY
1	ARJ	21-06-07	

FILE: AG6992_2 Sheet_2.Sch		
* All parts to be RoHS Compliant *		
PRINTED: 13:49:04 12-Nov-2007		

TITLE: **XONE 42 MASTER**
 PAGE:
 DRG No: **C6992** ISSUE: 2 SHEET: 2 OF 3

FILTER SWITCH LOGIC



ALLEN&HEATH

Kernick Industrial Estate,
Penryn, Cornwall,
England. TR10 9LU
Tel: +44 (0)1326 372070
Fax: +44 (0)1326 370153

ISSUE	BY	DATE	CHK BY



* All parts to be RoHS Compliant *

FILE: AG6992_2 Sheet_3.Sch

PRINTED: 13:49:04 12-Nov-2007

TITLE: XONE 42 MASTER

PAGE:

DRG No: C6992 ISSUE: 2 SHEET: 3 OF 3

