

ALLEN & HEATH



WARNING – HIGH VOLTAGES

Power Supply Unit (PSU) work should only be carried out by qualified personnel.

We recommend that you use an approved Allen & Heath service centre for all power supply work.

Please contact your local Allen & Heath distributor for more details.

<http://www.allen-heath.com/>

Allen & Heath's stereo 21 SERIES

S C H E M A T I C S

Allen & Heath's exciting range of compact stereo mixers – the 21 SERIES. Stylish in looks and superb in performance, these four models offer outstanding value for money.

Available in 6, 12, 18 and 24 input versions, the 21 SERIES boasts the useful feature of a separate mono output derived from the main stereo mix.

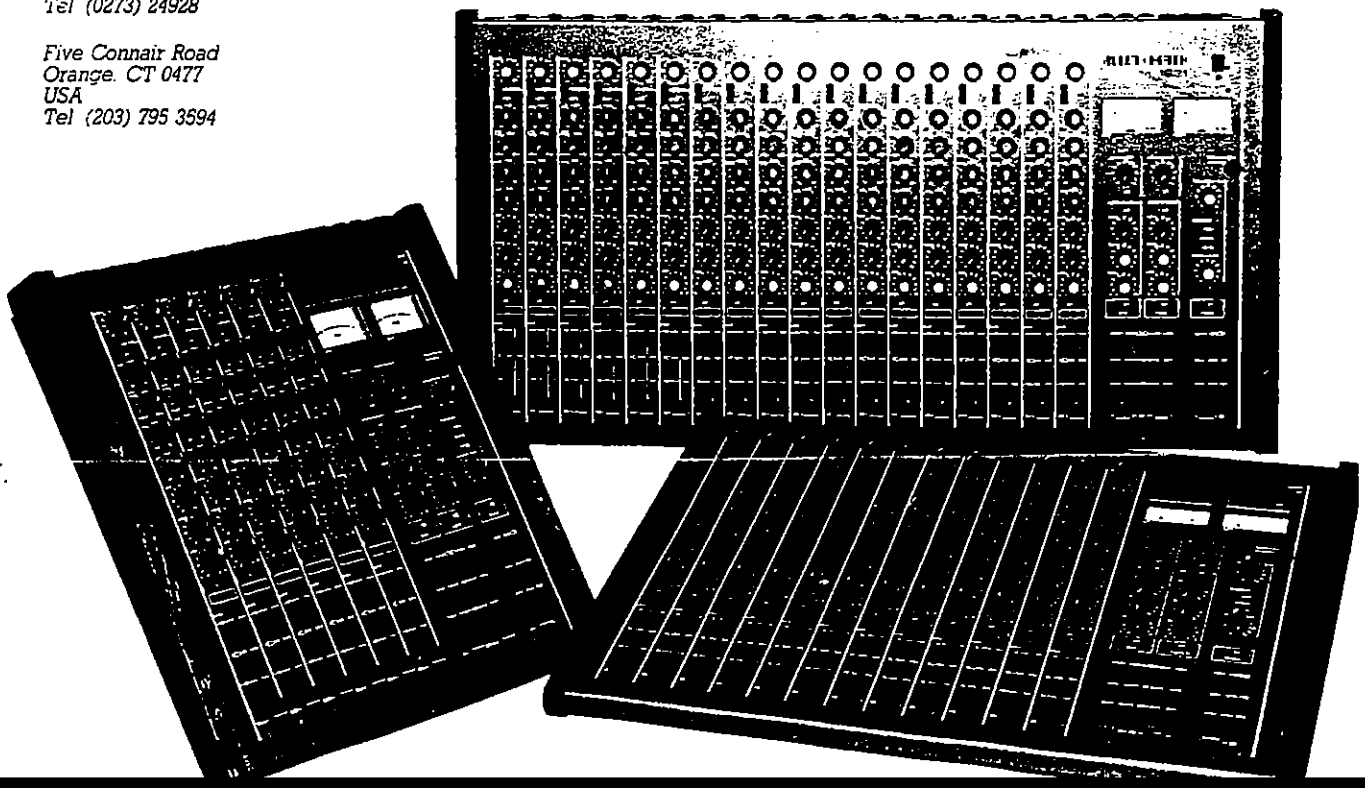
Another Plus is the incorporation of an extensive interface facility to ensure accurate compatibility with external equipment, and enables two or more mixers to be linked together for single flexible operation. A separate power supply unit keeps nasty hum fields at bay, letting the sound come through clean and clear.

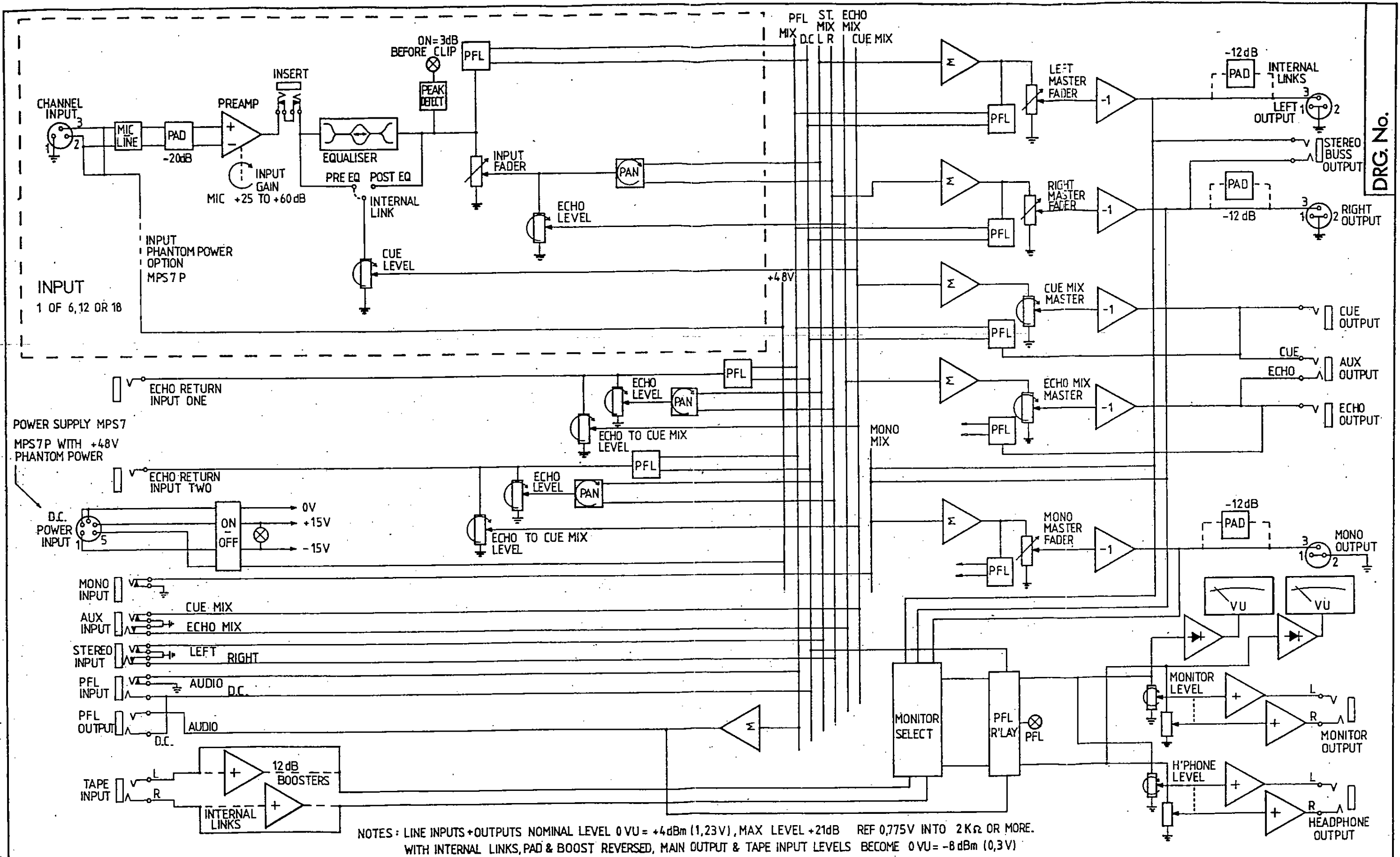
The 21 SERIES Stereo Mixers by Allen & Heath are available now.

AHB
ALLEN AND HEATH BRENNELL LTD

69 Ship Street
Brighton BN1 1AE
England
Tel (0273) 24928

Five Connair Road
Orange, CT 0477
USA
Tel (203) 795 3594





DRG No.

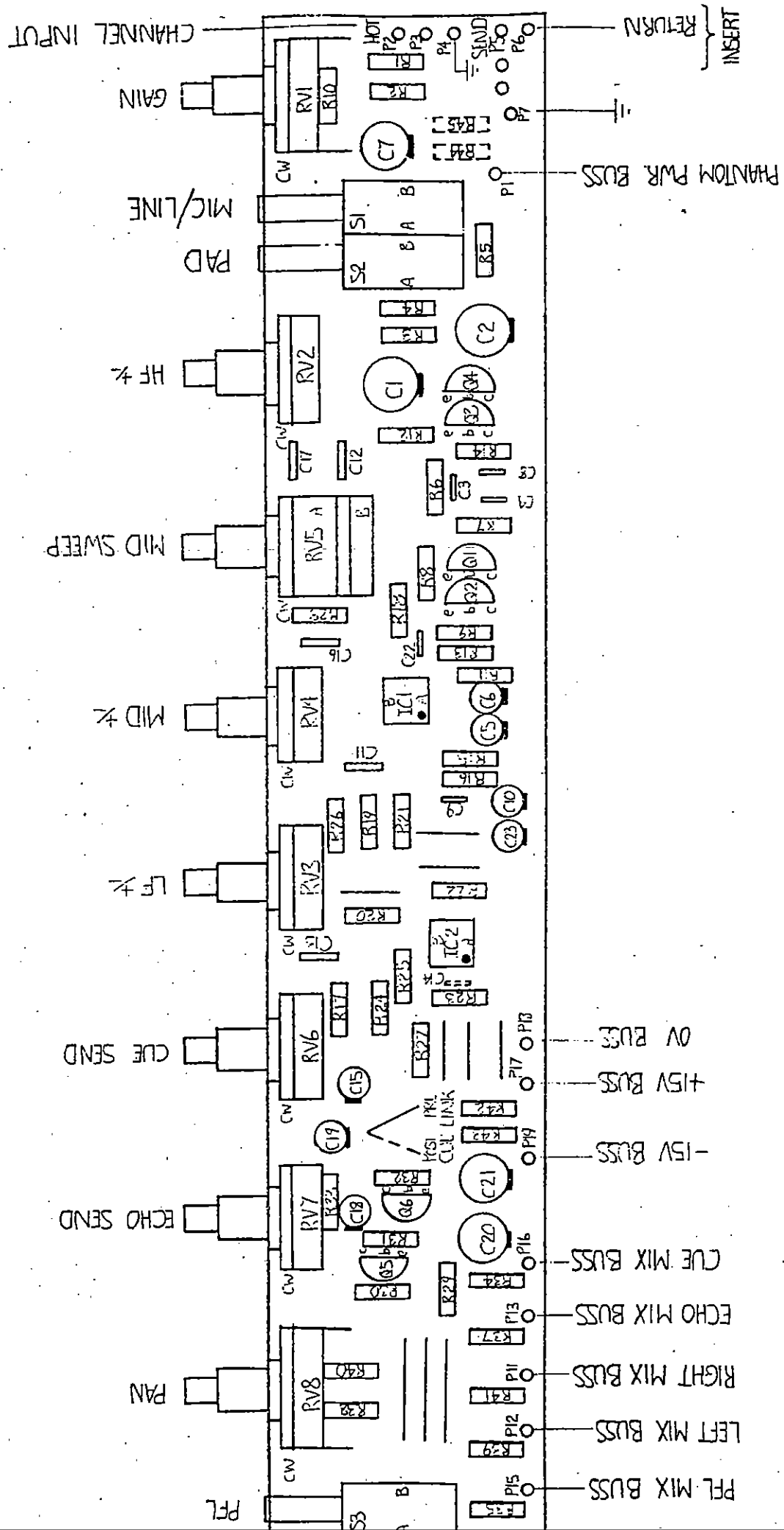
No.	DESCRIPTION	CHKD	APPD	DATE

AHB 21 SERIES SYSTEM SCHEMATIC

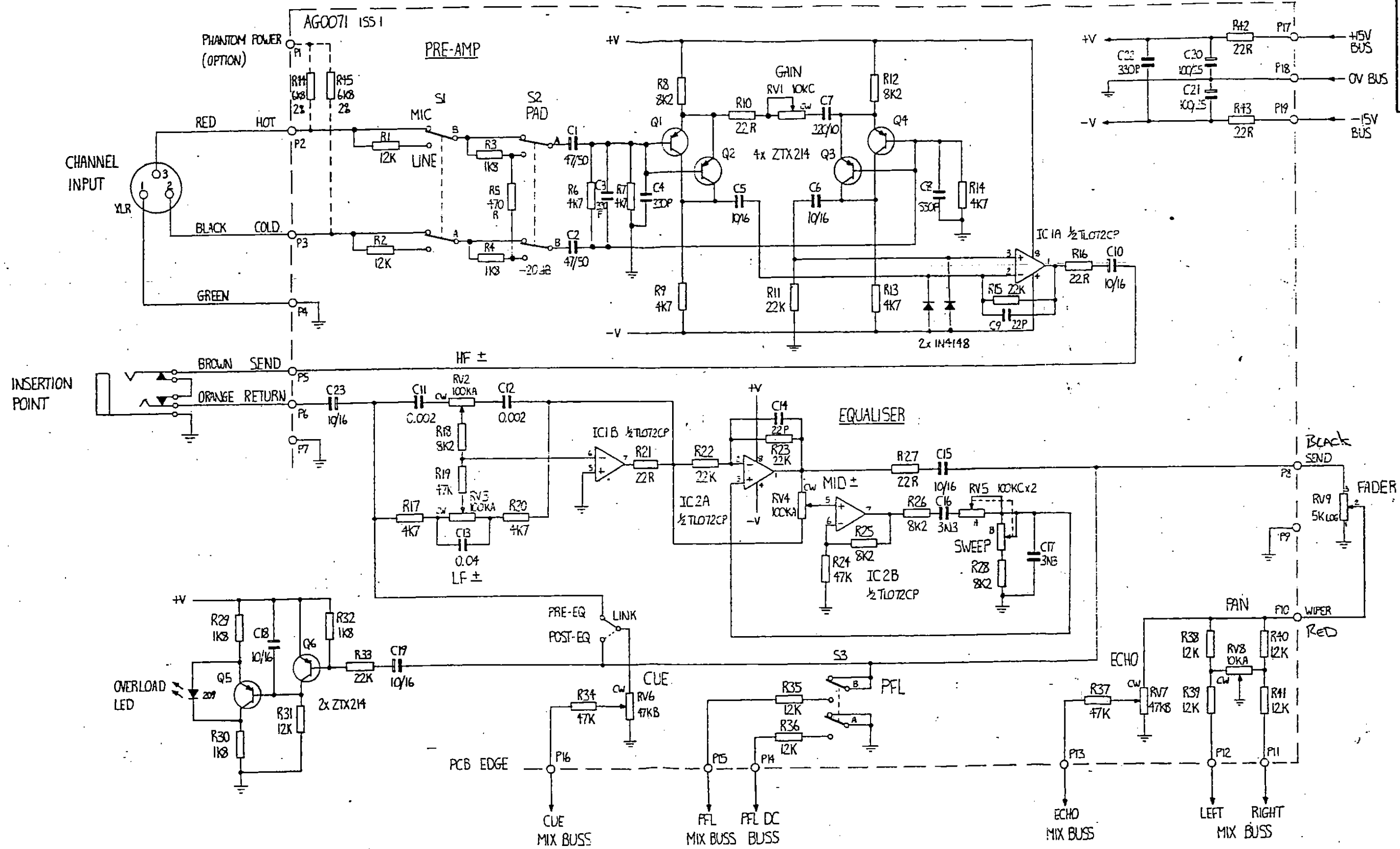
SIX INPUT 621

DRAWN	TRACED	CHECKED	APPROVED	DATE	SCALE
R	MA				

DRAWING No. 158



GENERAL ARRANGEMENT - 21 SERIES INPUT PCB TYPE AG0071 ISSUE 1 CD 9-9-82



AHB 21 SERIES INPUT CIRCUITS - PCB TYPE AG0071 ISSUE 1

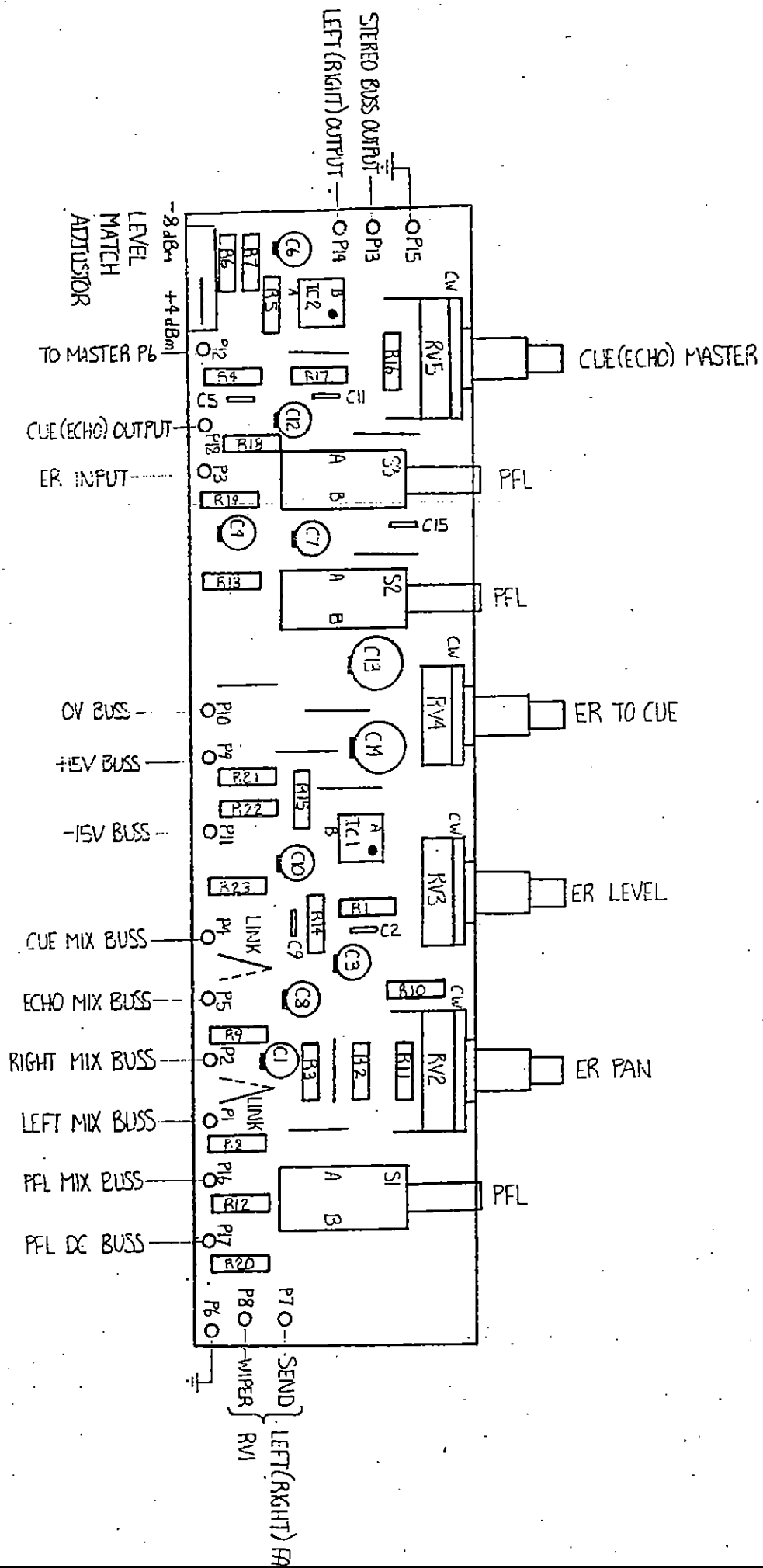
ISSUE 2	CP	25-10-83
No.	DESCRIPTION	CHKD APPD. DATE

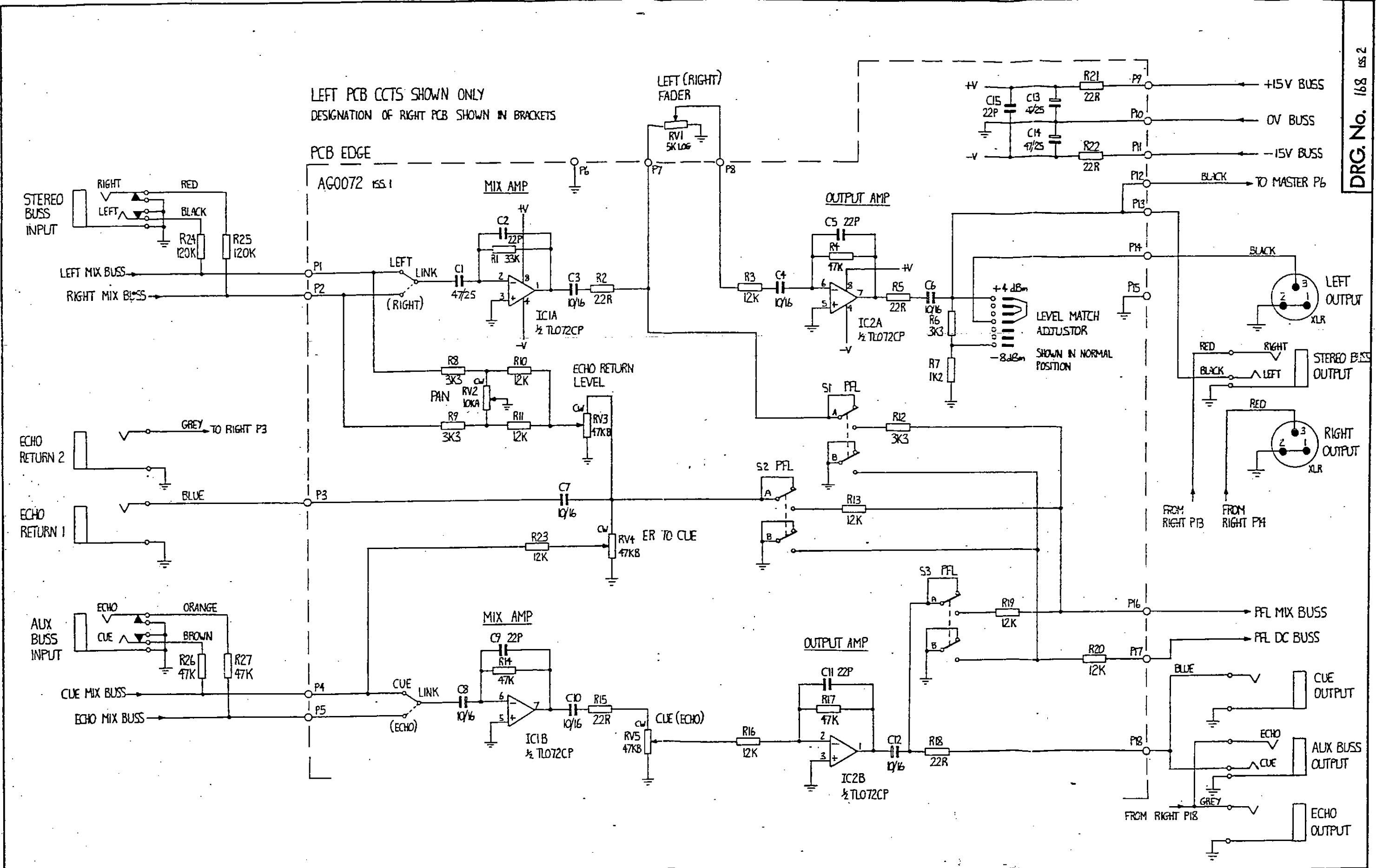
DRAWN	TRACED	CHECKED	APPROVED	DATE	SCALE
CP			[Signature]	27-8-82	

DRAWING No. 167

GENERAL ARRANGEMENT — 21 SERIES OUTPUT PCB TYPE AG0072 ISSUE 1

CD-9-9-82

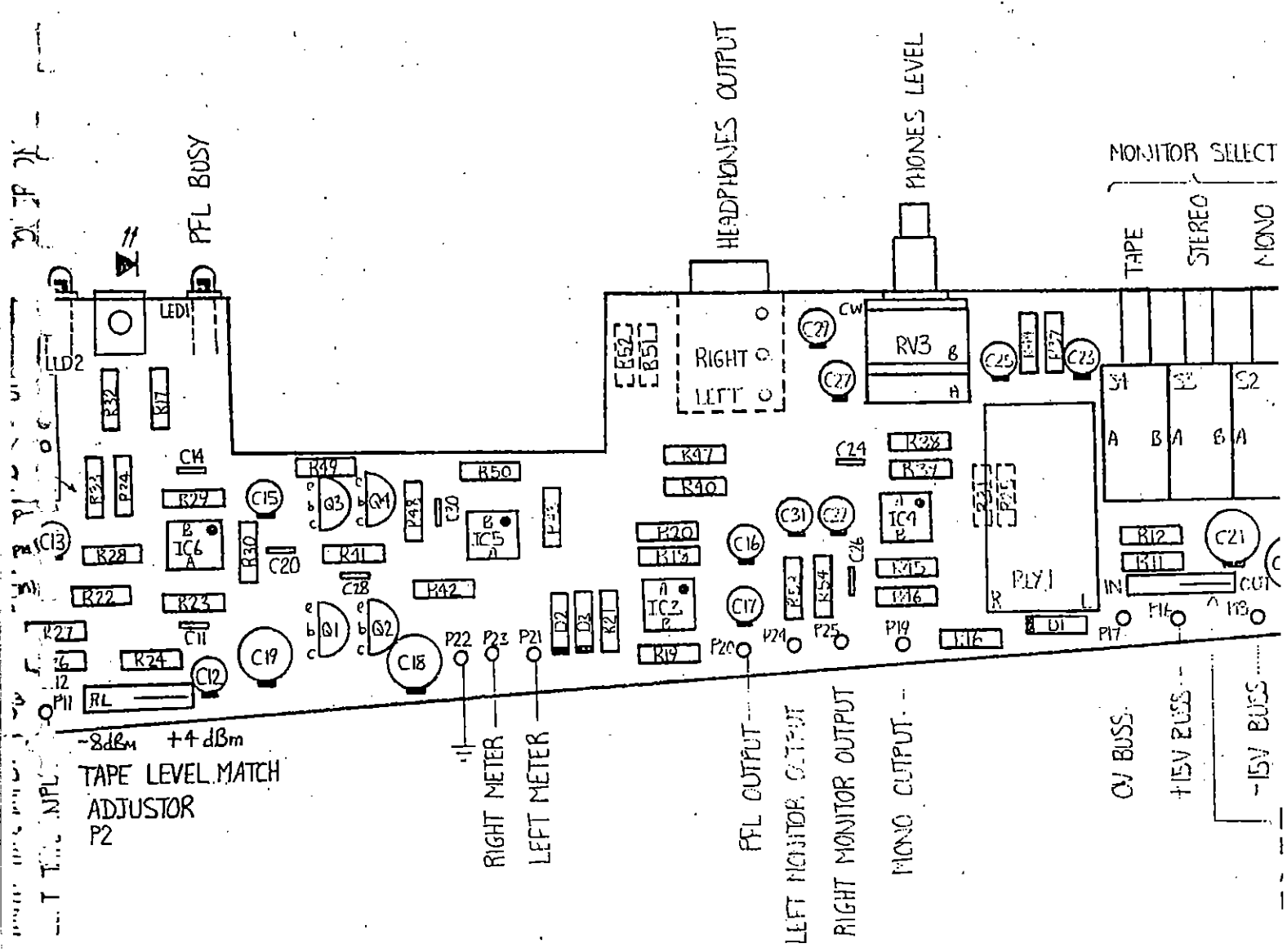




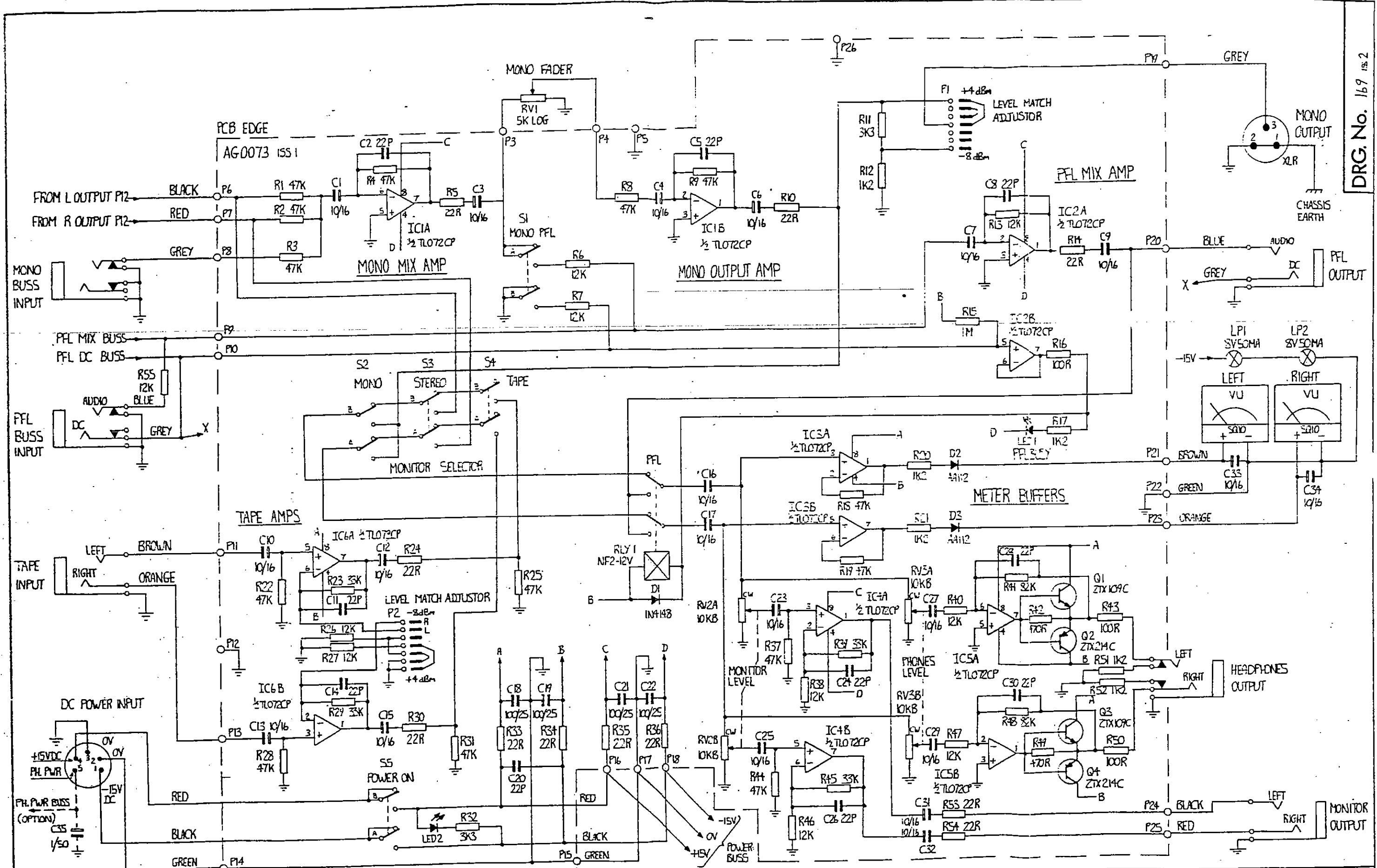
No.	DESCRIPTION	CHKD	APPD.	DATE

AHB 21 SERIES OUTPUT CIRCUITS — PCB TYPE AG0072 ISSUE 1

DRAWN	TRACED	CHECKED	APPROVED	DATE	SCALE
				27-8-82	



GENERAL ARRANGEMENT — 21 SERIES MASTER PCB TYPE AG0073 ISSUE 1



AHB 21 SERIES MASTER CIRCUITS - PCB TYPE AG0073 ISSUE 1

ISSUE 2	CHKD	APPD	DATE
No.			
DESCRIPTION			

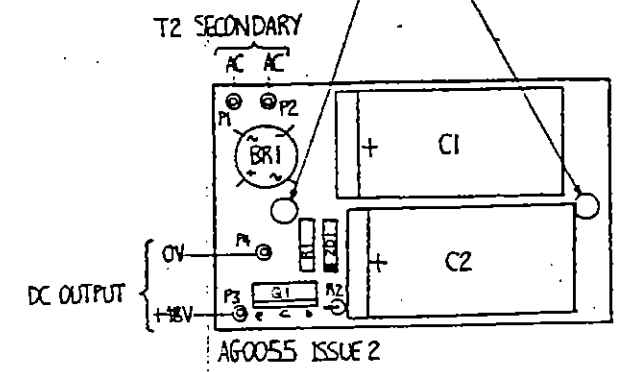
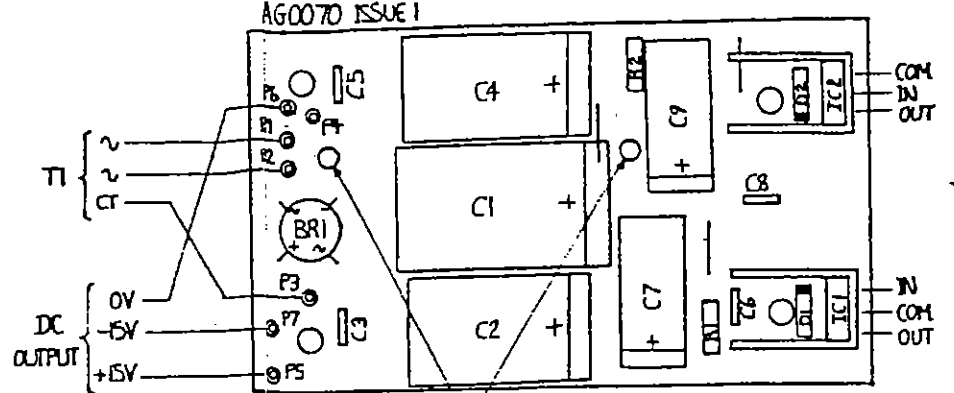
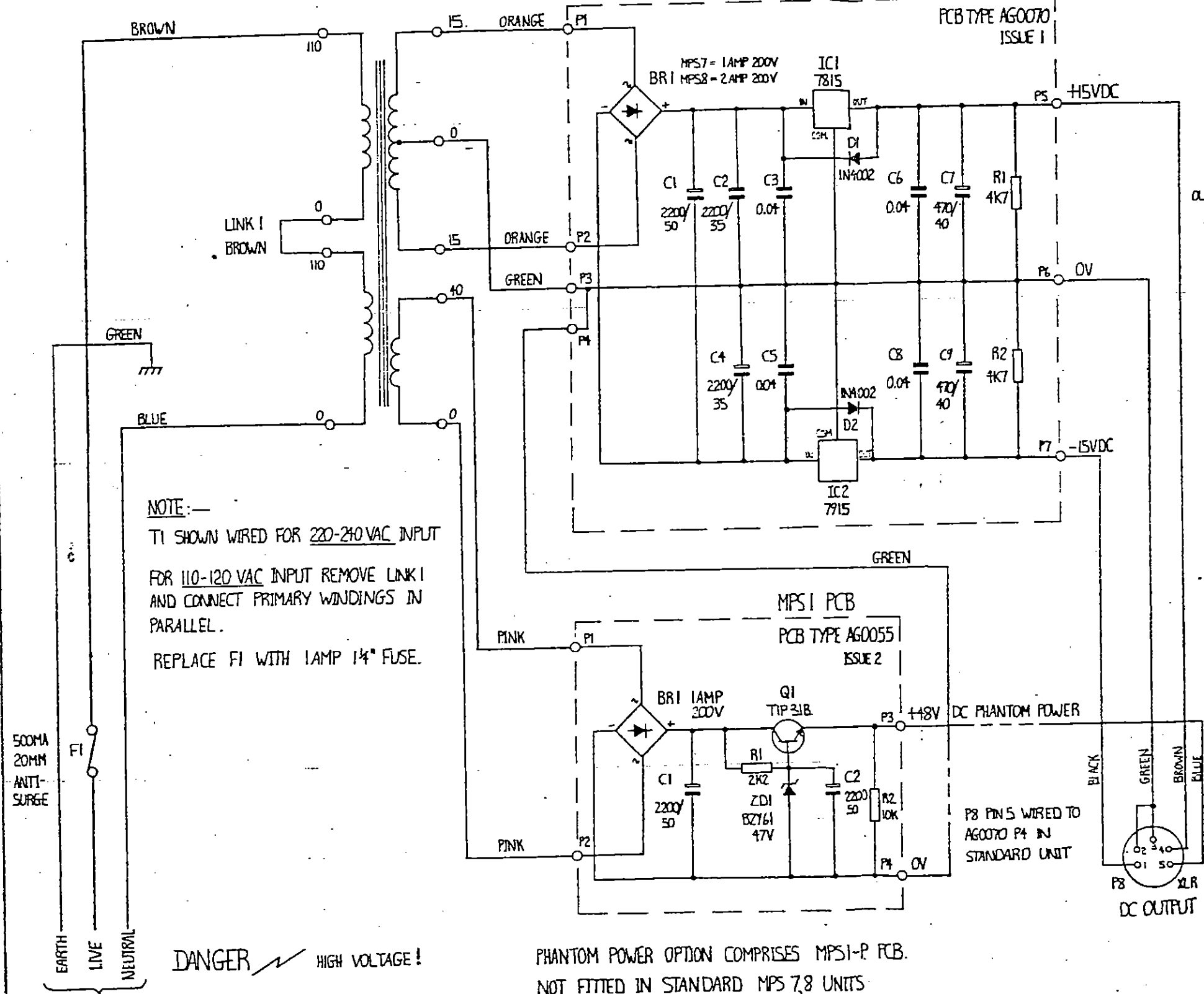
DRAWN	TRACED	CHECKED	APPROVED	DATE	SCALE
				6-9-82	

DRAWING NO. 169

T1
 MPS 7 - TRANS-TRONIC P727 20VA
 MPS 8 - TRANS-TRONIC P728 50VA

MPS 7-8 PCB
 PCB TYPE AG0070
 ISSUE 1

AG0070 ISSUE 1



No.	DESCRIPTION	CHKD	APPD	DATE
ISSUE 4				2-11-82
ISSUE 3				3-11-82
ISSUE 2				1-10-82

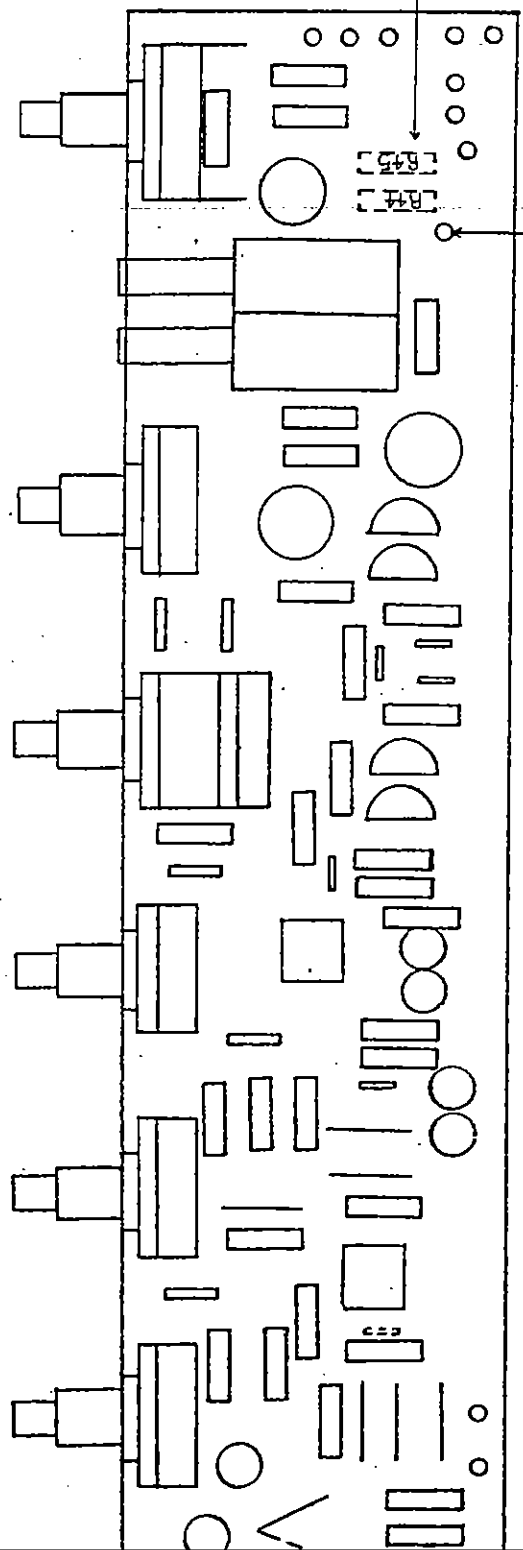
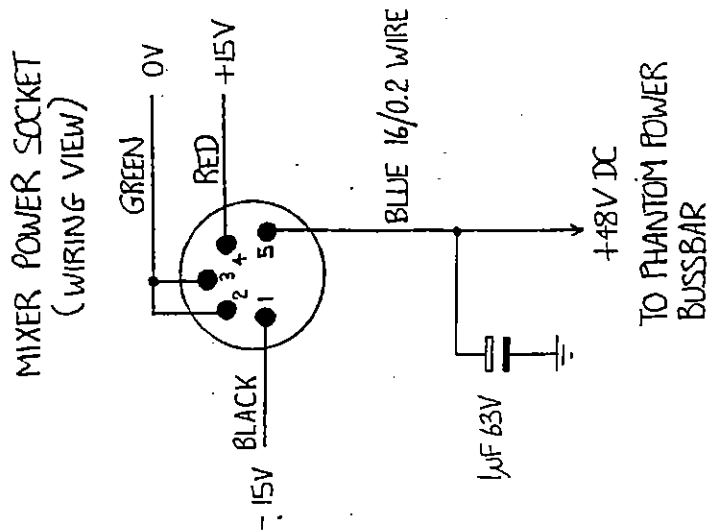
AHB

MPS7, MPS8 CIRCUITS AND GENERAL ARRANGEMENT
 INCLUDING PHANTOM POWER OPTION

DRAWN	TRACED	CHECKED	APPROVED	DATE	SCALE
CP				9-9-82	

- INSTRUCTIONS:
1. FIT TC WIRE BUSBAR ACROSS ALL INPUT PCBs.
 2. CONNECT BUSBAR TO POWER SOCKET USING BLUE WIRE.
 3. FIT 1 μ F 63V CAPACITOR BETWEEN BUSBAR AND 0V ON INPUT PCB NEAREST TO POWER SOCKET.
 4. FIT R44 AND R45 TO THOSE INPUT CHANNELS REQUIRING PHANTOM POWER.
 5. FIT PHANTOM POWER RETROFIT KIT TO HP57 POWER SUPPLY.

NOTE: ENSURE THAT PHANTOM POWER IS APPLIED ONLY TO CHANNELS WITH BALANCED MIC INPUTS CONNECTED.



INPUT PCB AG0071 ISSUE 1

PHANTOM POWER BUSBAR
22 SWG TC WIRE

TECHNICAL BULLETIN

AHB SYSTEM 8 and 21 SERIES PREAMPS

IMPROVEMENT TO RELIABILITY UNDER FAULT CONDITIONS

With a faulty microphone input connector that earths pin 2 or pin 3 of the channel input and when the +48 volt phantom power is on, failure of the IC1 on the input pcb can occur at the moment the connector is inserted. Experience is that only a small percentage of channels will fail, and the following makes the preamp proof against this failure condition.

Parts required: 2 off general purpose silicon diode IN4148 or equivalent.

Method: refer to the information sheet attached.

Open the unit and on input pcbs locate the input pins to IC1 TL072CP

System 8

21 Series

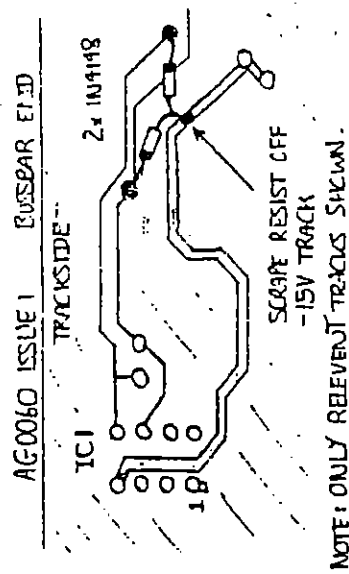
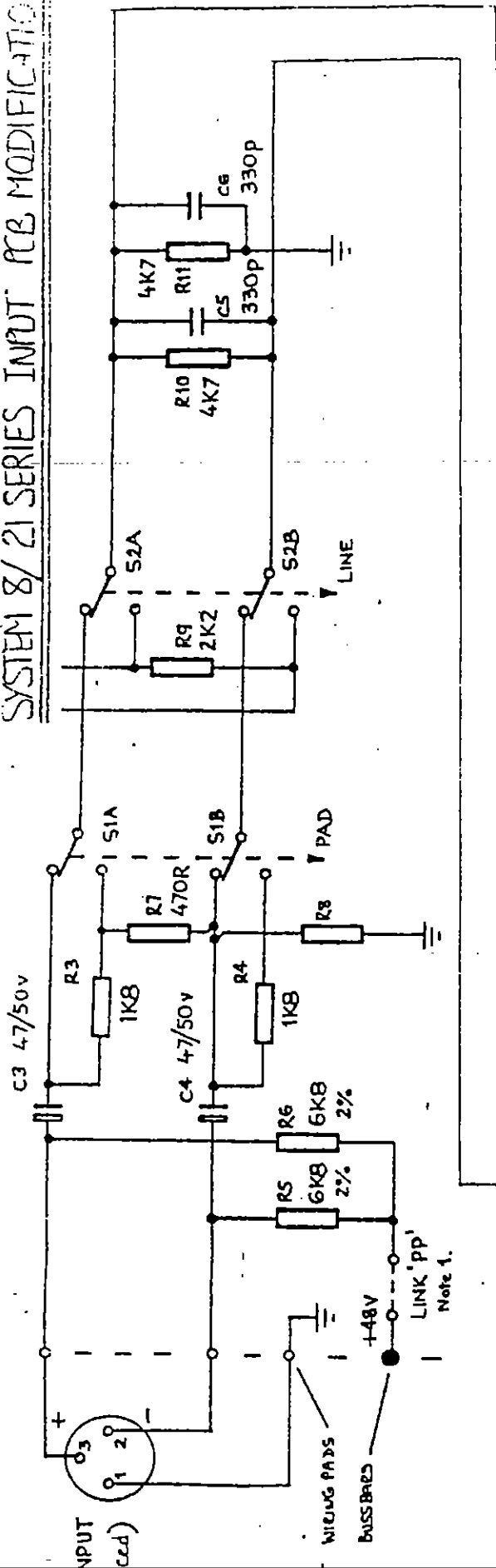
pins 5+6

pins 2+3

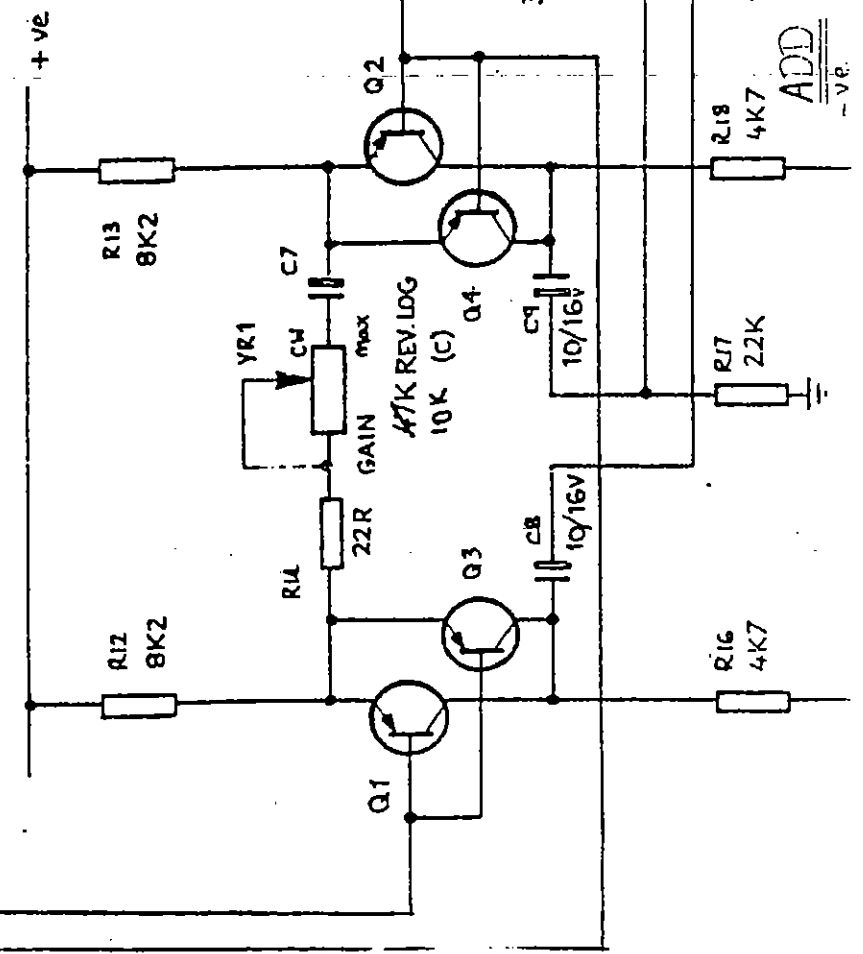
Add one diode between each input pin and the negative 15 volt supply as shown on the diagram. Observe the diode polarity, the end with the stripe should connect to the IC input pins.

This revision applies to all production to date and is factory fitted on System 8 units after serial number 1100 and Series 21 units after serial number 0436.

SYSTEM 8/21 SERIES INPUT PCB MODIFICATION



NOTE: ONLY RELEVANT TRACKS SHOWN.



ADD -ve