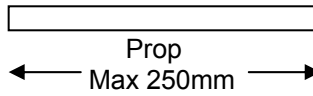


Aim: To remove the SBC for replacement or service.

Tools: ⚙️ T10, T20, T30. ⚙️ PZ2 (demo units)

Materials: Prop, to hold upper processor panel in place. Non conductive. Rigid. Min length 230mm, max length 250mm, max depth 4mm.



1. Remove top extrusion. Section 2.01

2. Access the Upper processor panel. Section 2.02

3. Identify SBC

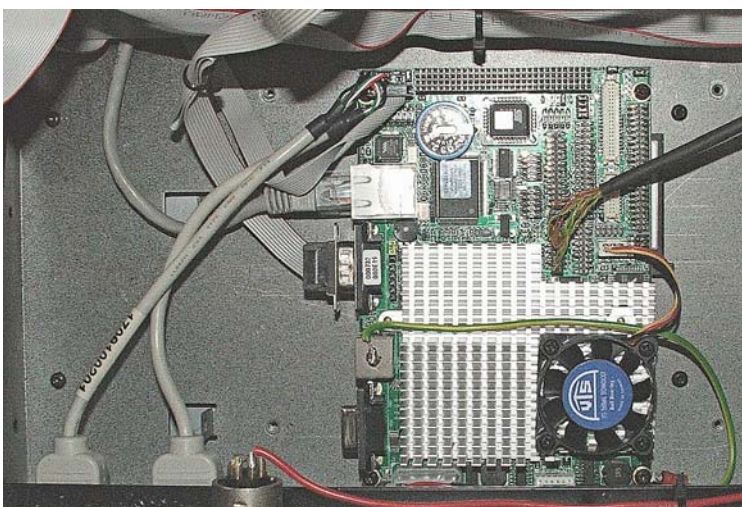
- There are two types of SBC: 003-591JIT & 003-748JIT.



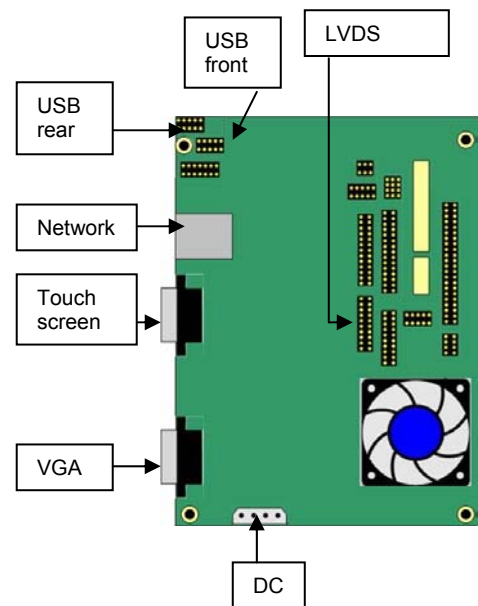
- They are NOT interchangeable.

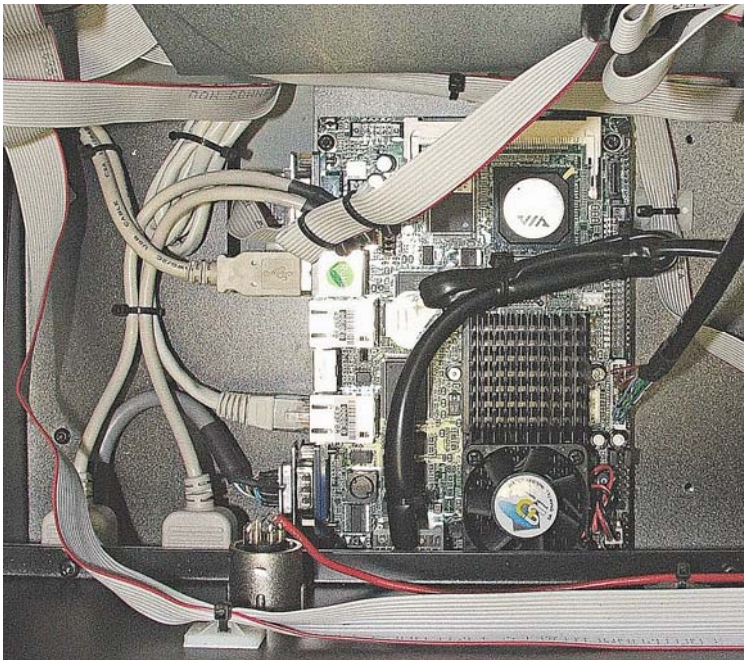


- The SBC Upgrade kit (003-754JIT) can be used to upgrade a 003-591JIT unit to a 003-748JIT unit. The 003-748JIT SBC has a faster processor (scene recall speed is not affected).

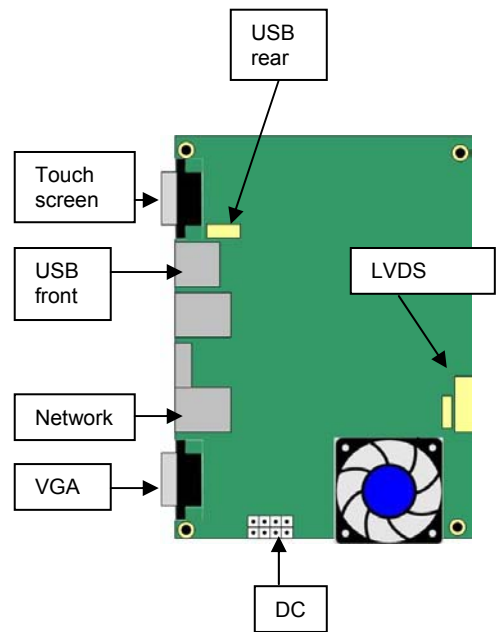


003-591JIT





003-748JIT



4. Disconnect all harnesses
5. Remove T10 x 4
6. The SBC can now be removed