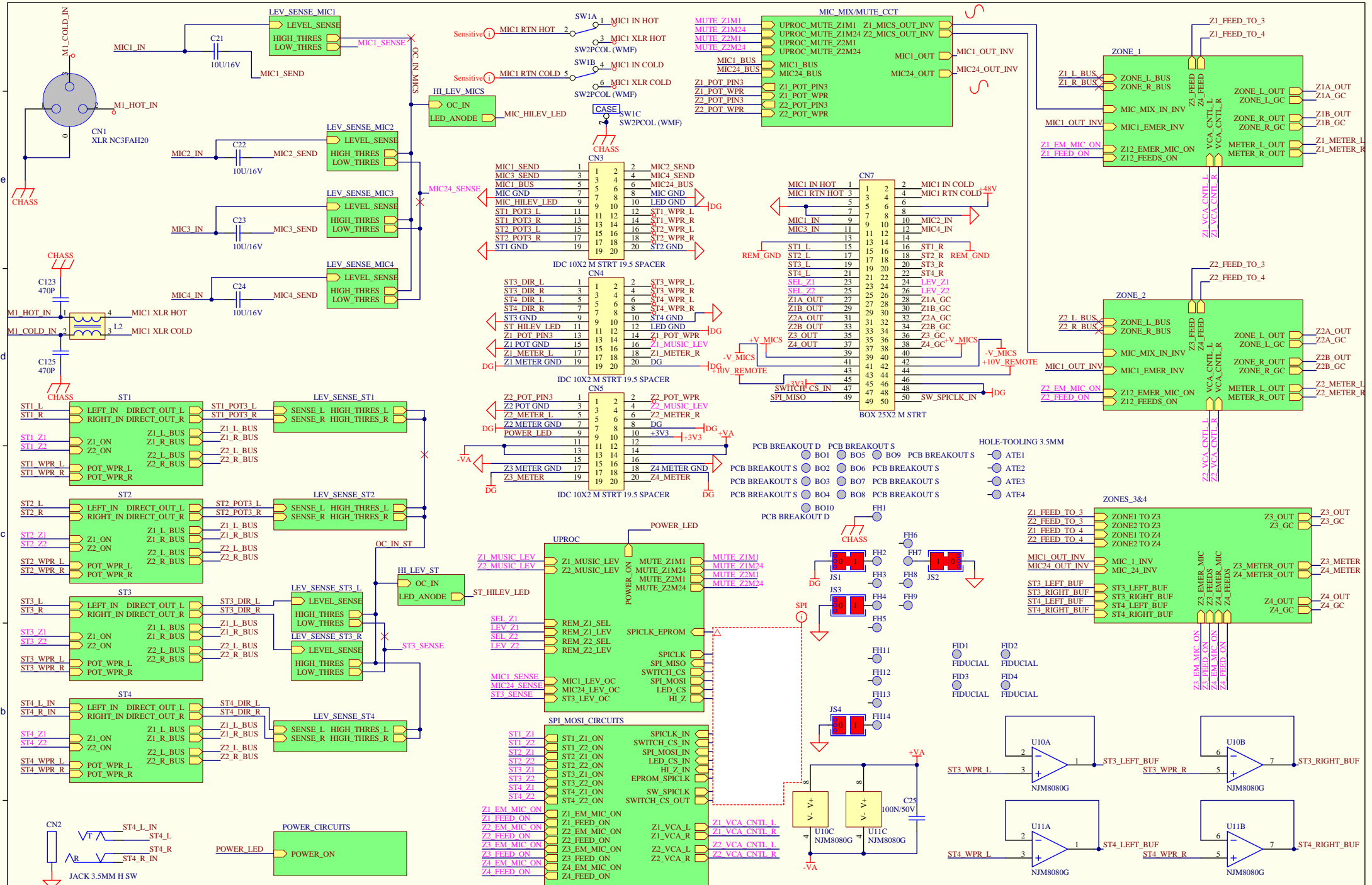


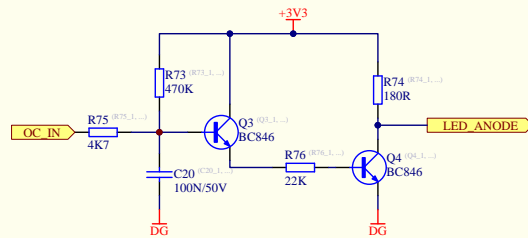
ALLEN & HEATH
Main_PCB
UL 94V-0



AG10093_11



* All parts to be RoHS Compliant *



ALLEN & HEATH

Kernick Industrial Estate,
Penryn, Cornwall,
England. TR10 9LU

Tel: +44 (0)1326 372070
Fax: +44 (0)1326 370153

REV	BY	DATE	ECN	CHK
A	NB	25Feb15		XXX
B	NB	27Aug15		
1	JB	18 Jan 15		

Edit in Project Options, Parameters Tab.

FILE: C10093 HI LEV LED Iss1.SchDoc

* All parts to be RoHS Compliant *

VCS Revision Not in version control

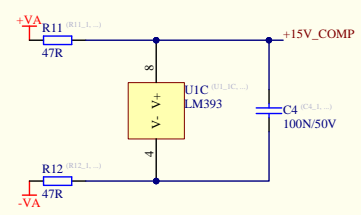
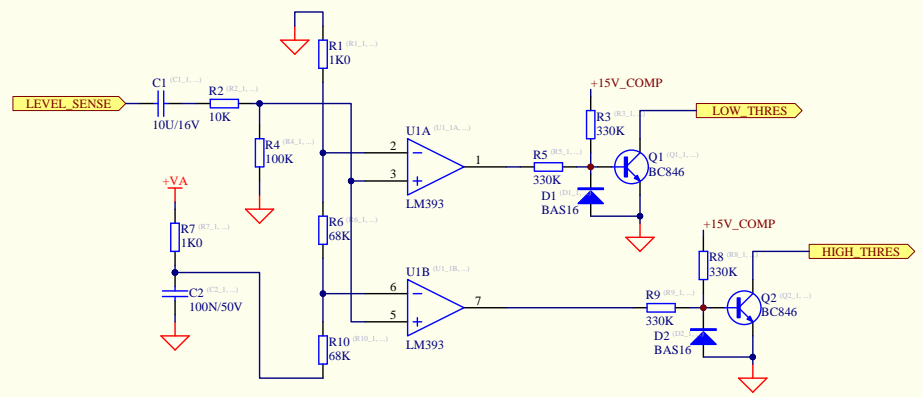
PRINTED: 13:45:40 07/03/2016

GR4

TITLE: Main_PCB

PAGE:

DRG No: C10093 ISSUE: 1 SHEET: 2 OF 11



ALLEN & HEATH

Kernick Industrial Estate,
Penryn, Cornwall,
England. TR10 9LU
Tel: +44 (0)1326 372070
Fax: +44 (0)1326 370153

REV	BY	DATE	ECN	CHK
A	NB	25Feb15		XXX
B	NB	27Aug15		
1	JB	18 Jan 15		

Edit in Project Options, Parameters Tab.
FILE: C10093 Level_Sense lss1.SchDoc

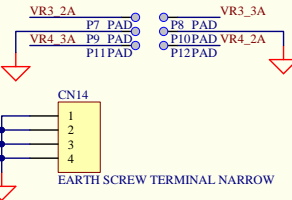
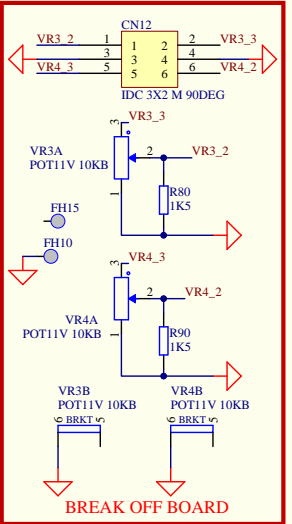
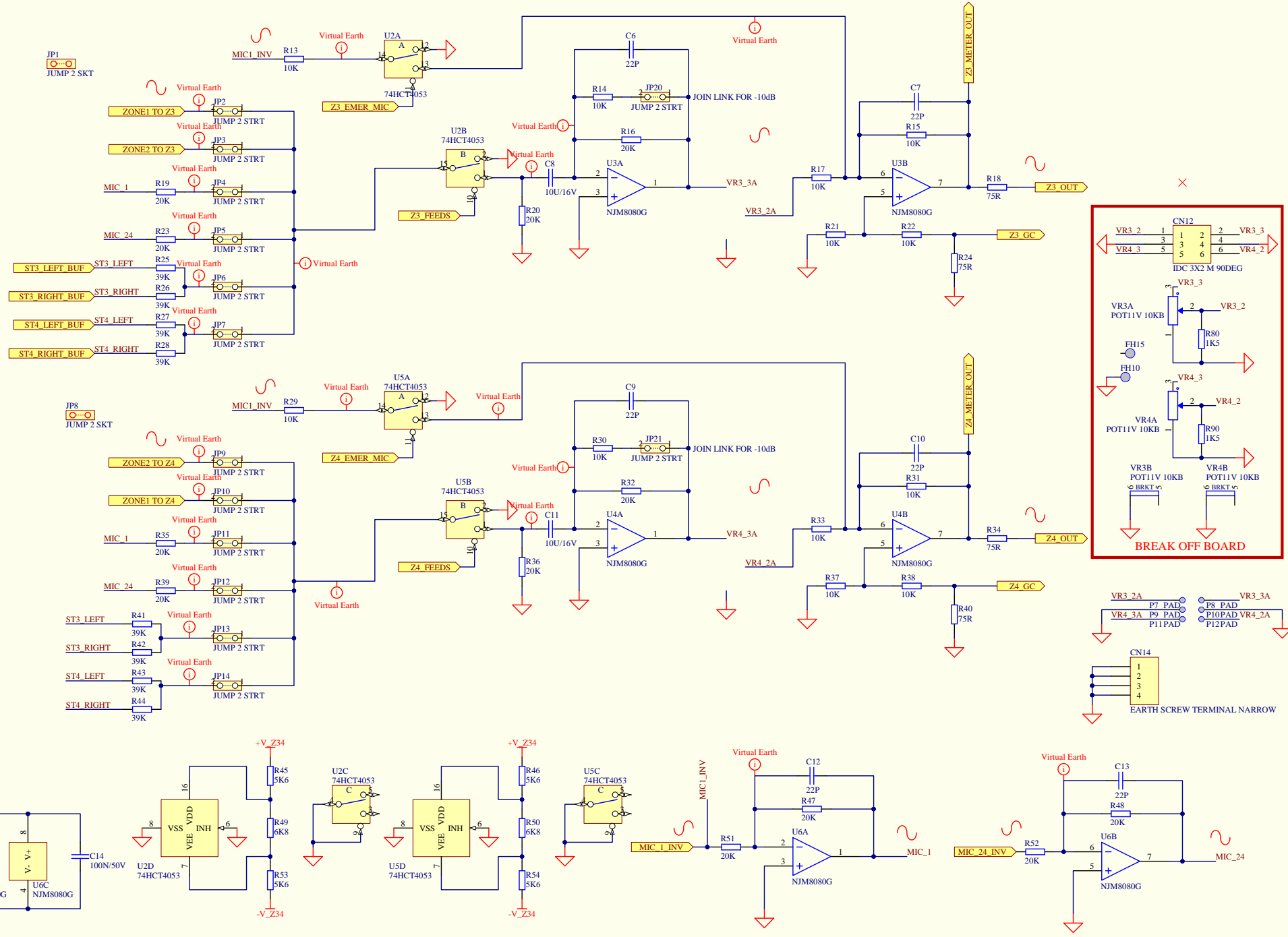
* All parts to be RoHS Compliant *

VCS Revision Not in version control PRINTED: 13:45:40 07/03/2016

GR4

TITLE: Main_PCB
PAGE:

DRG No: C10093 ISSUE: 1 SHEET: 3 OF 11



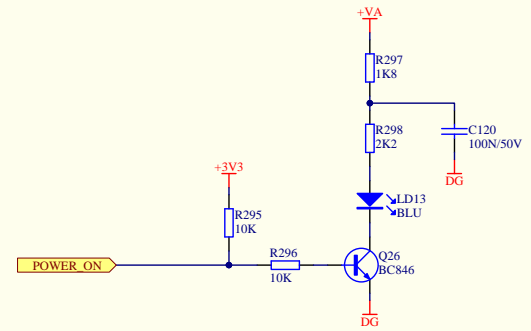
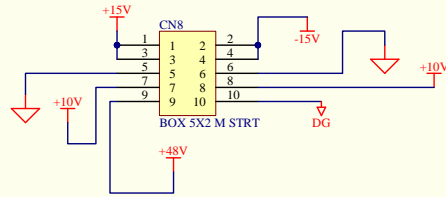
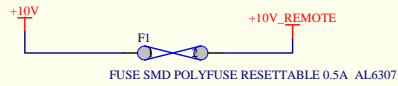
ALLEN & HEATH		REV	BY	DATE	ECN	CHK
Kernick Industrial Estate, Penryn, Cornwall, England. TR10 9LU		A	NB	25Feb15		XXX
Tel: +44 (0)1326 372070		B	NB	27Aug15		
Fax: +44 (0)1326 370153		1	JB	18 Jan 15		

Edit in Project Options, Parameters Tab.
FILE: C10093 Mono_Zone Iss1.SchDoc

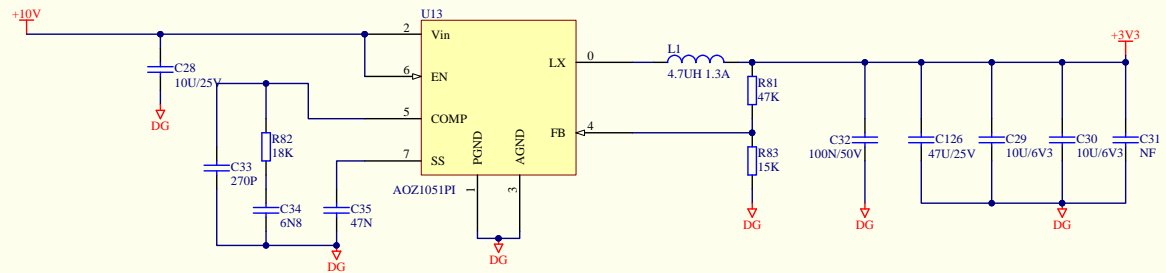
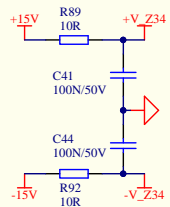
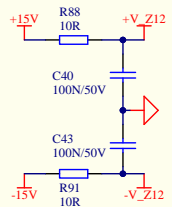
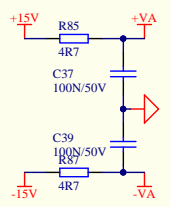
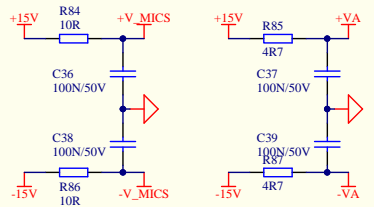
* All parts to be RoHS Compliant *

GR4
TITLE: Main_PCB
PAGE:
DRG No: C10093 ISSUE: 1 SHEET: 4 OF 11

VCS Revision Not in version control PRINTED: 13:45:40 07/03/2016



CABLE TIE SLOTS FOR MAIN POWER LOOM



ALLEN & HEATH

Kernick Industrial Estate,
Penryn, Cornwall,
England. TR10 9LU

Tel: +44 (0)1326 372070
Fax: +44 (0)1326 370153

REV	BY	DATE	ECN	CHK
A	NB	25Feb15		XXX
B	NB	27Aug15		
1	JB	18Jan15		

Edit in Project Options, Parameters Tab.

FILE: C10093 Power Iss1.SchDoc

* All parts to be RoHS Compliant *

VCS Revision Not in version control

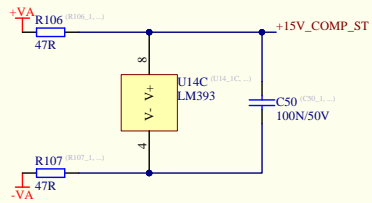
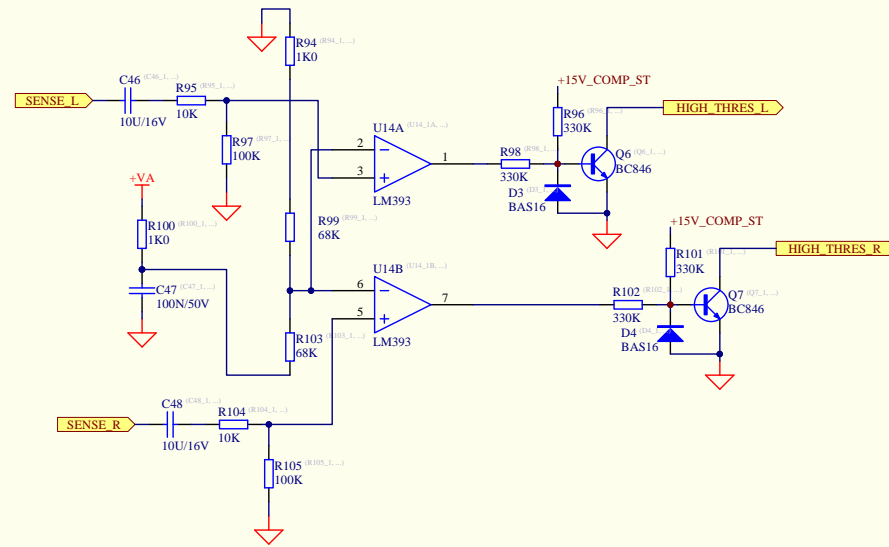
PRINTED: 13:45:40 07/03/2016

GR4

TITLE: Main_PCB

PAGE:

DRG No: C10093 ISSUE: 1 SHEET: 5 OF 11



ALLEN & HEATH

Kernick Industrial Estate,
Penryn, Cornwall,
England. TR10 9LU

Tel: +44 (0)1326 372070
Fax: +44 (0)1326 370153

REV	BY	DATE	ECN	CHK
A	NB	25Feb15		XXX
B	NB	27Aug15		
1	JB	18Jan15		

Edit in Project Options, Parameters Tab.

FILE: C10093 ST_Lev_Sense Iss1.SchDoc

* All parts to be RoHS Compliant *

VCS Revision Not in version control

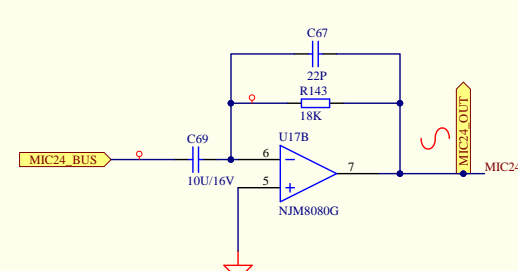
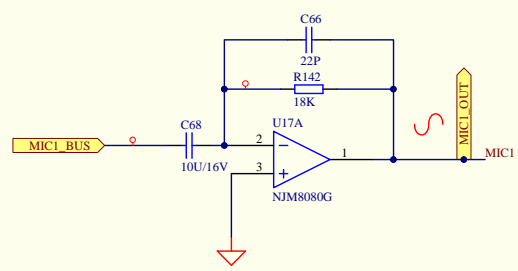
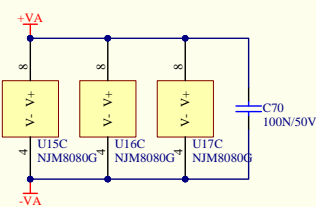
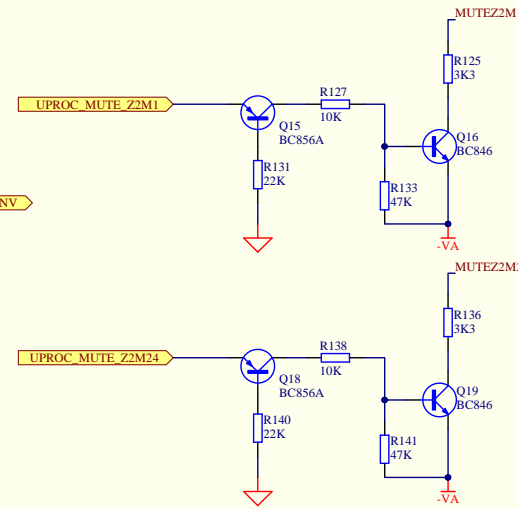
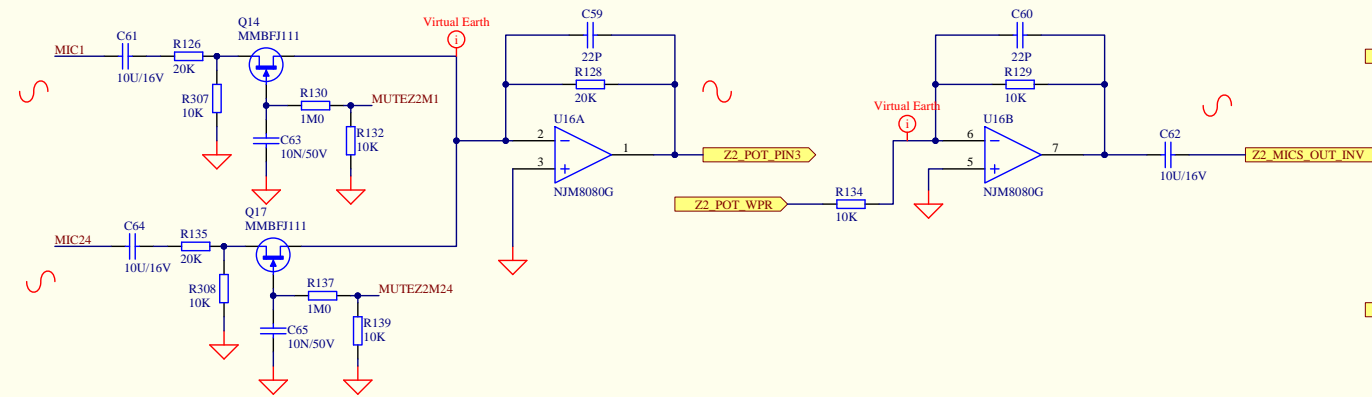
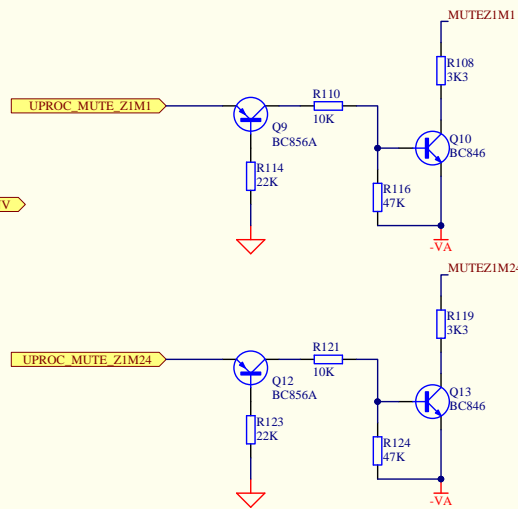
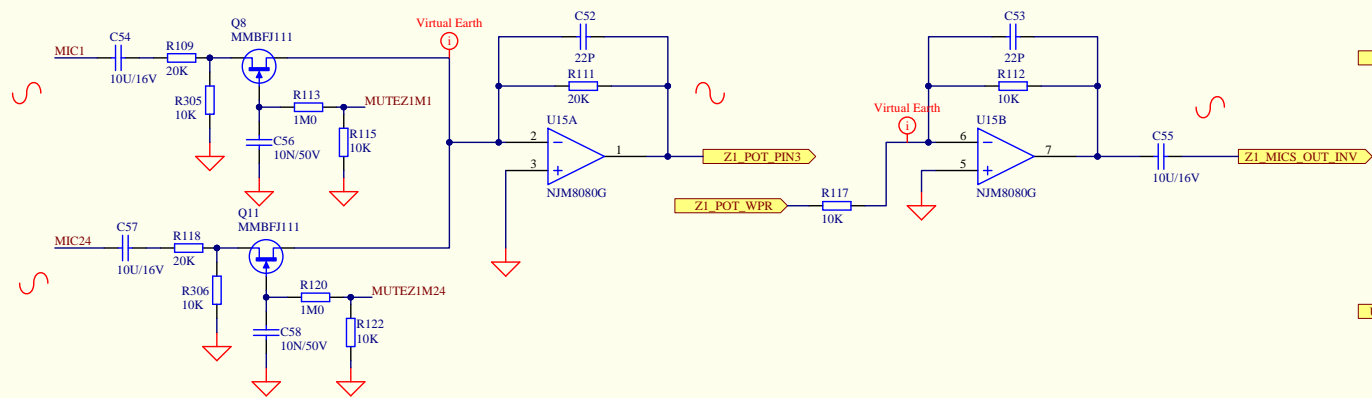
PRINTED: 13:45:40 07/03/2016

GR4

TITLE: Main_PCB

PAGE:

DRG No: C10093 ISSUE: 1 SHEET: 6 OF 11



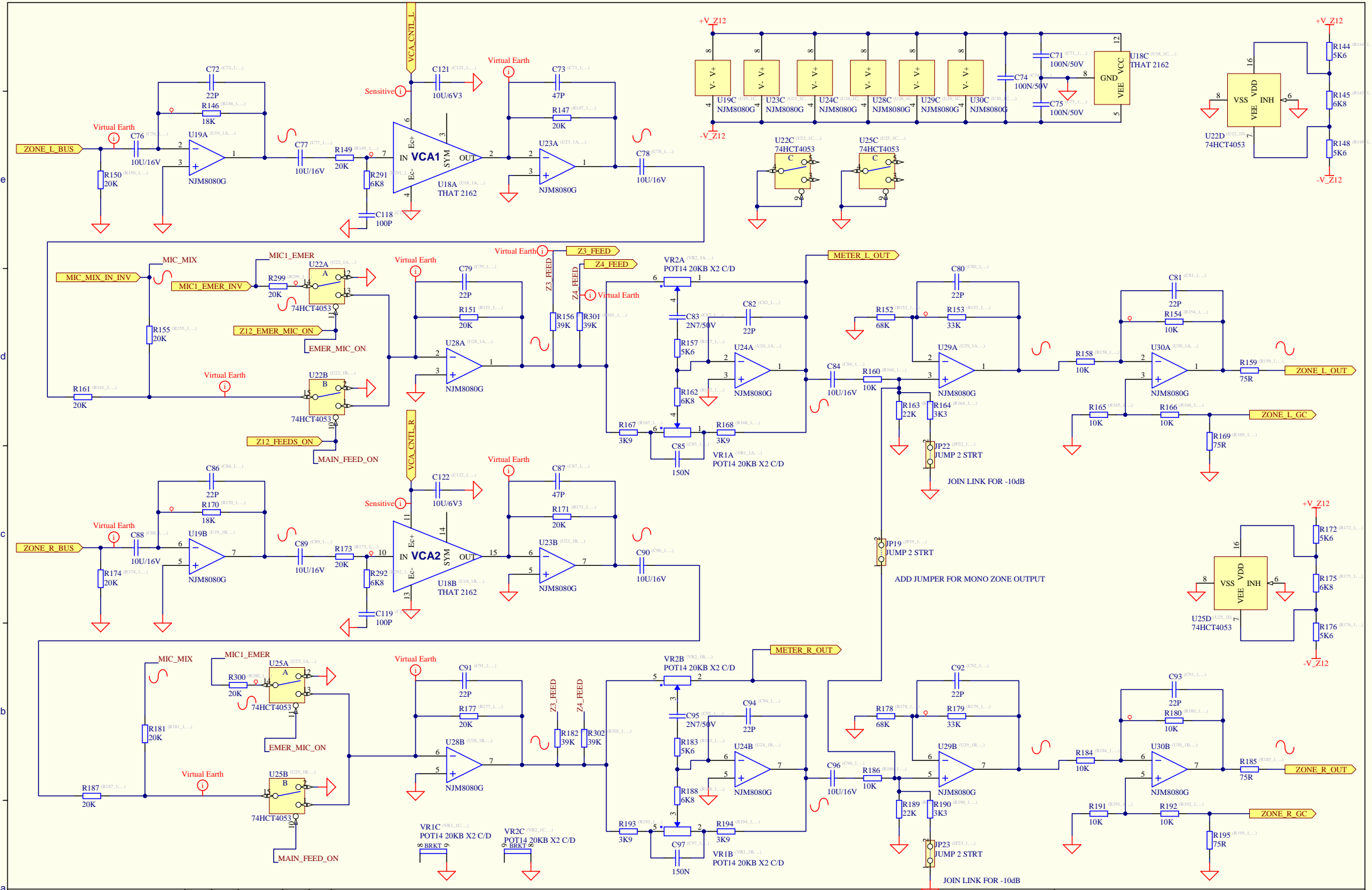
ALLEN & HEATH		REV	BY	DATE	ECN	CHK
Kernick Industrial Estate, Penryn, Cornwall, England. TR10 9LU		A	NB	25Feb15		XXX
Tel: +44 (0)1326 372070		B	NB	27Aug15		
Fax: +44 (0)1326 370153		1	JB	18 Jan 15		

Edit in Project Options, Parameters Tab.
FILE: C:\10093_St_Zone_Mics Iss1.SchDoc

* All parts to be RoHS Compliant *

GR4		TITLE: Main_PCB
PAGE:		DRG No: C10093
ISSUE: 1		SHEET: 7 OF 11

PRINTED: 13:45:41 07/03/2016



ALLEN & HEATH

Kernick Industrial Estate,
Penryn, Cornwall,
England. TR10 9LU
Tel: +44 (0)1326 372070
Fax: +44 (0)1326 370153

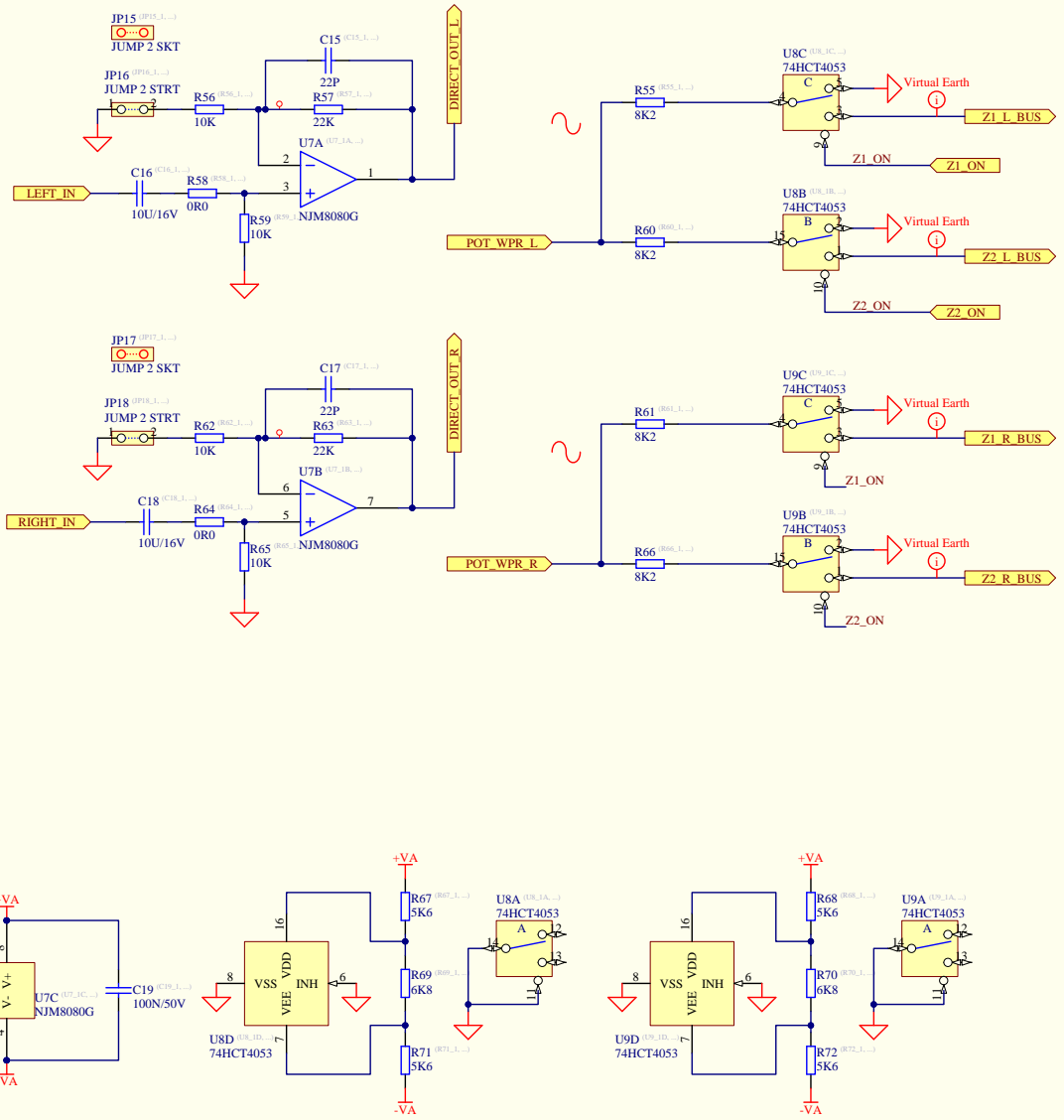
REV	BY	DATE	ECN	CHK
A	NB	25Feb15		XXX
B	NB	27Aug15		
1	JB	18 Jan 15		

Edit in Project Options, Parameters Tab.
FILE: C10093 St_Zone_OP lss1.SchDoc

* All parts to be RoHS Compliant *

GR4
TITLE: Main_PCB
PAGE:
DRG No: C10093 ISSUE: 1 SHEET: 8 OF 11

VCS Revision Not in version control PRINTED: 13:45:41 07/03/2016



ALLEN & HEATH

Kernick Industrial Estate,
Penryn, Cornwall,
England. TR10 9LU

Tel: +44 (0)1326 372070
Fax: +44 (0)1326 370153

REV	BY	DATE	ECN	CHK
A	NB	25Feb15		XXX
B	NB	27Aug15		
1	JB	18 Jan 15		

Edit in Project Options, Parameters Tab.

FILE: C10093 Stereo_in Iss1.SchDoc

* All parts to be RoHS Compliant *

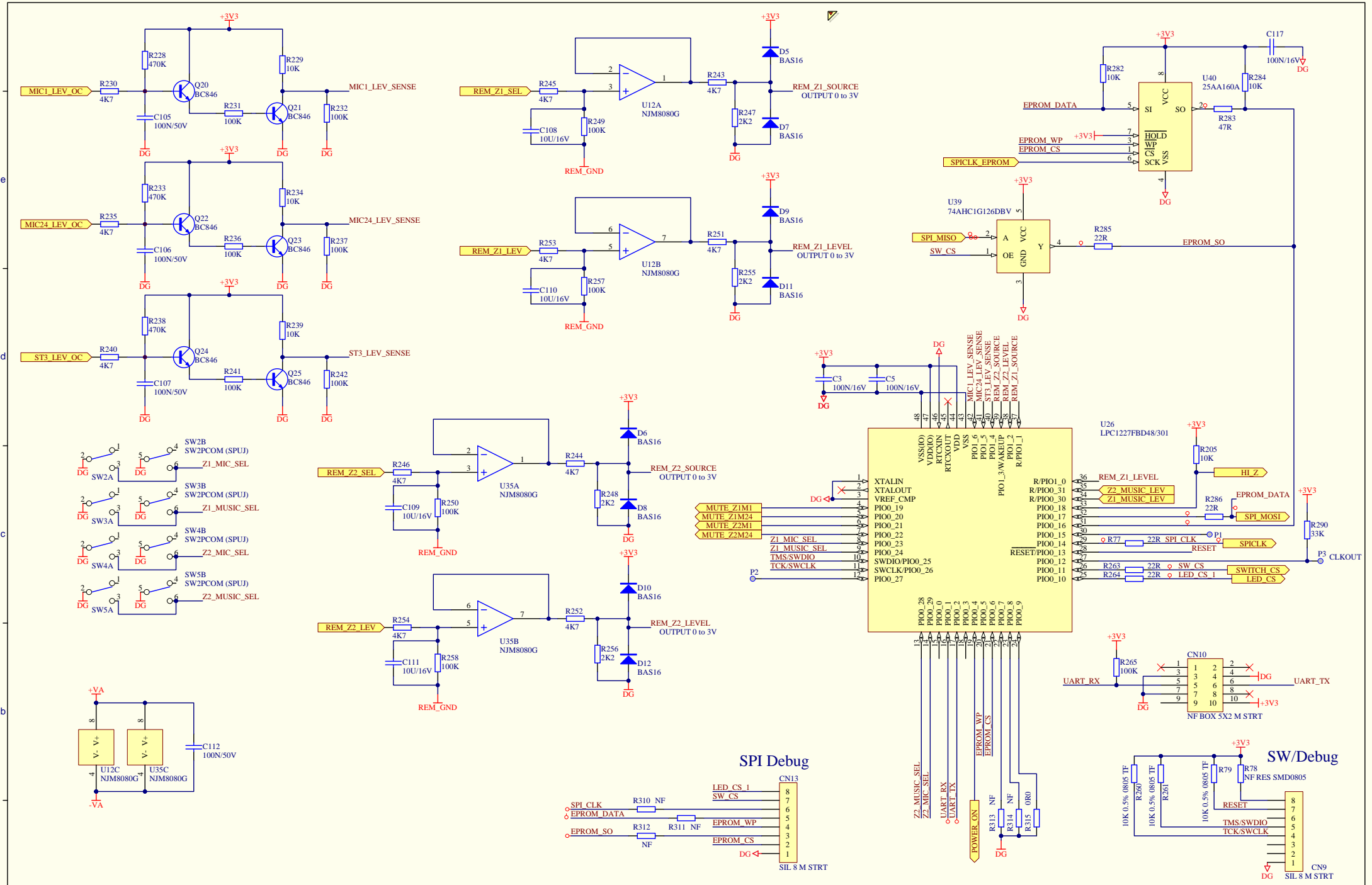
GR4

TITLE: Main_PCB

PAGE:

DRG No: C10093 ISSUE: 1 SHEET: 9 OF 11

VCS Revision Not in version control PRINTED: 13:45:41 07/03/2016



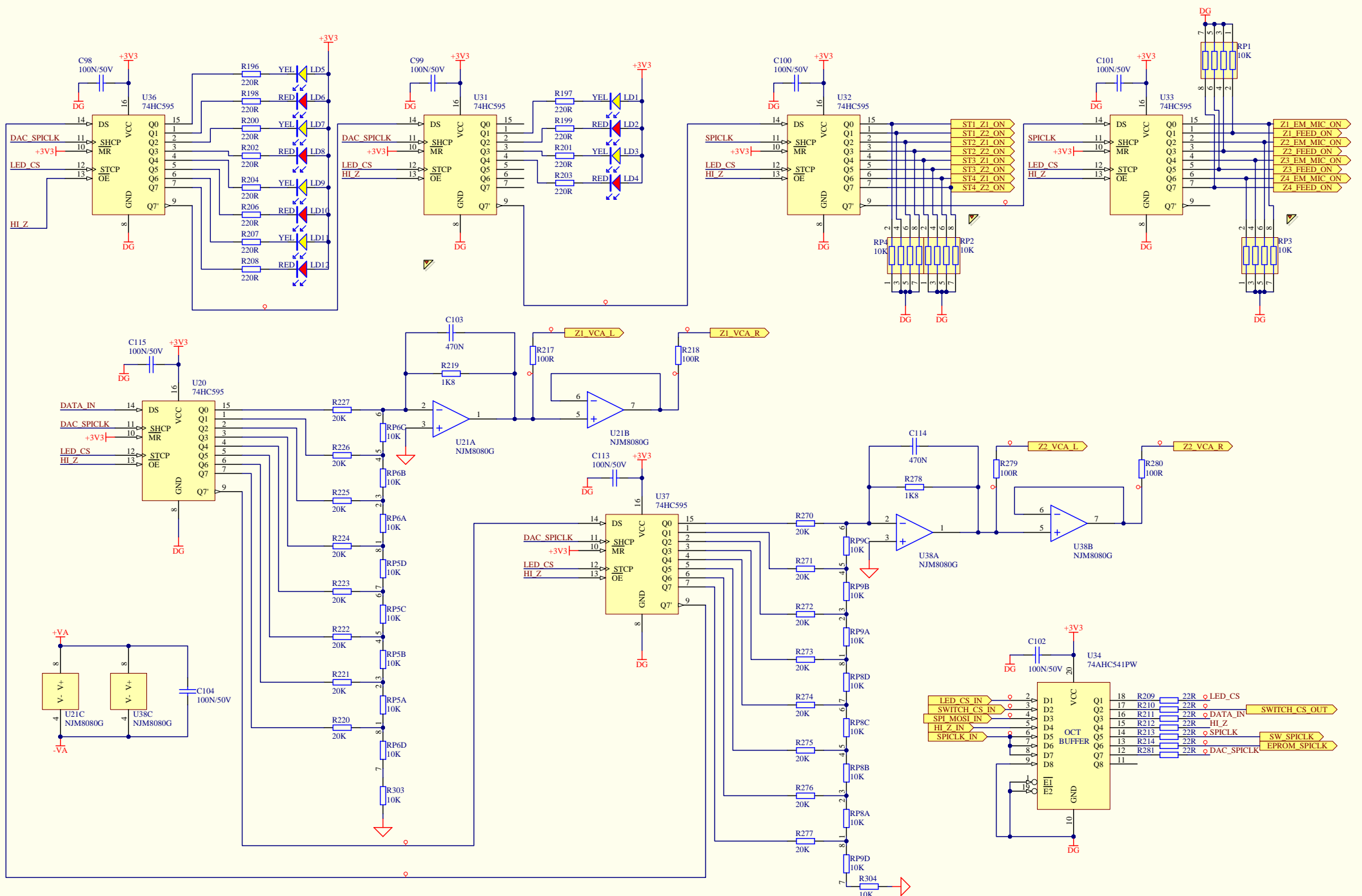
ALLEN & HEATH

Kernick Industrial Estate,
Penryn, Cornwall,
England. TR10 9LU
Tel: +44 (0)1326 372070
Fax: +44 (0)1326 370153

REV	BY	DATE	ECN	CHK
A	NB	25Feb15		XXX
B	NB	27Aug15		
1	JB	18Jan15		

Edit in Project Options, Parameters Tab.
FILE: C:\10093 Uproc_Main Iss1.SchDoc

* All parts to be RoHS Compliant *



ALLEN & HEATH

Kernick Industrial Estate,
Penryn, Cornwall,
England. TR10 9LU
Tel: +44 (0)1326 372070
Fax: +44 (0)1326 370153

REV	BY	DATE	ECN	CHK
A	NB	25Feb15		XXX
B	NB	27Aug15		
1	JB	18Jan15		

Edit in Project Options, Parameters Tab.
FILE: C10093 Uproc_SPI Iss1_SchDoc

* All parts to be RoHS Compliant *

GR4
TITLE: Main_PCB
PAGE:

DRG No: C10093 ISSUE: 1 SHEET: 11 OF 11

VCS Revision Not in version control PRINTED: 13:45:42 07/03/2016

AG10093_1 GR4 GR3 Main 004-784

Designator	Description
CN14	EARTH SCREW TERMINAL NARROW HORIZONTAL TYPE+ SCREW M3 (AA9000)
R196	RESISTOR CARBON SMD0805 220R 5% (AC0368)
R197	RESISTOR CARBON SMD0805 220R 5% (AC0368)
R198	RESISTOR CARBON SMD0805 220R 5% (AC0368)
R199	RESISTOR CARBON SMD0805 220R 5% (AC0368)
R200	RESISTOR CARBON SMD0805 220R 5% (AC0368)
R201	RESISTOR CARBON SMD0805 220R 5% (AC0368)
R202	RESISTOR CARBON SMD0805 220R 5% (AC0368)
R203	RESISTOR CARBON SMD0805 220R 5% (AC0368)
R204	RESISTOR CARBON SMD0805 220R 5% (AC0368)
R206	RESISTOR CARBON SMD0805 220R 5% (AC0368)
R207	RESISTOR CARBON SMD0805 220R 5% (AC0368)
R208	RESISTOR CARBON SMD0805 220R 5% (AC0368)
R100_1	RESISTOR METAL FILM SMD0805 1K0 1% (AC0369)
R100_2	RESISTOR METAL FILM SMD0805 1K0 1% (AC0369)
R100_3	RESISTOR METAL FILM SMD0805 1K0 1% (AC0369)
R1_1	RESISTOR METAL FILM SMD0805 1K0 1% (AC0369)
R1_2	RESISTOR METAL FILM SMD0805 1K0 1% (AC0369)
R1_3	RESISTOR METAL FILM SMD0805 1K0 1% (AC0369)
R1_4	RESISTOR METAL FILM SMD0805 1K0 1% (AC0369)
R1_5	RESISTOR METAL FILM SMD0805 1K0 1% (AC0369)
R1_6	RESISTOR METAL FILM SMD0805 1K0 1% (AC0369)
R7_1	RESISTOR METAL FILM SMD0805 1K0 1% (AC0369)
R7_2	RESISTOR METAL FILM SMD0805 1K0 1% (AC0369)
R7_3	RESISTOR METAL FILM SMD0805 1K0 1% (AC0369)
R7_4	RESISTOR METAL FILM SMD0805 1K0 1% (AC0369)
R7_5	RESISTOR METAL FILM SMD0805 1K0 1% (AC0369)
R7_6	RESISTOR METAL FILM SMD0805 1K0 1% (AC0369)
R94_1	RESISTOR METAL FILM SMD0805 1K0 1% (AC0369)
R94_2	RESISTOR METAL FILM SMD0805 1K0 1% (AC0369)
R94_3	RESISTOR METAL FILM SMD0805 1K0 1% (AC0369)
R247	RESISTOR METAL FILM SMD0805 2K2 1% (AC0370)
R248	RESISTOR METAL FILM SMD0805 2K2 1% (AC0370)
R255	RESISTOR METAL FILM SMD0805 2K2 1% (AC0370)
R256	RESISTOR METAL FILM SMD0805 2K2 1% (AC0370)
R298	RESISTOR METAL FILM SMD0805 2K2 1% (AC0370)
R142	RESISTOR METAL FILM SMD0805 18K 1% (AC0377)
R143	RESISTOR METAL FILM SMD0805 18K 1% (AC0377)
R146_1	RESISTOR METAL FILM SMD0805 18K 1% (AC0377)
R146_2	RESISTOR METAL FILM SMD0805 18K 1% (AC0377)
R170_1	RESISTOR METAL FILM SMD0805 18K 1% (AC0377)
R170_2	RESISTOR METAL FILM SMD0805 18K 1% (AC0377)
R82	RESISTOR METAL FILM SMD0805 18K 1% (AC0377)
R315	RESISTOR CARBON SMD0805 0R0 5% (AC2838)
R58_1	RESISTOR CARBON SMD0805 0R0 5% (AC2838)
R58_2	RESISTOR CARBON SMD0805 0R0 5% (AC2838)
R58_3	RESISTOR CARBON SMD0805 0R0 5% (AC2838)
R58_4	RESISTOR CARBON SMD0805 0R0 5% (AC2838)

R64_1	RESISTOR CARBON SMD0805 0R0 5% (AC2838)
R64_2	RESISTOR CARBON SMD0805 0R0 5% (AC2838)
R64_3	RESISTOR CARBON SMD0805 0R0 5% (AC2838)
R64_4	RESISTOR CARBON SMD0805 0R0 5% (AC2838)
R104_1	RESISTOR METAL FILM SMD0805 10K 1% (AC2841)
R104_2	RESISTOR METAL FILM SMD0805 10K 1% (AC2841)
R104_3	RESISTOR METAL FILM SMD0805 10K 1% (AC2841)
R110	RESISTOR METAL FILM SMD0805 10K 1% (AC2841)
R112	RESISTOR METAL FILM SMD0805 10K 1% (AC2841)
R115	RESISTOR METAL FILM SMD0805 10K 1% (AC2841)
R117	RESISTOR METAL FILM SMD0805 10K 1% (AC2841)
R121	RESISTOR METAL FILM SMD0805 10K 1% (AC2841)
R122	RESISTOR METAL FILM SMD0805 10K 1% (AC2841)
R127	RESISTOR METAL FILM SMD0805 10K 1% (AC2841)
R129	RESISTOR METAL FILM SMD0805 10K 1% (AC2841)
R13	RESISTOR METAL FILM SMD0805 10K 1% (AC2841)
R132	RESISTOR METAL FILM SMD0805 10K 1% (AC2841)
R134	RESISTOR METAL FILM SMD0805 10K 1% (AC2841)
R138	RESISTOR METAL FILM SMD0805 10K 1% (AC2841)
R139	RESISTOR METAL FILM SMD0805 10K 1% (AC2841)
R14	RESISTOR METAL FILM SMD0805 10K 1% (AC2841)
R15	RESISTOR METAL FILM SMD0805 10K 1% (AC2841)
R154_1	RESISTOR METAL FILM SMD0805 10K 1% (AC2841)
R154_2	RESISTOR METAL FILM SMD0805 10K 1% (AC2841)
R158_1	RESISTOR METAL FILM SMD0805 10K 1% (AC2841)
R158_2	RESISTOR METAL FILM SMD0805 10K 1% (AC2841)
R160_1	RESISTOR METAL FILM SMD0805 10K 1% (AC2841)
R160_2	RESISTOR METAL FILM SMD0805 10K 1% (AC2841)
R165_1	RESISTOR METAL FILM SMD0805 10K 1% (AC2841)
R165_2	RESISTOR METAL FILM SMD0805 10K 1% (AC2841)
R166_1	RESISTOR METAL FILM SMD0805 10K 1% (AC2841)
R166_2	RESISTOR METAL FILM SMD0805 10K 1% (AC2841)
R17	RESISTOR METAL FILM SMD0805 10K 1% (AC2841)
R180_1	RESISTOR METAL FILM SMD0805 10K 1% (AC2841)
R180_2	RESISTOR METAL FILM SMD0805 10K 1% (AC2841)
R184_1	RESISTOR METAL FILM SMD0805 10K 1% (AC2841)
R184_2	RESISTOR METAL FILM SMD0805 10K 1% (AC2841)
R186_1	RESISTOR METAL FILM SMD0805 10K 1% (AC2841)
R186_2	RESISTOR METAL FILM SMD0805 10K 1% (AC2841)
R191_1	RESISTOR METAL FILM SMD0805 10K 1% (AC2841)
R191_2	RESISTOR METAL FILM SMD0805 10K 1% (AC2841)
R192_1	RESISTOR METAL FILM SMD0805 10K 1% (AC2841)
R192_2	RESISTOR METAL FILM SMD0805 10K 1% (AC2841)
R21	RESISTOR METAL FILM SMD0805 10K 1% (AC2841)
R22	RESISTOR METAL FILM SMD0805 10K 1% (AC2841)
R229	RESISTOR METAL FILM SMD0805 10K 1% (AC2841)
R234	RESISTOR METAL FILM SMD0805 10K 1% (AC2841)
R239	RESISTOR METAL FILM SMD0805 10K 1% (AC2841)
R29	RESISTOR METAL FILM SMD0805 10K 1% (AC2841)
R295	RESISTOR METAL FILM SMD0805 10K 1% (AC2841)

R296	RESISTOR METAL FILM SMD0805 10K 1% (AC2841)
R2_1	RESISTOR METAL FILM SMD0805 10K 1% (AC2841)
R2_2	RESISTOR METAL FILM SMD0805 10K 1% (AC2841)
R2_3	RESISTOR METAL FILM SMD0805 10K 1% (AC2841)
R2_4	RESISTOR METAL FILM SMD0805 10K 1% (AC2841)
R2_5	RESISTOR METAL FILM SMD0805 10K 1% (AC2841)
R2_6	RESISTOR METAL FILM SMD0805 10K 1% (AC2841)
R30	RESISTOR METAL FILM SMD0805 10K 1% (AC2841)
R305	RESISTOR METAL FILM SMD0805 10K 1% (AC2841)
R306	RESISTOR METAL FILM SMD0805 10K 1% (AC2841)
R307	RESISTOR METAL FILM SMD0805 10K 1% (AC2841)
R308	RESISTOR METAL FILM SMD0805 10K 1% (AC2841)
R31	RESISTOR METAL FILM SMD0805 10K 1% (AC2841)
R33	RESISTOR METAL FILM SMD0805 10K 1% (AC2841)
R37	RESISTOR METAL FILM SMD0805 10K 1% (AC2841)
R38	RESISTOR METAL FILM SMD0805 10K 1% (AC2841)
R56_1	RESISTOR METAL FILM SMD0805 10K 1% (AC2841)
R56_2	RESISTOR METAL FILM SMD0805 10K 1% (AC2841)
R56_3	RESISTOR METAL FILM SMD0805 10K 1% (AC2841)
R56_4	RESISTOR METAL FILM SMD0805 10K 1% (AC2841)
R59_1	RESISTOR METAL FILM SMD0805 10K 1% (AC2841)
R59_2	RESISTOR METAL FILM SMD0805 10K 1% (AC2841)
R59_3	RESISTOR METAL FILM SMD0805 10K 1% (AC2841)
R59_4	RESISTOR METAL FILM SMD0805 10K 1% (AC2841)
R62_1	RESISTOR METAL FILM SMD0805 10K 1% (AC2841)
R62_2	RESISTOR METAL FILM SMD0805 10K 1% (AC2841)
R62_3	RESISTOR METAL FILM SMD0805 10K 1% (AC2841)
R62_4	RESISTOR METAL FILM SMD0805 10K 1% (AC2841)
R65_1	RESISTOR METAL FILM SMD0805 10K 1% (AC2841)
R65_2	RESISTOR METAL FILM SMD0805 10K 1% (AC2841)
R65_3	RESISTOR METAL FILM SMD0805 10K 1% (AC2841)
R65_4	RESISTOR METAL FILM SMD0805 10K 1% (AC2841)
R95_1	RESISTOR METAL FILM SMD0805 10K 1% (AC2841)
R95_2	RESISTOR METAL FILM SMD0805 10K 1% (AC2841)
R95_3	RESISTOR METAL FILM SMD0805 10K 1% (AC2841)
R114	RESISTOR METAL FILM SMD0805 22K 1% (AC2842)
R123	RESISTOR METAL FILM SMD0805 22K 1% (AC2842)
R131	RESISTOR METAL FILM SMD0805 22K 1% (AC2842)
R140	RESISTOR METAL FILM SMD0805 22K 1% (AC2842)
R163_1	RESISTOR METAL FILM SMD0805 22K 1% (AC2842)
R163_2	RESISTOR METAL FILM SMD0805 22K 1% (AC2842)
R189_1	RESISTOR METAL FILM SMD0805 22K 1% (AC2842)
R189_2	RESISTOR METAL FILM SMD0805 22K 1% (AC2842)
R57_1	RESISTOR METAL FILM SMD0805 22K 1% (AC2842)
R57_2	RESISTOR METAL FILM SMD0805 22K 1% (AC2842)
R57_3	RESISTOR METAL FILM SMD0805 22K 1% (AC2842)
R57_4	RESISTOR METAL FILM SMD0805 22K 1% (AC2842)
R63_1	RESISTOR METAL FILM SMD0805 22K 1% (AC2842)
R63_2	RESISTOR METAL FILM SMD0805 22K 1% (AC2842)
R63_3	RESISTOR METAL FILM SMD0805 22K 1% (AC2842)

R63_4	RESISTOR METAL FILM SMD0805 22K 1% (AC2842)
R76_1	RESISTOR METAL FILM SMD0805 22K 1% (AC2842)
R76_2	RESISTOR METAL FILM SMD0805 22K 1% (AC2842)
R105_1	RESISTOR METAL FILM SMD0805 100K 1% (AC2843)
R105_2	RESISTOR METAL FILM SMD0805 100K 1% (AC2843)
R105_3	RESISTOR METAL FILM SMD0805 100K 1% (AC2843)
R231	RESISTOR METAL FILM SMD0805 100K 1% (AC2843)
R232	RESISTOR METAL FILM SMD0805 100K 1% (AC2843)
R236	RESISTOR METAL FILM SMD0805 100K 1% (AC2843)
R237	RESISTOR METAL FILM SMD0805 100K 1% (AC2843)
R241	RESISTOR METAL FILM SMD0805 100K 1% (AC2843)
R242	RESISTOR METAL FILM SMD0805 100K 1% (AC2843)
R249	RESISTOR METAL FILM SMD0805 100K 1% (AC2843)
R250	RESISTOR METAL FILM SMD0805 100K 1% (AC2843)
R257	RESISTOR METAL FILM SMD0805 100K 1% (AC2843)
R258	RESISTOR METAL FILM SMD0805 100K 1% (AC2843)
R4_1	RESISTOR METAL FILM SMD0805 100K 1% (AC2843)
R4_2	RESISTOR METAL FILM SMD0805 100K 1% (AC2843)
R4_3	RESISTOR METAL FILM SMD0805 100K 1% (AC2843)
R4_4	RESISTOR METAL FILM SMD0805 100K 1% (AC2843)
R4_5	RESISTOR METAL FILM SMD0805 100K 1% (AC2843)
R4_6	RESISTOR METAL FILM SMD0805 100K 1% (AC2843)
R97_1	RESISTOR METAL FILM SMD0805 100K 1% (AC2843)
R97_2	RESISTOR METAL FILM SMD0805 100K 1% (AC2843)
R97_3	RESISTOR METAL FILM SMD0805 100K 1% (AC2843)
R228	RESISTOR METAL FILM SMD0805 470K 2% (AC2844)
R233	RESISTOR METAL FILM SMD0805 470K 2% (AC2844)
R238	RESISTOR METAL FILM SMD0805 470K 2% (AC2844)
R73_1	RESISTOR METAL FILM SMD0805 470K 2% (AC2844)
R73_2	RESISTOR METAL FILM SMD0805 470K 2% (AC2844)
R113	RESISTOR METAL FILM SMD0805 1M0 1% (AC2904)
R120	RESISTOR METAL FILM SMD0805 1M0 1% (AC2904)
R130	RESISTOR METAL FILM SMD0805 1M0 1% (AC2904)
R137	RESISTOR METAL FILM SMD0805 1M0 1% (AC2904)
R217	RESISTOR CARBON SMD0805 100R 5% (AC3026)
R218	RESISTOR CARBON SMD0805 100R 5% (AC3026)
R279	RESISTOR CARBON SMD0805 100R 5% (AC3026)
R280	RESISTOR CARBON SMD0805 100R 5% (AC3026)
R84	RESISTOR CARBON SMD0805 10R 5% (AC3027)
R86	RESISTOR CARBON SMD0805 10R 5% (AC3027)
R88	RESISTOR CARBON SMD0805 10R 5% (AC3027)
R89	RESISTOR CARBON SMD0805 10R 5% (AC3027)
R91	RESISTOR CARBON SMD0805 10R 5% (AC3027)
R92	RESISTOR CARBON SMD0805 10R 5% (AC3027)
R297	RESISTOR CARBON SMD0805 1K8 5% (AC3029)
R156_1	RESISTOR CARBON SMD0805 39K 5% (AC3033)
R156_2	RESISTOR CARBON SMD0805 39K 5% (AC3033)
R182_1	RESISTOR CARBON SMD0805 39K 5% (AC3033)
R182_2	RESISTOR CARBON SMD0805 39K 5% (AC3033)
R25	RESISTOR CARBON SMD0805 39K 5% (AC3033)

R26	RESISTOR CARBON SMD0805 39K 5% (AC3033)
R27	RESISTOR CARBON SMD0805 39K 5% (AC3033)
R28	RESISTOR CARBON SMD0805 39K 5% (AC3033)
R301_1	RESISTOR CARBON SMD0805 39K 5% (AC3033)
R301_2	RESISTOR CARBON SMD0805 39K 5% (AC3033)
R302_1	RESISTOR CARBON SMD0805 39K 5% (AC3033)
R302_2	RESISTOR CARBON SMD0805 39K 5% (AC3033)
R41	RESISTOR CARBON SMD0805 39K 5% (AC3033)
R42	RESISTOR CARBON SMD0805 39K 5% (AC3033)
R43	RESISTOR CARBON SMD0805 39K 5% (AC3033)
R44	RESISTOR CARBON SMD0805 39K 5% (AC3033)
R116	RESISTOR CARBON SMD0805 47K 5% (AC3035)
R124	RESISTOR CARBON SMD0805 47K 5% (AC3035)
R133	RESISTOR CARBON SMD0805 47K 5% (AC3035)
R141	RESISTOR CARBON SMD0805 47K 5% (AC3035)
R81	RESISTOR CARBON SMD0805 47K 5% (AC3035)
R106_1	RESISTOR CARBON SMD0805 47R 5% (AC3036)
R106_2	RESISTOR CARBON SMD0805 47R 5% (AC3036)
R106_3	RESISTOR CARBON SMD0805 47R 5% (AC3036)
R107_1	RESISTOR CARBON SMD0805 47R 5% (AC3036)
R107_2	RESISTOR CARBON SMD0805 47R 5% (AC3036)
R107_3	RESISTOR CARBON SMD0805 47R 5% (AC3036)
R11_1	RESISTOR CARBON SMD0805 47R 5% (AC3036)
R11_2	RESISTOR CARBON SMD0805 47R 5% (AC3036)
R11_3	RESISTOR CARBON SMD0805 47R 5% (AC3036)
R11_4	RESISTOR CARBON SMD0805 47R 5% (AC3036)
R11_5	RESISTOR CARBON SMD0805 47R 5% (AC3036)
R11_6	RESISTOR CARBON SMD0805 47R 5% (AC3036)
R12_1	RESISTOR CARBON SMD0805 47R 5% (AC3036)
R12_2	RESISTOR CARBON SMD0805 47R 5% (AC3036)
R12_3	RESISTOR CARBON SMD0805 47R 5% (AC3036)
R12_4	RESISTOR CARBON SMD0805 47R 5% (AC3036)
R12_5	RESISTOR CARBON SMD0805 47R 5% (AC3036)
R12_6	RESISTOR CARBON SMD0805 47R 5% (AC3036)
R219	RESISTOR CARBON SMD0805 1K8 1% (AC3060)
R278	RESISTOR CARBON SMD0805 1K8 1% (AC3060)
R108	RESISTOR METAL FILM SMD0805 3K3 1% (AC3061)
R119	RESISTOR METAL FILM SMD0805 3K3 1% (AC3061)
R125	RESISTOR METAL FILM SMD0805 3K3 1% (AC3061)
R136	RESISTOR METAL FILM SMD0805 3K3 1% (AC3061)
R164_1	RESISTOR METAL FILM SMD0805 3K3 1% (AC3061)
R164_2	RESISTOR METAL FILM SMD0805 3K3 1% (AC3061)
R190_1	RESISTOR METAL FILM SMD0805 3K3 1% (AC3061)
R190_2	RESISTOR METAL FILM SMD0805 3K3 1% (AC3061)
R230	RESISTOR METAL FILM SMD0805 4K7 1% (AC3062)
R235	RESISTOR METAL FILM SMD0805 4K7 1% (AC3062)
R240	RESISTOR METAL FILM SMD0805 4K7 1% (AC3062)
R243	RESISTOR METAL FILM SMD0805 4K7 1% (AC3062)
R244	RESISTOR METAL FILM SMD0805 4K7 1% (AC3062)
R245	RESISTOR METAL FILM SMD0805 4K7 1% (AC3062)

R246	RESISTOR METAL FILM SMD0805 4K7 1% (AC3062)
R251	RESISTOR METAL FILM SMD0805 4K7 1% (AC3062)
R252	RESISTOR METAL FILM SMD0805 4K7 1% (AC3062)
R253	RESISTOR METAL FILM SMD0805 4K7 1% (AC3062)
R254	RESISTOR METAL FILM SMD0805 4K7 1% (AC3062)
R75_1	RESISTOR METAL FILM SMD0805 4K7 1% (AC3062)
R75_2	RESISTOR METAL FILM SMD0805 4K7 1% (AC3062)
R145_1	RESISTOR METAL FILM SMD0805 6K8 1% (AC3064)
R145_2	RESISTOR METAL FILM SMD0805 6K8 1% (AC3064)
R162_1	RESISTOR METAL FILM SMD0805 6K8 1% (AC3064)
R162_2	RESISTOR METAL FILM SMD0805 6K8 1% (AC3064)
R175_1	RESISTOR METAL FILM SMD0805 6K8 1% (AC3064)
R175_2	RESISTOR METAL FILM SMD0805 6K8 1% (AC3064)
R188_1	RESISTOR METAL FILM SMD0805 6K8 1% (AC3064)
R188_2	RESISTOR METAL FILM SMD0805 6K8 1% (AC3064)
R291_1	RESISTOR METAL FILM SMD0805 6K8 1% (AC3064)
R291_2	RESISTOR METAL FILM SMD0805 6K8 1% (AC3064)
R292_1	RESISTOR METAL FILM SMD0805 6K8 1% (AC3064)
R292_2	RESISTOR METAL FILM SMD0805 6K8 1% (AC3064)
R49	RESISTOR METAL FILM SMD0805 6K8 1% (AC3064)
R50	RESISTOR METAL FILM SMD0805 6K8 1% (AC3064)
R69_1	RESISTOR METAL FILM SMD0805 6K8 1% (AC3064)
R69_2	RESISTOR METAL FILM SMD0805 6K8 1% (AC3064)
R69_3	RESISTOR METAL FILM SMD0805 6K8 1% (AC3064)
R69_4	RESISTOR METAL FILM SMD0805 6K8 1% (AC3064)
R70_1	RESISTOR METAL FILM SMD0805 6K8 1% (AC3064)
R70_2	RESISTOR METAL FILM SMD0805 6K8 1% (AC3064)
R70_3	RESISTOR METAL FILM SMD0805 6K8 1% (AC3064)
R70_4	RESISTOR METAL FILM SMD0805 6K8 1% (AC3064)
R101_1	RESISTOR METAL FILM SMD0805 330K 1% (AC3087)
R101_2	RESISTOR METAL FILM SMD0805 330K 1% (AC3087)
R101_3	RESISTOR METAL FILM SMD0805 330K 1% (AC3087)
R102_1	RESISTOR METAL FILM SMD0805 330K 1% (AC3087)
R102_2	RESISTOR METAL FILM SMD0805 330K 1% (AC3087)
R102_3	RESISTOR METAL FILM SMD0805 330K 1% (AC3087)
R3_1	RESISTOR METAL FILM SMD0805 330K 1% (AC3087)
R3_2	RESISTOR METAL FILM SMD0805 330K 1% (AC3087)
R3_3	RESISTOR METAL FILM SMD0805 330K 1% (AC3087)
R3_4	RESISTOR METAL FILM SMD0805 330K 1% (AC3087)
R3_5	RESISTOR METAL FILM SMD0805 330K 1% (AC3087)
R3_6	RESISTOR METAL FILM SMD0805 330K 1% (AC3087)
R5_1	RESISTOR METAL FILM SMD0805 330K 1% (AC3087)
R5_2	RESISTOR METAL FILM SMD0805 330K 1% (AC3087)
R5_3	RESISTOR METAL FILM SMD0805 330K 1% (AC3087)
R5_4	RESISTOR METAL FILM SMD0805 330K 1% (AC3087)
R5_5	RESISTOR METAL FILM SMD0805 330K 1% (AC3087)
R5_6	RESISTOR METAL FILM SMD0805 330K 1% (AC3087)
R8_1	RESISTOR METAL FILM SMD0805 330K 1% (AC3087)
R8_2	RESISTOR METAL FILM SMD0805 330K 1% (AC3087)
R8_3	RESISTOR METAL FILM SMD0805 330K 1% (AC3087)

R8_4	RESISTOR METAL FILM SMD0805 330K 1% (AC3087)
R8_5	RESISTOR METAL FILM SMD0805 330K 1% (AC3087)
R8_6	RESISTOR METAL FILM SMD0805 330K 1% (AC3087)
R96_1	RESISTOR METAL FILM SMD0805 330K 1% (AC3087)
R96_2	RESISTOR METAL FILM SMD0805 330K 1% (AC3087)
R96_3	RESISTOR METAL FILM SMD0805 330K 1% (AC3087)
R98_1	RESISTOR METAL FILM SMD0805 330K 1% (AC3087)
R98_2	RESISTOR METAL FILM SMD0805 330K 1% (AC3087)
R98_3	RESISTOR METAL FILM SMD0805 330K 1% (AC3087)
R9_1	RESISTOR METAL FILM SMD0805 330K 1% (AC3087)
R9_2	RESISTOR METAL FILM SMD0805 330K 1% (AC3087)
R9_3	RESISTOR METAL FILM SMD0805 330K 1% (AC3087)
R9_4	RESISTOR METAL FILM SMD0805 330K 1% (AC3087)
R9_5	RESISTOR METAL FILM SMD0805 330K 1% (AC3087)
R9_6	RESISTOR METAL FILM SMD0805 330K 1% (AC3087)
R153_1	RESISTOR METAL FILM SMD0805 33K 1% (AC3532)
R153_2	RESISTOR METAL FILM SMD0805 33K 1% (AC3532)
R179_1	RESISTOR METAL FILM SMD0805 33K 1% (AC3532)
R179_2	RESISTOR METAL FILM SMD0805 33K 1% (AC3532)
R74_1	RESISTOR CARBON SMD0805 180R 5% (AC4103)
R74_2	RESISTOR CARBON SMD0805 180R 5% (AC4103)
R167_1	RESISTOR CARBON SMD0805 3K9 5% (AC4105)
R167_2	RESISTOR CARBON SMD0805 3K9 5% (AC4105)
R168_1	RESISTOR CARBON SMD0805 3K9 5% (AC4105)
R168_2	RESISTOR CARBON SMD0805 3K9 5% (AC4105)
R193_1	RESISTOR CARBON SMD0805 3K9 5% (AC4105)
R193_2	RESISTOR CARBON SMD0805 3K9 5% (AC4105)
R194_1	RESISTOR CARBON SMD0805 3K9 5% (AC4105)
R194_2	RESISTOR CARBON SMD0805 3K9 5% (AC4105)
R144_1	RESISTOR CARBON SMD0805 5K6 5% (AC4106)
R144_2	RESISTOR CARBON SMD0805 5K6 5% (AC4106)
R148_1	RESISTOR CARBON SMD0805 5K6 5% (AC4106)
R148_2	RESISTOR CARBON SMD0805 5K6 5% (AC4106)
R157_1	RESISTOR CARBON SMD0805 5K6 5% (AC4106)
R157_2	RESISTOR CARBON SMD0805 5K6 5% (AC4106)
R172_1	RESISTOR CARBON SMD0805 5K6 5% (AC4106)
R172_2	RESISTOR CARBON SMD0805 5K6 5% (AC4106)
R176_1	RESISTOR CARBON SMD0805 5K6 5% (AC4106)
R176_2	RESISTOR CARBON SMD0805 5K6 5% (AC4106)
R183_1	RESISTOR CARBON SMD0805 5K6 5% (AC4106)
R183_2	RESISTOR CARBON SMD0805 5K6 5% (AC4106)
R45	RESISTOR CARBON SMD0805 5K6 5% (AC4106)
R46	RESISTOR CARBON SMD0805 5K6 5% (AC4106)
R53	RESISTOR CARBON SMD0805 5K6 5% (AC4106)
R54	RESISTOR CARBON SMD0805 5K6 5% (AC4106)
R67_1	RESISTOR CARBON SMD0805 5K6 5% (AC4106)
R67_2	RESISTOR CARBON SMD0805 5K6 5% (AC4106)
R67_3	RESISTOR CARBON SMD0805 5K6 5% (AC4106)
R67_4	RESISTOR CARBON SMD0805 5K6 5% (AC4106)
R68_1	RESISTOR CARBON SMD0805 5K6 5% (AC4106)

R68_2	RESISTOR CARBON SMD0805 5K6 5% (AC4106)
R68_3	RESISTOR CARBON SMD0805 5K6 5% (AC4106)
R68_4	RESISTOR CARBON SMD0805 5K6 5% (AC4106)
R71_1	RESISTOR CARBON SMD0805 5K6 5% (AC4106)
R71_2	RESISTOR CARBON SMD0805 5K6 5% (AC4106)
R71_3	RESISTOR CARBON SMD0805 5K6 5% (AC4106)
R71_4	RESISTOR CARBON SMD0805 5K6 5% (AC4106)
R72_1	RESISTOR CARBON SMD0805 5K6 5% (AC4106)
R72_2	RESISTOR CARBON SMD0805 5K6 5% (AC4106)
R72_3	RESISTOR CARBON SMD0805 5K6 5% (AC4106)
R72_4	RESISTOR CARBON SMD0805 5K6 5% (AC4106)
RP1	SM RESISTOR PACK 10K x 4 5% 1206 CONC (AC4573)
RP2	SM RESISTOR PACK 10K x 4 5% 1206 CONC (AC4573)
RP3	SM RESISTOR PACK 10K x 4 5% 1206 CONC (AC4573)
RP4	SM RESISTOR PACK 10K x 4 5% 1206 CONC (AC4573)
RP5	SM RESISTOR PACK 10K x 4 5% 1206 CONC (AC4573)
RP6	SM RESISTOR PACK 10K x 4 5% 1206 CONC (AC4573)
RP8	SM RESISTOR PACK 10K x 4 5% 1206 CONC (AC4573)
RP9	SM RESISTOR PACK 10K x 4 5% 1206 CONC (AC4573)
R80	RESISTOR CARBON SMD0805 1K5 (AC4695)
R90	RESISTOR CARBON SMD0805 1K5 (AC4695)
R85	RESISTOR CARBON SMD0805 4R7 5% (AC4893)
R87	RESISTOR CARBON SMD0805 4R7 5% (AC4893)
R55_1	RESISTOR METAL SMD0805 8K2 1% (AC5017)
R55_2	RESISTOR METAL SMD0805 8K2 1% (AC5017)
R55_3	RESISTOR METAL SMD0805 8K2 1% (AC5017)
R55_4	RESISTOR METAL SMD0805 8K2 1% (AC5017)
R60_1	RESISTOR METAL SMD0805 8K2 1% (AC5017)
R60_2	RESISTOR METAL SMD0805 8K2 1% (AC5017)
R60_3	RESISTOR METAL SMD0805 8K2 1% (AC5017)
R60_4	RESISTOR METAL SMD0805 8K2 1% (AC5017)
R61_1	RESISTOR METAL SMD0805 8K2 1% (AC5017)
R61_2	RESISTOR METAL SMD0805 8K2 1% (AC5017)
R61_3	RESISTOR METAL SMD0805 8K2 1% (AC5017)
R61_4	RESISTOR METAL SMD0805 8K2 1% (AC5017)
R66_1	RESISTOR METAL SMD0805 8K2 1% (AC5017)
R66_2	RESISTOR METAL SMD0805 8K2 1% (AC5017)
R66_3	RESISTOR METAL SMD0805 8K2 1% (AC5017)
R66_4	RESISTOR METAL SMD0805 8K2 1% (AC5017)
R83	RES SMD 15K 1% 0805 METAL FILM AC5050
R109	RESISTOR METAL SMD0805 20K 1% (AC5057)
R111	RESISTOR METAL SMD0805 20K 1% (AC5057)
R118	RESISTOR METAL SMD0805 20K 1% (AC5057)
R126	RESISTOR METAL SMD0805 20K 1% (AC5057)
R128	RESISTOR METAL SMD0805 20K 1% (AC5057)
R135	RESISTOR METAL SMD0805 20K 1% (AC5057)
R147_1	RESISTOR METAL SMD0805 20K 1% (AC5057)
R147_2	RESISTOR METAL SMD0805 20K 1% (AC5057)
R149_1	RESISTOR METAL SMD0805 20K 1% (AC5057)
R149_2	RESISTOR METAL SMD0805 20K 1% (AC5057)

R150_1	RESISTOR METAL SMD0805 20K 1% (AC5057)
R150_2	RESISTOR METAL SMD0805 20K 1% (AC5057)
R151_1	RESISTOR METAL SMD0805 20K 1% (AC5057)
R151_2	RESISTOR METAL SMD0805 20K 1% (AC5057)
R155_1	RESISTOR METAL SMD0805 20K 1% (AC5057)
R155_2	RESISTOR METAL SMD0805 20K 1% (AC5057)
R16	RESISTOR METAL SMD0805 20K 1% (AC5057)
R161_1	RESISTOR METAL SMD0805 20K 1% (AC5057)
R161_2	RESISTOR METAL SMD0805 20K 1% (AC5057)
R171_1	RESISTOR METAL SMD0805 20K 1% (AC5057)
R171_2	RESISTOR METAL SMD0805 20K 1% (AC5057)
R173_1	RESISTOR METAL SMD0805 20K 1% (AC5057)
R173_2	RESISTOR METAL SMD0805 20K 1% (AC5057)
R174_1	RESISTOR METAL SMD0805 20K 1% (AC5057)
R174_2	RESISTOR METAL SMD0805 20K 1% (AC5057)
R177_1	RESISTOR METAL SMD0805 20K 1% (AC5057)
R177_2	RESISTOR METAL SMD0805 20K 1% (AC5057)
R181_1	RESISTOR METAL SMD0805 20K 1% (AC5057)
R181_2	RESISTOR METAL SMD0805 20K 1% (AC5057)
R187_1	RESISTOR METAL SMD0805 20K 1% (AC5057)
R187_2	RESISTOR METAL SMD0805 20K 1% (AC5057)
R19	RESISTOR METAL SMD0805 20K 1% (AC5057)
R20	RESISTOR METAL SMD0805 20K 1% (AC5057)
R220	RESISTOR METAL SMD0805 20K 1% (AC5057)
R221	RESISTOR METAL SMD0805 20K 1% (AC5057)
R222	RESISTOR METAL SMD0805 20K 1% (AC5057)
R223	RESISTOR METAL SMD0805 20K 1% (AC5057)
R224	RESISTOR METAL SMD0805 20K 1% (AC5057)
R225	RESISTOR METAL SMD0805 20K 1% (AC5057)
R226	RESISTOR METAL SMD0805 20K 1% (AC5057)
R227	RESISTOR METAL SMD0805 20K 1% (AC5057)
R23	RESISTOR METAL SMD0805 20K 1% (AC5057)
R270	RESISTOR METAL SMD0805 20K 1% (AC5057)
R271	RESISTOR METAL SMD0805 20K 1% (AC5057)
R272	RESISTOR METAL SMD0805 20K 1% (AC5057)
R273	RESISTOR METAL SMD0805 20K 1% (AC5057)
R274	RESISTOR METAL SMD0805 20K 1% (AC5057)
R275	RESISTOR METAL SMD0805 20K 1% (AC5057)
R276	RESISTOR METAL SMD0805 20K 1% (AC5057)
R277	RESISTOR METAL SMD0805 20K 1% (AC5057)
R299_1	RESISTOR METAL SMD0805 20K 1% (AC5057)
R299_2	RESISTOR METAL SMD0805 20K 1% (AC5057)
R300_1	RESISTOR METAL SMD0805 20K 1% (AC5057)
R300_2	RESISTOR METAL SMD0805 20K 1% (AC5057)
R32	RESISTOR METAL SMD0805 20K 1% (AC5057)
R35	RESISTOR METAL SMD0805 20K 1% (AC5057)
R36	RESISTOR METAL SMD0805 20K 1% (AC5057)
R39	RESISTOR METAL SMD0805 20K 1% (AC5057)
R47	RESISTOR METAL SMD0805 20K 1% (AC5057)
R48	RESISTOR METAL SMD0805 20K 1% (AC5057)

R51	RESISTOR METAL SMD0805 20K 1% (AC5057)
R52	RESISTOR METAL SMD0805 20K 1% (AC5057)
R159_1	RESISTOR METAL FILM SMD0805 75R 1% (AC5416)
R159_2	RESISTOR METAL FILM SMD0805 75R 1% (AC5416)
R169_1	RESISTOR METAL FILM SMD0805 75R 1% (AC5416)
R169_2	RESISTOR METAL FILM SMD0805 75R 1% (AC5416)
R18	RESISTOR METAL FILM SMD0805 75R 1% (AC5416)
R185_1	RESISTOR METAL FILM SMD0805 75R 1% (AC5416)
R185_2	RESISTOR METAL FILM SMD0805 75R 1% (AC5416)
R195_1	RESISTOR METAL FILM SMD0805 75R 1% (AC5416)
R195_2	RESISTOR METAL FILM SMD0805 75R 1% (AC5416)
R24	RESISTOR METAL FILM SMD0805 75R 1% (AC5416)
R34	RESISTOR METAL FILM SMD0805 75R 1% (AC5416)
R40	RESISTOR METAL FILM SMD0805 75R 1% (AC5416)
R103_1	RES SMD 68K 1% 0805 METAL FILM AC5427
R103_2	RES SMD 68K 1% 0805 METAL FILM AC5427
R103_3	RES SMD 68K 1% 0805 METAL FILM AC5427
R10_1	RES SMD 68K 1% 0805 METAL FILM AC5427
R10_2	RES SMD 68K 1% 0805 METAL FILM AC5427
R10_3	RES SMD 68K 1% 0805 METAL FILM AC5427
R10_4	RES SMD 68K 1% 0805 METAL FILM AC5427
R10_5	RES SMD 68K 1% 0805 METAL FILM AC5427
R10_6	RES SMD 68K 1% 0805 METAL FILM AC5427
R152_1	RES SMD 68K 1% 0805 METAL FILM AC5427
R152_2	RES SMD 68K 1% 0805 METAL FILM AC5427
R178_1	RES SMD 68K 1% 0805 METAL FILM AC5427
R178_2	RES SMD 68K 1% 0805 METAL FILM AC5427
R6_1	RES SMD 68K 1% 0805 METAL FILM AC5427
R6_2	RES SMD 68K 1% 0805 METAL FILM AC5427
R6_3	RES SMD 68K 1% 0805 METAL FILM AC5427
R6_4	RES SMD 68K 1% 0805 METAL FILM AC5427
R6_5	RES SMD 68K 1% 0805 METAL FILM AC5427
R6_6	RES SMD 68K 1% 0805 METAL FILM AC5427
R99_1	RES SMD 68K 1% 0805 METAL FILM AC5427
R99_2	RES SMD 68K 1% 0805 METAL FILM AC5427
R99_3	RES SMD 68K 1% 0805 METAL FILM AC5427
R260	RES SMD TF 10K 0.5% 0805 MET (H1Y84XR) (AC6018)
R261	RES SMD TF 10K 0.5% 0805 MET (H1Y84XR) (AC6018)
R79	RES SMD TF 10K 0.5% 0805 MET (H1Y84XR) (AC6018)
R283	RESISTOR CARBON SMD0402 47R 1% (AC7281)
R209	RESISTOR CARBON SMD0402 22R 1% (AC7352)
R210	RESISTOR CARBON SMD0402 22R 1% (AC7352)
R211	RESISTOR CARBON SMD0402 22R 1% (AC7352)
R212	RESISTOR CARBON SMD0402 22R 1% (AC7352)
R213	RESISTOR CARBON SMD0402 22R 1% (AC7352)
R214	RESISTOR CARBON SMD0402 22R 1% (AC7352)
R263	RESISTOR CARBON SMD0402 22R 1% (AC7352)
R264	RESISTOR CARBON SMD0402 22R 1% (AC7352)
R281	RESISTOR CARBON SMD0402 22R 1% (AC7352)
R285	RESISTOR CARBON SMD0402 22R 1% (AC7352)

R286	RESISTOR CARBON SMD0402 22R 1% (AC7352)
R77	RESISTOR CARBON SMD0402 22R 1% (AC7352)
R205	RESISTOR CARBON SMD0402 10K 1% (AC7359)
R282	RESISTOR CARBON SMD0402 10K 1% (AC7359)
R284	RESISTOR CARBON SMD0402 10K 1% (AC7359)
R303	RESISTOR CARBON SMD0402 10K 1% (AC7359)
R304	RESISTOR CARBON SMD0402 10K 1% (AC7359)
R290	RESISTOR METAL SMD0402 33K 0.5% (AC8480)
R265	RESISTOR METAL SMD0402 100K 0.5% (AC8486)
U2	IC SMD 74HC4053 (AE3355)
U22_1	IC SMD 74HC4053 (AE3355)
U22_2	IC SMD 74HC4053 (AE3355)
U25_1	IC SMD 74HC4053 (AE3355)
U25_2	IC SMD 74HC4053 (AE3355)
U5	IC SMD 74HC4053 (AE3355)
U8_1	IC SMD 74HC4053 (AE3355)
U8_2	IC SMD 74HC4053 (AE3355)
U8_3	IC SMD 74HC4053 (AE3355)
U8_4	IC SMD 74HC4053 (AE3355)
U9_1	IC SMD 74HC4053 (AE3355)
U9_2	IC SMD 74HC4053 (AE3355)
U9_3	IC SMD 74HC4053 (AE3355)
U9_4	IC SMD 74HC4053 (AE3355)
U20	IC SMD 74HC595 SHIFT REG (AE4709)
U31	IC SMD 74HC595 SHIFT REG (AE4709)
U32	IC SMD 74HC595 SHIFT REG (AE4709)
U33	IC SMD 74HC595 SHIFT REG (AE4709)
U36	IC SMD 74HC595 SHIFT REG (AE4709)
U37	IC SMD 74HC595 SHIFT REG (AE4709)
U14_1	IC SMD LM393 DUAL OP-AMP (AE5068)
U14_2	IC SMD LM393 DUAL OP-AMP (AE5068)
U14_3	IC SMD LM393 DUAL OP-AMP (AE5068)
U1_1	IC SMD LM393 DUAL OP-AMP (AE5068)
U1_2	IC SMD LM393 DUAL OP-AMP (AE5068)
U1_3	IC SMD LM393 DUAL OP-AMP (AE5068)
U1_4	IC SMD LM393 DUAL OP-AMP (AE5068)
U1_5	IC SMD LM393 DUAL OP-AMP (AE5068)
U1_6	IC SMD LM393 DUAL OP-AMP (AE5068)
LD10	LED CYL SUN 3mm CLEAR RED (AE5145)
LD12	LED CYL SUN 3mm CLEAR RED (AE5145)
LD2	LED CYL SUN 3mm CLEAR RED (AE5145)
LD4	LED CYL SUN 3mm CLEAR RED (AE5145)
LD6	LED CYL SUN 3mm CLEAR RED (AE5145)
LD8	LED CYL SUN 3mm CLEAR RED (AE5145)
LD13	LED CYL SUN 3mm CLEAR BLUE (AE5147)
Q12	TRANSISTOR SMD BC856A PNP (AE5205)
Q15	TRANSISTOR SMD BC856A PNP (AE5205)
Q18	TRANSISTOR SMD BC856A PNP (AE5205)
Q9	TRANSISTOR SMD BC856A PNP (AE5205)
Q11	TRANSISTOR SMD MMBFJ111 JFET N CHANNEL (AE5523)

Q14	TRANSISTOR SMD MMBFJ111 JFET N CHANNEL (AE5523)
Q17	TRANSISTOR SMD MMBFJ111 JFET N CHANNEL (AE5523)
Q8	TRANSISTOR SMD MMBFJ111 JFET N CHANNEL (AE5523)
U39	IC SMD 74AHC1G126 SINGLE TRISTATE BUFFER (AE5876)
Q10	TRANSISTOR SMD BC846 NPN (AE6061)
Q13	TRANSISTOR SMD BC846 NPN (AE6061)
Q16	TRANSISTOR SMD BC846 NPN (AE6061)
Q19	TRANSISTOR SMD BC846 NPN (AE6061)
Q1_1	TRANSISTOR SMD BC846 NPN (AE6061)
Q1_2	TRANSISTOR SMD BC846 NPN (AE6061)
Q1_3	TRANSISTOR SMD BC846 NPN (AE6061)
Q1_4	TRANSISTOR SMD BC846 NPN (AE6061)
Q1_5	TRANSISTOR SMD BC846 NPN (AE6061)
Q1_6	TRANSISTOR SMD BC846 NPN (AE6061)
Q20	TRANSISTOR SMD BC846 NPN (AE6061)
Q21	TRANSISTOR SMD BC846 NPN (AE6061)
Q22	TRANSISTOR SMD BC846 NPN (AE6061)
Q23	TRANSISTOR SMD BC846 NPN (AE6061)
Q24	TRANSISTOR SMD BC846 NPN (AE6061)
Q25	TRANSISTOR SMD BC846 NPN (AE6061)
Q26	TRANSISTOR SMD BC846 NPN (AE6061)
Q2_1	TRANSISTOR SMD BC846 NPN (AE6061)
Q2_2	TRANSISTOR SMD BC846 NPN (AE6061)
Q2_3	TRANSISTOR SMD BC846 NPN (AE6061)
Q2_4	TRANSISTOR SMD BC846 NPN (AE6061)
Q2_5	TRANSISTOR SMD BC846 NPN (AE6061)
Q2_6	TRANSISTOR SMD BC846 NPN (AE6061)
Q3_1	TRANSISTOR SMD BC846 NPN (AE6061)
Q3_2	TRANSISTOR SMD BC846 NPN (AE6061)
Q4_1	TRANSISTOR SMD BC846 NPN (AE6061)
Q4_2	TRANSISTOR SMD BC846 NPN (AE6061)
Q6_1	TRANSISTOR SMD BC846 NPN (AE6061)
Q6_2	TRANSISTOR SMD BC846 NPN (AE6061)
Q6_3	TRANSISTOR SMD BC846 NPN (AE6061)
Q7_1	TRANSISTOR SMD BC846 NPN (AE6061)
Q7_2	TRANSISTOR SMD BC846 NPN (AE6061)
Q7_3	TRANSISTOR SMD BC846 NPN (AE6061)
LD1	LED CYL SUN 3mm CLEAR YELLOW (AE6107)
LD11	LED CYL SUN 3mm CLEAR YELLOW (AE6107)
LD3	LED CYL SUN 3mm CLEAR YELLOW (AE6107)
LD5	LED CYL SUN 3mm CLEAR YELLOW (AE6107)
LD7	LED CYL SUN 3mm CLEAR YELLOW (AE6107)
LD9	LED CYL SUN 3mm CLEAR YELLOW (AE6107)
U40	IC SMD 25AA160A 16K SPI Serial EEPROM 16B Page(AE6620)
U34	IC SMD 74AHC541PW OCTAL BUFFER/LINE DRIVERS (AE7596)
U18_1	IC SMD THAT 2162 DUAL VCA (AE8624)
U18_2	IC SMD THAT 2162 DUAL VCA (AE8624)
U26	IC SMD MPU LPC1227FBD48/301 (AE8655)
U13	IC SMD AOZ1051PI 3A SYNC BUCKRegulator(AE8950)
D10	DIODE SMD BAS16 SIGNAL (AE9211)

D11	DIODE SMD BAS16 SIGNAL (AE9211)
D12	DIODE SMD BAS16 SIGNAL (AE9211)
D1_1	DIODE SMD BAS16 SIGNAL (AE9211)
D1_2	DIODE SMD BAS16 SIGNAL (AE9211)
D1_3	DIODE SMD BAS16 SIGNAL (AE9211)
D1_4	DIODE SMD BAS16 SIGNAL (AE9211)
D1_5	DIODE SMD BAS16 SIGNAL (AE9211)
D1_6	DIODE SMD BAS16 SIGNAL (AE9211)
D2_1	DIODE SMD BAS16 SIGNAL (AE9211)
D2_2	DIODE SMD BAS16 SIGNAL (AE9211)
D2_3	DIODE SMD BAS16 SIGNAL (AE9211)
D2_4	DIODE SMD BAS16 SIGNAL (AE9211)
D2_5	DIODE SMD BAS16 SIGNAL (AE9211)
D2_6	DIODE SMD BAS16 SIGNAL (AE9211)
D3_1	DIODE SMD BAS16 SIGNAL (AE9211)
D3_2	DIODE SMD BAS16 SIGNAL (AE9211)
D3_3	DIODE SMD BAS16 SIGNAL (AE9211)
D4_1	DIODE SMD BAS16 SIGNAL (AE9211)
D4_2	DIODE SMD BAS16 SIGNAL (AE9211)
D4_3	DIODE SMD BAS16 SIGNAL (AE9211)
D5	DIODE SMD BAS16 SIGNAL (AE9211)
D6	DIODE SMD BAS16 SIGNAL (AE9211)
D7	DIODE SMD BAS16 SIGNAL (AE9211)
D8	DIODE SMD BAS16 SIGNAL (AE9211)
D9	DIODE SMD BAS16 SIGNAL (AE9211)
U10	IC SMD NJM8080G DUAL OP-AMP (AE9385)
U11	IC SMD NJM8080G DUAL OP-AMP (AE9385)
U12	IC SMD NJM8080G DUAL OP-AMP (AE9385)
U15	IC SMD NJM8080G DUAL OP-AMP (AE9385)
U16	IC SMD NJM8080G DUAL OP-AMP (AE9385)
U17	IC SMD NJM8080G DUAL OP-AMP (AE9385)
U19_1	IC SMD NJM8080G DUAL OP-AMP (AE9385)
U19_2	IC SMD NJM8080G DUAL OP-AMP (AE9385)
U21	IC SMD NJM8080G DUAL OP-AMP (AE9385)
U23_1	IC SMD NJM8080G DUAL OP-AMP (AE9385)
U23_2	IC SMD NJM8080G DUAL OP-AMP (AE9385)
U24_1	IC SMD NJM8080G DUAL OP-AMP (AE9385)
U24_2	IC SMD NJM8080G DUAL OP-AMP (AE9385)
U28_1	IC SMD NJM8080G DUAL OP-AMP (AE9385)
U28_2	IC SMD NJM8080G DUAL OP-AMP (AE9385)
U29_1	IC SMD NJM8080G DUAL OP-AMP (AE9385)
U29_2	IC SMD NJM8080G DUAL OP-AMP (AE9385)
U3	IC SMD NJM8080G DUAL OP-AMP (AE9385)
U30_1	IC SMD NJM8080G DUAL OP-AMP (AE9385)
U30_2	IC SMD NJM8080G DUAL OP-AMP (AE9385)
U35	IC SMD NJM8080G DUAL OP-AMP (AE9385)
U38	IC SMD NJM8080G DUAL OP-AMP (AE9385)
U4	IC SMD NJM8080G DUAL OP-AMP (AE9385)
U6	IC SMD NJM8080G DUAL OP-AMP (AE9385)
U7_1	IC SMD NJM8080G DUAL OP-AMP (AE9385)

U7_2	IC SMD NJM8080G DUAL OP-AMP (AE9385)
U7_3	IC SMD NJM8080G DUAL OP-AMP (AE9385)
U7_4	IC SMD NJM8080G DUAL OP-AMP (AE9385)
C118_1	CAPACITOR CERAMIC SMD0805 100P (AF2847)
C118_2	CAPACITOR CERAMIC SMD0805 100P (AF2847)
C119_1	CAPACITOR CERAMIC SMD0805 100P (AF2847)
C119_2	CAPACITOR CERAMIC SMD0805 100P (AF2847)
C123	CAPACITOR CERAMIC SMD0805 470P (AF2848)
C125	CAPACITOR CERAMIC SMD0805 470P (AF2848)
C56	CAPACITOR CERAMIC SMD0805 10N 50V (AF2849)
C58	CAPACITOR CERAMIC SMD0805 10N 50V (AF2849)
C63	CAPACITOR CERAMIC SMD0805 10N 50V (AF2849)
C65	CAPACITOR CERAMIC SMD0805 10N 50V (AF2849)
C100	CAPACITOR CERAMIC SMD0805 100N 50V (AF2851)
C101	CAPACITOR CERAMIC SMD0805 100N 50V (AF2851)
C102	CAPACITOR CERAMIC SMD0805 100N 50V (AF2851)
C104	CAPACITOR CERAMIC SMD0805 100N 50V (AF2851)
C105	CAPACITOR CERAMIC SMD0805 100N 50V (AF2851)
C106	CAPACITOR CERAMIC SMD0805 100N 50V (AF2851)
C107	CAPACITOR CERAMIC SMD0805 100N 50V (AF2851)
C112	CAPACITOR CERAMIC SMD0805 100N 50V (AF2851)
C113	CAPACITOR CERAMIC SMD0805 100N 50V (AF2851)
C115	CAPACITOR CERAMIC SMD0805 100N 50V (AF2851)
C120	CAPACITOR CERAMIC SMD0805 100N 50V (AF2851)
C14	CAPACITOR CERAMIC SMD0805 100N 50V (AF2851)
C19_1	CAPACITOR CERAMIC SMD0805 100N 50V (AF2851)
C19_2	CAPACITOR CERAMIC SMD0805 100N 50V (AF2851)
C19_3	CAPACITOR CERAMIC SMD0805 100N 50V (AF2851)
C19_4	CAPACITOR CERAMIC SMD0805 100N 50V (AF2851)
C20_1	CAPACITOR CERAMIC SMD0805 100N 50V (AF2851)
C20_2	CAPACITOR CERAMIC SMD0805 100N 50V (AF2851)
C25	CAPACITOR CERAMIC SMD0805 100N 50V (AF2851)
C2_1	CAPACITOR CERAMIC SMD0805 100N 50V (AF2851)
C2_2	CAPACITOR CERAMIC SMD0805 100N 50V (AF2851)
C2_3	CAPACITOR CERAMIC SMD0805 100N 50V (AF2851)
C2_4	CAPACITOR CERAMIC SMD0805 100N 50V (AF2851)
C2_5	CAPACITOR CERAMIC SMD0805 100N 50V (AF2851)
C2_6	CAPACITOR CERAMIC SMD0805 100N 50V (AF2851)
C32	CAPACITOR CERAMIC SMD0805 100N 50V (AF2851)
C36	CAPACITOR CERAMIC SMD0805 100N 50V (AF2851)
C37	CAPACITOR CERAMIC SMD0805 100N 50V (AF2851)
C38	CAPACITOR CERAMIC SMD0805 100N 50V (AF2851)
C39	CAPACITOR CERAMIC SMD0805 100N 50V (AF2851)
C40	CAPACITOR CERAMIC SMD0805 100N 50V (AF2851)
C41	CAPACITOR CERAMIC SMD0805 100N 50V (AF2851)
C43	CAPACITOR CERAMIC SMD0805 100N 50V (AF2851)
C44	CAPACITOR CERAMIC SMD0805 100N 50V (AF2851)
C47_1	CAPACITOR CERAMIC SMD0805 100N 50V (AF2851)
C47_2	CAPACITOR CERAMIC SMD0805 100N 50V (AF2851)
C47_3	CAPACITOR CERAMIC SMD0805 100N 50V (AF2851)

C4_1	CAPACITOR CERAMIC SMD0805 100N 50V (AF2851)
C4_2	CAPACITOR CERAMIC SMD0805 100N 50V (AF2851)
C4_3	CAPACITOR CERAMIC SMD0805 100N 50V (AF2851)
C4_4	CAPACITOR CERAMIC SMD0805 100N 50V (AF2851)
C4_5	CAPACITOR CERAMIC SMD0805 100N 50V (AF2851)
C4_6	CAPACITOR CERAMIC SMD0805 100N 50V (AF2851)
C50_1	CAPACITOR CERAMIC SMD0805 100N 50V (AF2851)
C50_2	CAPACITOR CERAMIC SMD0805 100N 50V (AF2851)
C50_3	CAPACITOR CERAMIC SMD0805 100N 50V (AF2851)
C70	CAPACITOR CERAMIC SMD0805 100N 50V (AF2851)
C71_1	CAPACITOR CERAMIC SMD0805 100N 50V (AF2851)
C71_2	CAPACITOR CERAMIC SMD0805 100N 50V (AF2851)
C74_1	CAPACITOR CERAMIC SMD0805 100N 50V (AF2851)
C74_2	CAPACITOR CERAMIC SMD0805 100N 50V (AF2851)
C75_1	CAPACITOR CERAMIC SMD0805 100N 50V (AF2851)
C75_2	CAPACITOR CERAMIC SMD0805 100N 50V (AF2851)
C98	CAPACITOR CERAMIC SMD0805 100N 50V (AF2851)
C99	CAPACITOR CERAMIC SMD0805 100N 50V (AF2851)
C10	CAPACITOR CERAMIC SMD0805 22P (AF2992)
C12	CAPACITOR CERAMIC SMD0805 22P (AF2992)
C13	CAPACITOR CERAMIC SMD0805 22P (AF2992)
C15_1	CAPACITOR CERAMIC SMD0805 22P (AF2992)
C15_2	CAPACITOR CERAMIC SMD0805 22P (AF2992)
C15_3	CAPACITOR CERAMIC SMD0805 22P (AF2992)
C15_4	CAPACITOR CERAMIC SMD0805 22P (AF2992)
C17_1	CAPACITOR CERAMIC SMD0805 22P (AF2992)
C17_2	CAPACITOR CERAMIC SMD0805 22P (AF2992)
C17_3	CAPACITOR CERAMIC SMD0805 22P (AF2992)
C17_4	CAPACITOR CERAMIC SMD0805 22P (AF2992)
C52	CAPACITOR CERAMIC SMD0805 22P (AF2992)
C53	CAPACITOR CERAMIC SMD0805 22P (AF2992)
C59	CAPACITOR CERAMIC SMD0805 22P (AF2992)
C6	CAPACITOR CERAMIC SMD0805 22P (AF2992)
C60	CAPACITOR CERAMIC SMD0805 22P (AF2992)
C66	CAPACITOR CERAMIC SMD0805 22P (AF2992)
C67	CAPACITOR CERAMIC SMD0805 22P (AF2992)
C7	CAPACITOR CERAMIC SMD0805 22P (AF2992)
C72_1	CAPACITOR CERAMIC SMD0805 22P (AF2992)
C72_2	CAPACITOR CERAMIC SMD0805 22P (AF2992)
C79_1	CAPACITOR CERAMIC SMD0805 22P (AF2992)
C79_2	CAPACITOR CERAMIC SMD0805 22P (AF2992)
C80_1	CAPACITOR CERAMIC SMD0805 22P (AF2992)
C80_2	CAPACITOR CERAMIC SMD0805 22P (AF2992)
C81_1	CAPACITOR CERAMIC SMD0805 22P (AF2992)
C81_2	CAPACITOR CERAMIC SMD0805 22P (AF2992)
C82_1	CAPACITOR CERAMIC SMD0805 22P (AF2992)
C82_2	CAPACITOR CERAMIC SMD0805 22P (AF2992)
C86_1	CAPACITOR CERAMIC SMD0805 22P (AF2992)
C86_2	CAPACITOR CERAMIC SMD0805 22P (AF2992)
C9	CAPACITOR CERAMIC SMD0805 22P (AF2992)

C91_1	CAPACITOR CERAMIC SMD0805 22P (AF2992)
C91_2	CAPACITOR CERAMIC SMD0805 22P (AF2992)
C92_1	CAPACITOR CERAMIC SMD0805 22P (AF2992)
C92_2	CAPACITOR CERAMIC SMD0805 22P (AF2992)
C93_1	CAPACITOR CERAMIC SMD0805 22P (AF2992)
C93_2	CAPACITOR CERAMIC SMD0805 22P (AF2992)
C94_1	CAPACITOR CERAMIC SMD0805 22P (AF2992)
C94_2	CAPACITOR CERAMIC SMD0805 22P (AF2992)
C34	CAPACITOR CERAMIC SMD0805 6N8 (AF2994)
C103	CAPACITOR CERAMIC SMD0805 470N 50V (AF4544)
C114	CAPACITOR CERAMIC SMD0805 470N 50V (AF4544)
C73_1	CAPACITOR CERAMIC SMD0805 47P (AF4700)
C73_2	CAPACITOR CERAMIC SMD0805 47P (AF4700)
C87_1	CAPACITOR CERAMIC SMD0805 47P (AF4700)
C87_2	CAPACITOR CERAMIC SMD0805 47P (AF4700)
C85_1	CAPACITOR CERAMIC SMD0805 150N 25V (AF4888)
C85_2	CAPACITOR CERAMIC SMD0805 150N 25V (AF4888)
C97_1	CAPACITOR CERAMIC SMD0805 150N 25V (AF4888)
C97_2	CAPACITOR CERAMIC SMD0805 150N 25V (AF4888)
C35	CAPACITOR CERAMIC SMD0805 47N (AF4889)
C83_1	CAPACITOR COG SMD0805 2N7 50V (AF5820)
C83_2	CAPACITOR COG SMD0805 2N7 50V (AF5820)
C95_1	CAPACITOR COG SMD0805 2N7 50V (AF5820)
C95_2	CAPACITOR COG SMD0805 2N7 50V (AF5820)
C117	CAPACITOR CERAMIC SMD0402 100N 16V (AF6674)
C3	CAPACITOR CERAMIC SMD0402 100N 16V (AF6674)
C5	CAPACITOR CERAMIC SMD0402 100N 16V (AF6674)
C121_1	CAPACITOR CERAMIC SMD0805 10UF X7R 6.3V (AF8253)
C121_2	CAPACITOR CERAMIC SMD0805 10UF X7R 6.3V (AF8253)
C122_1	CAPACITOR CERAMIC SMD0805 10UF X7R 6.3V (AF8253)
C122_2	CAPACITOR CERAMIC SMD0805 10UF X7R 6.3V (AF8253)
C29	CAPACITOR CERAMIC SMD0805 10UF X7R 6.3V (AF8253)
C30	CAPACITOR CERAMIC SMD0805 10UF X7R 6.3V (AF8253)
C108	CAPACITOR CERAMIC SMD0805 10UF X5R 16V 10% (AF8557)
C109	CAPACITOR CERAMIC SMD0805 10UF X5R 16V 10% (AF8557)
C11	CAPACITOR CERAMIC SMD0805 10UF X5R 16V 10% (AF8557)
C110	CAPACITOR CERAMIC SMD0805 10UF X5R 16V 10% (AF8557)
C111	CAPACITOR CERAMIC SMD0805 10UF X5R 16V 10% (AF8557)
C16_1	CAPACITOR CERAMIC SMD0805 10UF X5R 16V 10% (AF8557)
C16_2	CAPACITOR CERAMIC SMD0805 10UF X5R 16V 10% (AF8557)
C16_3	CAPACITOR CERAMIC SMD0805 10UF X5R 16V 10% (AF8557)
C16_4	CAPACITOR CERAMIC SMD0805 10UF X5R 16V 10% (AF8557)
C18_1	CAPACITOR CERAMIC SMD0805 10UF X5R 16V 10% (AF8557)
C18_2	CAPACITOR CERAMIC SMD0805 10UF X5R 16V 10% (AF8557)
C18_3	CAPACITOR CERAMIC SMD0805 10UF X5R 16V 10% (AF8557)
C18_4	CAPACITOR CERAMIC SMD0805 10UF X5R 16V 10% (AF8557)
C1_1	CAPACITOR CERAMIC SMD0805 10UF X5R 16V 10% (AF8557)
C1_2	CAPACITOR CERAMIC SMD0805 10UF X5R 16V 10% (AF8557)
C1_3	CAPACITOR CERAMIC SMD0805 10UF X5R 16V 10% (AF8557)
C1_4	CAPACITOR CERAMIC SMD0805 10UF X5R 16V 10% (AF8557)

C1_5	CAPACITOR CERAMIC SMD0805 10UF X5R 16V 10% (AF8557)
C1_6	CAPACITOR CERAMIC SMD0805 10UF X5R 16V 10% (AF8557)
C21	CAPACITOR CERAMIC SMD0805 10UF X5R 16V 10% (AF8557)
C22	CAPACITOR CERAMIC SMD0805 10UF X5R 16V 10% (AF8557)
C23	CAPACITOR CERAMIC SMD0805 10UF X5R 16V 10% (AF8557)
C24	CAPACITOR CERAMIC SMD0805 10UF X5R 16V 10% (AF8557)
C46_1	CAPACITOR CERAMIC SMD0805 10UF X5R 16V 10% (AF8557)
C46_2	CAPACITOR CERAMIC SMD0805 10UF X5R 16V 10% (AF8557)
C46_3	CAPACITOR CERAMIC SMD0805 10UF X5R 16V 10% (AF8557)
C48_1	CAPACITOR CERAMIC SMD0805 10UF X5R 16V 10% (AF8557)
C48_2	CAPACITOR CERAMIC SMD0805 10UF X5R 16V 10% (AF8557)
C48_3	CAPACITOR CERAMIC SMD0805 10UF X5R 16V 10% (AF8557)
C54	CAPACITOR CERAMIC SMD0805 10UF X5R 16V 10% (AF8557)
C55	CAPACITOR CERAMIC SMD0805 10UF X5R 16V 10% (AF8557)
C57	CAPACITOR CERAMIC SMD0805 10UF X5R 16V 10% (AF8557)
C61	CAPACITOR CERAMIC SMD0805 10UF X5R 16V 10% (AF8557)
C62	CAPACITOR CERAMIC SMD0805 10UF X5R 16V 10% (AF8557)
C64	CAPACITOR CERAMIC SMD0805 10UF X5R 16V 10% (AF8557)
C68	CAPACITOR CERAMIC SMD0805 10UF X5R 16V 10% (AF8557)
C69	CAPACITOR CERAMIC SMD0805 10UF X5R 16V 10% (AF8557)
C76_1	CAPACITOR CERAMIC SMD0805 10UF X5R 16V 10% (AF8557)
C76_2	CAPACITOR CERAMIC SMD0805 10UF X5R 16V 10% (AF8557)
C77_1	CAPACITOR CERAMIC SMD0805 10UF X5R 16V 10% (AF8557)
C77_2	CAPACITOR CERAMIC SMD0805 10UF X5R 16V 10% (AF8557)
C78_1	CAPACITOR CERAMIC SMD0805 10UF X5R 16V 10% (AF8557)
C78_2	CAPACITOR CERAMIC SMD0805 10UF X5R 16V 10% (AF8557)
C8	CAPACITOR CERAMIC SMD0805 10UF X5R 16V 10% (AF8557)
C84_1	CAPACITOR CERAMIC SMD0805 10UF X5R 16V 10% (AF8557)
C84_2	CAPACITOR CERAMIC SMD0805 10UF X5R 16V 10% (AF8557)
C88_1	CAPACITOR CERAMIC SMD0805 10UF X5R 16V 10% (AF8557)
C88_2	CAPACITOR CERAMIC SMD0805 10UF X5R 16V 10% (AF8557)
C89_1	CAPACITOR CERAMIC SMD0805 10UF X5R 16V 10% (AF8557)
C89_2	CAPACITOR CERAMIC SMD0805 10UF X5R 16V 10% (AF8557)
C90_1	CAPACITOR CERAMIC SMD0805 10UF X5R 16V 10% (AF8557)
C90_2	CAPACITOR CERAMIC SMD0805 10UF X5R 16V 10% (AF8557)
C96_1	CAPACITOR CERAMIC SMD0805 10UF X5R 16V 10% (AF8557)
C96_2	CAPACITOR CERAMIC SMD0805 10UF X5R 16V 10% (AF8557)
C28	CAPACITOR CERAMIC SMD1206 10UF X5R 25V 10% (AF8942)
C33	CAPACITOR CERAMIC SMD0805 270P 50V (AF9056)
C126	CAPACITOR CERAMIC SMD1206 47UF X5R 25V (AF9737)
VR1_1	POT ALPS 14mm 20KB x2 C/D 203B (AI8006)
VR1_2	POT ALPS 14mm 20KB x2 C/D 203B (AI8006)
VR2_1	POT ALPS 14mm 20KB x2 C/D 203B (AI8006)
VR2_2	POT ALPS 14mm 20KB x2 C/D 203B (AI8006)
VR3	POT ALPS VERT 11mm 10KB(RK11K1140A9L) (AI8493)
VR4	POT ALPS VERT 11mm 10KB(RK11K1140A9L) (AI8493)
CN13	Connector IDC,Molex Type 0.1" Pitch SIL 8 pins (AL0045)
CN9	Connector IDC,Molex Type 0.1" Pitch SIL 8 pins (AL0045)
JP1	JUMP 2 OPTION JUMPER (AL0334)
JP15_1	JUMP 2 OPTION JUMPER (AL0334)

JP15_2	JUMP 2 OPTION JUMPER (AL0334)
JP15_3	JUMP 2 OPTION JUMPER (AL0334)
JP15_4	JUMP 2 OPTION JUMPER (AL0334)
JP17_1	JUMP 2 OPTION JUMPER (AL0334)
JP17_2	JUMP 2 OPTION JUMPER (AL0334)
JP17_3	JUMP 2 OPTION JUMPER (AL0334)
JP17_4	JUMP 2 OPTION JUMPER (AL0334)
JP8	JUMP 2 OPTION JUMPER (AL0334)
CN1	XLR 3 PIN FEMALE WITH GROUND (AL2414)
CN8	Connector BOX,Molex Type 0.1" Pitch 5x2 pins (AL4662)
CN2	JACK SOCKET SWITCHED 5 PIN 3.5MM(TREMIVER) (AL5323)
CN7	Connector BOX,Molex Type 0.1" Pitch 25x2 pins (AL5563)
F1	FUSE SMD POLYFUSE RESETTABLE 0.5A WICKMAN (AL6307)
CN12	Connector IDC,Molex Type 0.1" Pitch 3x2 pins (AL6670)
SW1	SWITCH DPDT WMF LATCHING (AL6824)
JP10	JUMP 2 OPTION LINK (AL8068)
JP11	JUMP 2 OPTION LINK (AL8068)
JP12	JUMP 2 OPTION LINK (AL8068)
JP13	JUMP 2 OPTION LINK (AL8068)
JP14	JUMP 2 OPTION LINK (AL8068)
JP16_1	JUMP 2 OPTION LINK (AL8068)
JP16_2	JUMP 2 OPTION LINK (AL8068)
JP16_3	JUMP 2 OPTION LINK (AL8068)
JP16_4	JUMP 2 OPTION LINK (AL8068)
JP18_1	JUMP 2 OPTION LINK (AL8068)
JP18_2	JUMP 2 OPTION LINK (AL8068)
JP18_3	JUMP 2 OPTION LINK (AL8068)
JP18_4	JUMP 2 OPTION LINK (AL8068)
JP19_1	JUMP 2 OPTION LINK (AL8068)
JP19_2	JUMP 2 OPTION LINK (AL8068)
JP2	JUMP 2 OPTION LINK (AL8068)
JP20	JUMP 2 OPTION LINK (AL8068)
JP21	JUMP 2 OPTION LINK (AL8068)
JP22_1	JUMP 2 OPTION LINK (AL8068)
JP22_2	JUMP 2 OPTION LINK (AL8068)
JP23_1	JUMP 2 OPTION LINK (AL8068)
JP23_2	JUMP 2 OPTION LINK (AL8068)
JP3	JUMP 2 OPTION LINK (AL8068)
JP4	JUMP 2 OPTION LINK (AL8068)
JP5	JUMP 2 OPTION LINK (AL8068)
JP6	JUMP 2 OPTION LINK (AL8068)
JP7	JUMP 2 OPTION LINK (AL8068)
JP9	JUMP 2 OPTION LINK (AL8068)
SW2	SWITCH DPDT ALPS (SPUJ) MOMENTARY (AL8170)
SW3	SWITCH DPDT ALPS (SPUJ) MOMENTARY (AL8170)
SW4	SWITCH DPDT ALPS (SPUJ) MOMENTARY (AL8170)
SW5	SWITCH DPDT ALPS (SPUJ) MOMENTARY (AL8170)
CN3	Connector IDC,Molex Type 0.1" Pitch 10x2 pins 19.5mm SPACER
CN4	Connector IDC,Molex Type 0.1" Pitch 10x2 pins 19.5mm SPACER
CN5	Connector IDC,Molex Type 0.1" Pitch 10x2 pins 19.5mm SPACER

L2	INDUCTOR TDK 51UH ACT 45B-510-2P Common Mode 0.2A (AM6624)
L1	INDUCTOR 4.7UH 1.3A
ATE1	HOLE TOOLING 3.5 mm
ATE2	HOLE TOOLING 3.5 mm
ATE3	HOLE TOOLING 3.5 mm
ATE4	HOLE TOOLING 3.5 mm
C31	CAPACITOR CERAMIC SMD0805 NOT FITTED
CN10	Not Fitted Connector BOX,Molex Type 0.1" Pitch 5x2 pins
FID1	SMD FIDUCIAL
FID2	SMD FIDUCIAL
FID3	SMD FIDUCIAL
FID4	SMD FIDUCIAL
P10	MINIMAL TEST POINT (NO LEGEND)
P11	MINIMAL TEST POINT (NO LEGEND)
P12	MINIMAL TEST POINT (NO LEGEND)
P7	MINIMAL TEST POINT (NO LEGEND)
P8	MINIMAL TEST POINT (NO LEGEND)
P9	MINIMAL TEST POINT (NO LEGEND)
R310	RESISTOR SMD NOT FITTED 0402
R311	RESISTOR SMD NOT FITTED 0402
R312	RESISTOR SMD NOT FITTED 0402
R313	RESISTOR SMD NOT FITTED 0805
R314	RESISTOR SMD NOT FITTED 0805
R78	RESISTOR SMD NOT FITTED 0805