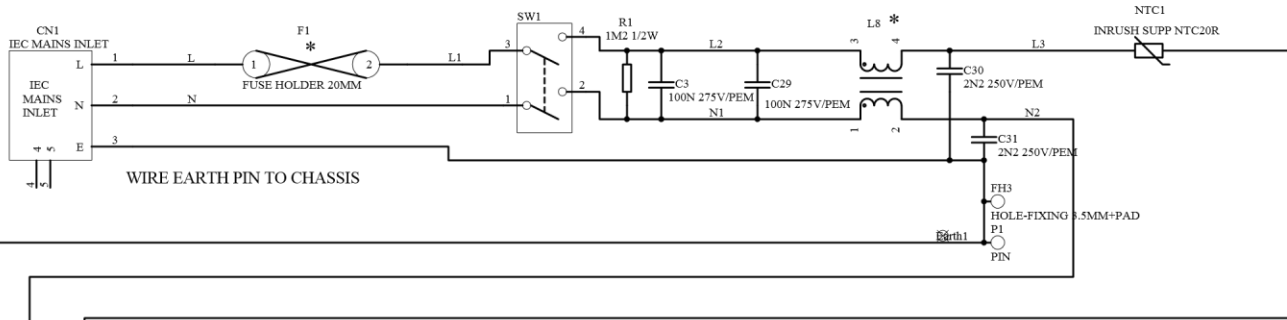
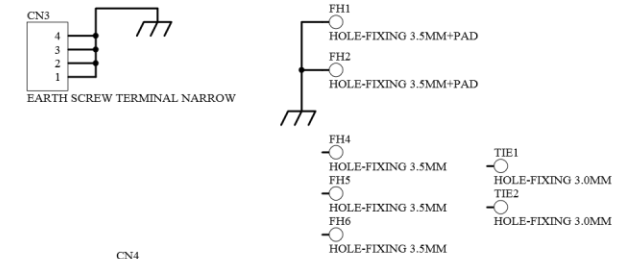


AC INLET

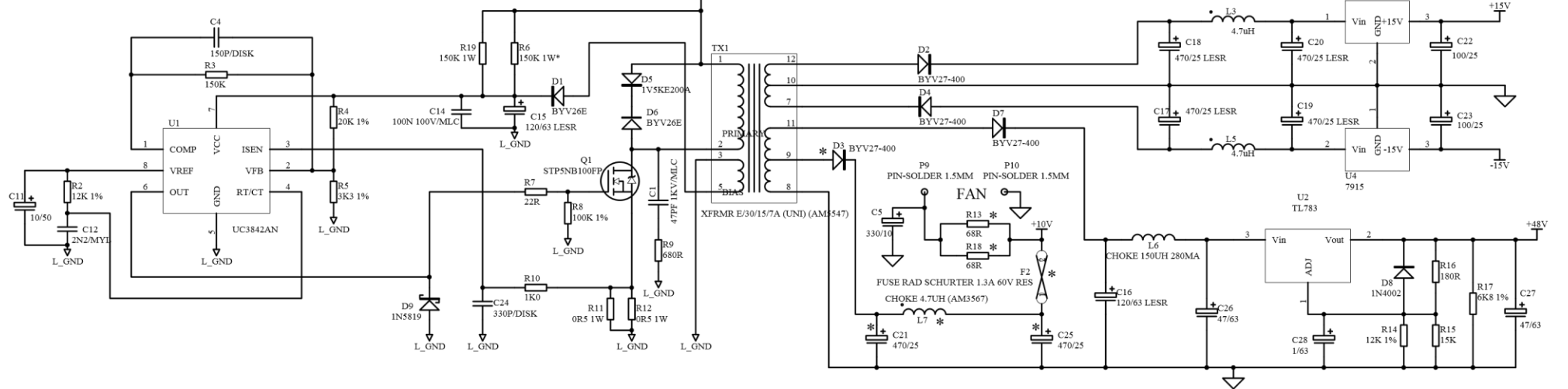
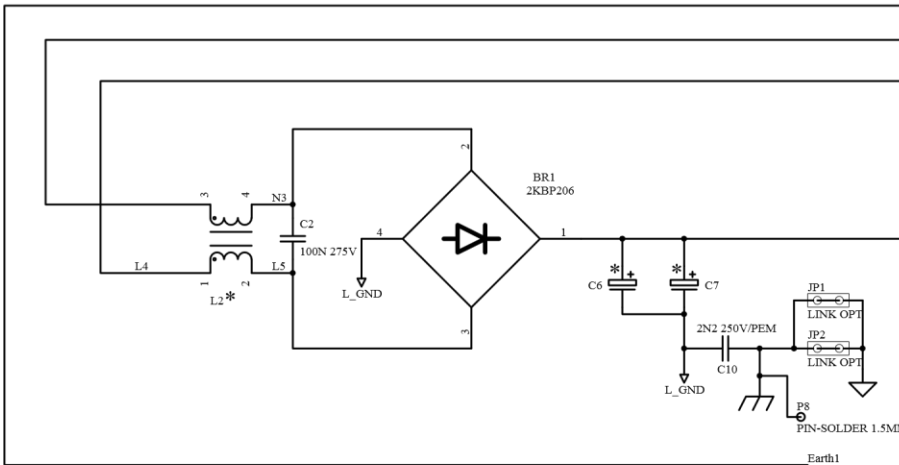
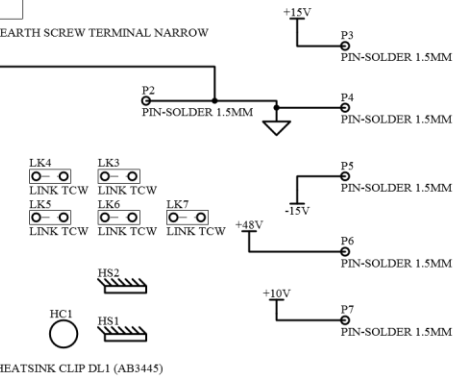


MOUNTING BRACKET CONTACT TO CHASSIS



* = COMPONENT DIFFERENCES BETWEEN PSU ASSEMBLIES

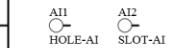
DESIG	ZED-14 003-661	ZED-24 003-778	ZED-12/22FX 003-776	ZED-420/428/436 003-741	ZED-R16 003-850
C6	68UF 400V	68UF 400V	68UF 400V	180UF 400V	68UF 400V
C7	NF	68UF 400V	68UF 400V	68UF 400V	68UF 400V
D3	NF	NF	FIT	FIT	FIT
C21 & C25	NF	NF	FIT	FIT	FIT
L7	NF	NF	FIT	FIT	FIT
R13 & R18	NF	NF	FIT	FIT	FIT
F2	NF	NF	AL5598 1.3A	WIRE LINK FITTED	AL7272 2.7A
F1	T630mAL	T1AL	T1AL	T1.6AL	T1.6AL
L2 & L8	22mH	22mH	22mH	8mH	8mH



ALLEN&HEATH

Kernick Industrial Estate,
Penryn, Cornwall,
England. TR10 9LU
Tel: +44 (0)1326 372070
Fax: +44 (0)1326 370153

ISSUE	BY	DATE	CHK BY
A	MG	29/06/06	
B	MG	20-07-07	
1	AAT	14-09-07	
2	MG	26-10-07	
3	MG	07/08/08	



A FAN IS USED TO COOL THE REGULATOR HEATSINK ON THE ZED-428 AND 436 MODELS
A GOSS SHIELD IS FITTED AROUND L8 FOR MAGNETIC SHIELDING

* All parts to be RoHS Compliant

TITLE: ZED MIXER PSU

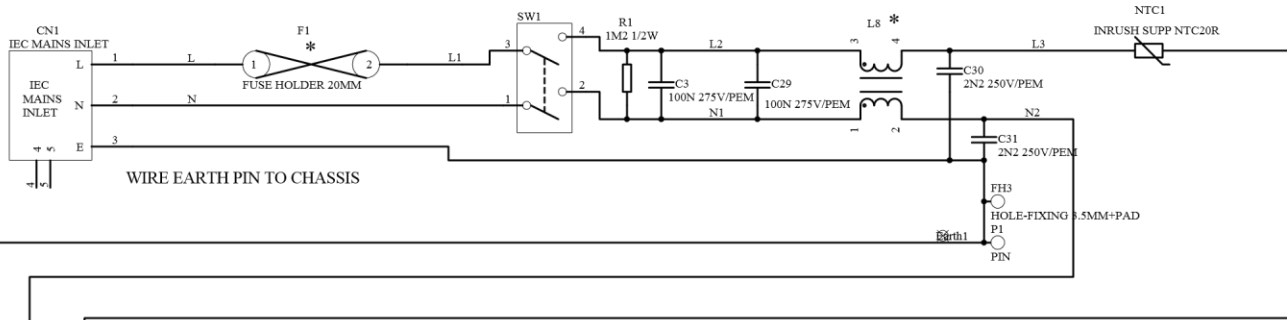
PAGE:

FILE: C7075_3.Sch

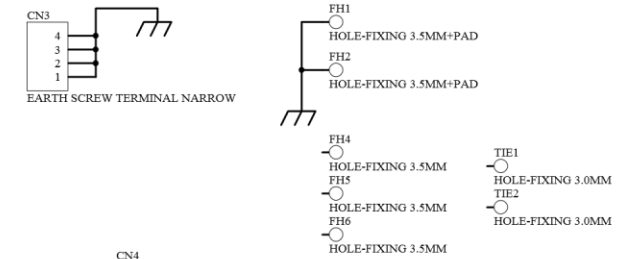
PRINTED: 13:39:13 13-Aug-2008

DRG No: C7075 ISSUE: 3 SHEET: 1 OF 1

AC INLET

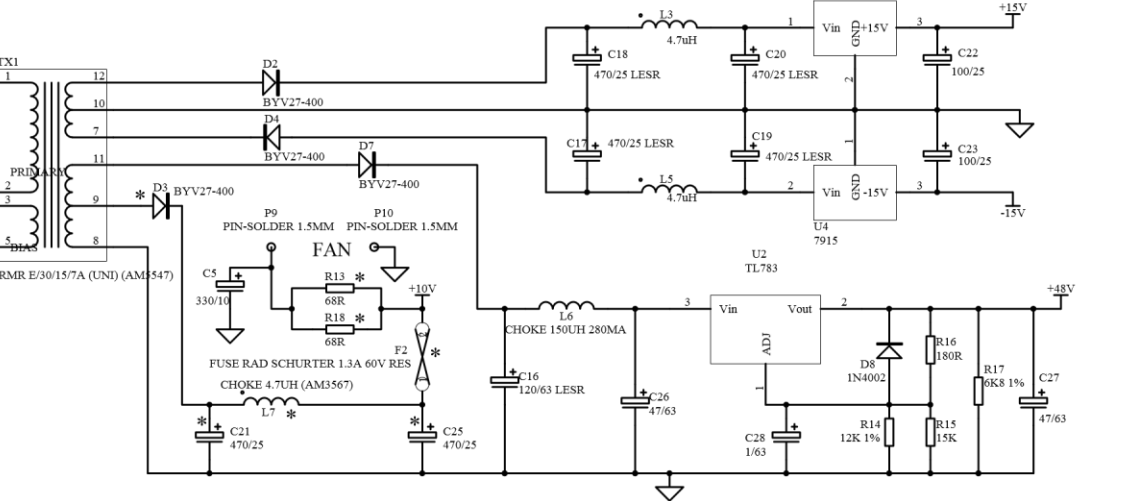
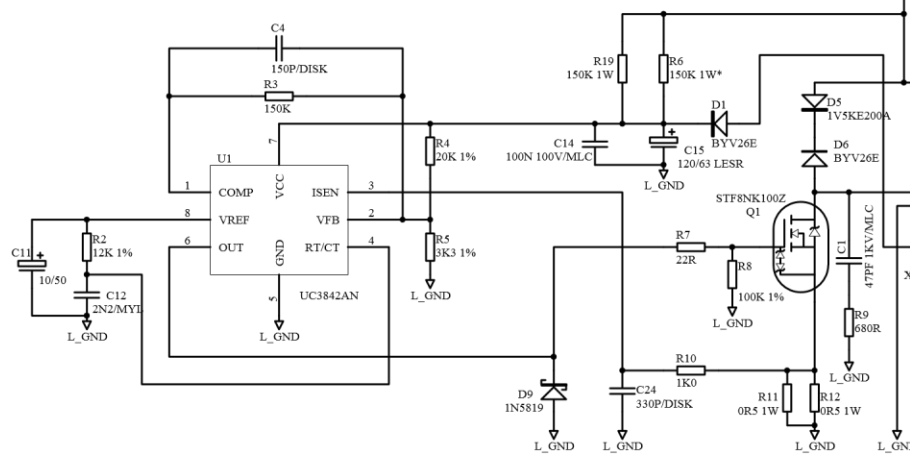
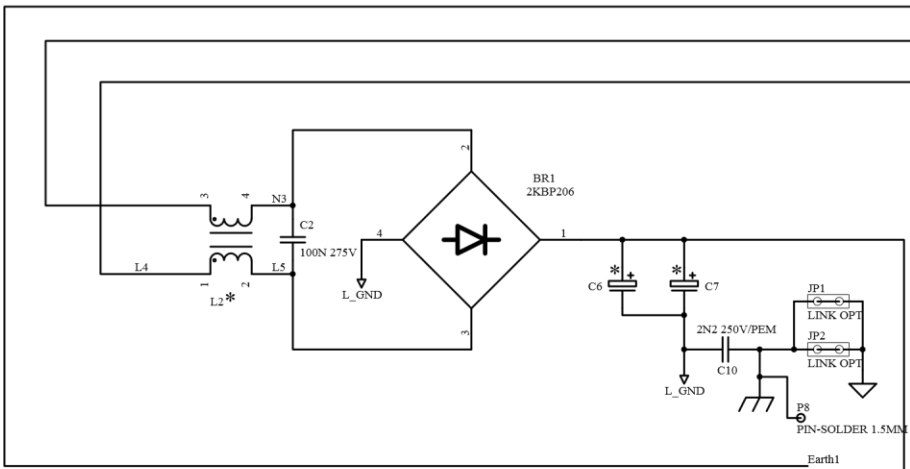


MOUNTING BRACKET CONTACT TO CHASSIS



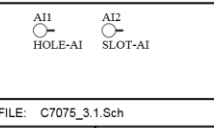
* = COMPONENT DIFFERENCES BETWEEN PSU ASSEMBLIES

DESIG	ZED-14 003-661	ZED-24 003-778	ZED-12/22FX ZED-B14 003-776	ZED-420/428/436 003-741	ZED-R16 003-850
C6	68UF 400V	68UF 400V	68UF 400V	180UF 400V	68UF 400V
C7	NF	68UF 400V	68UF 400V	68UF 400V	68UF 400V
D3	NF	NF	FIT	FIT	FIT
C21 & C25	NF	NF	FIT	FIT	FIT
L7	NF	NF	FIT	FIT	FIT
R13 & R18	NF	NF	FIT	FIT	FIT
F2	NF	NF	AL5598 1.3A	WIRE LINK FITTED	AL7272 2.7A
F1	T630mAL	T1AL	T1AL	T1.6AL	T1.6AL
L2 & L8	22mH	22mH	22mH	8mH	8mH



ALLEN & HEATH
Kernick Industrial Estate,
Penryn, Cornwall,
England, TR10 9LU
Tel: +44 (0)1326 372070
Fax: +44 (0)1326 370153

ISSUE	BY	DATE	CHK BY
A	MG	29/06/06	
B	MG	20-07-07	
1	AAT	14-09-07	
2	MG	26-10-07	
3	MG	07/08/08	
3.1	AAT	13-05-09	



A FAN IS USED TO COOL THE REGULATOR HEATSINK ON THE ZED-428 AND 436 MODELS
A GOSS SHIELD IS FITTED AROUND L8 FOR MAGNETIC SHIELDING
* All parts to be RoHS Compliant

TITLE: ZED MIXER PSU
PAGE:
DRG No: C7075 ISSUE: 3.1 SHEET: 1 OF 1
PRINTED: 14:06:59 13-May-2009