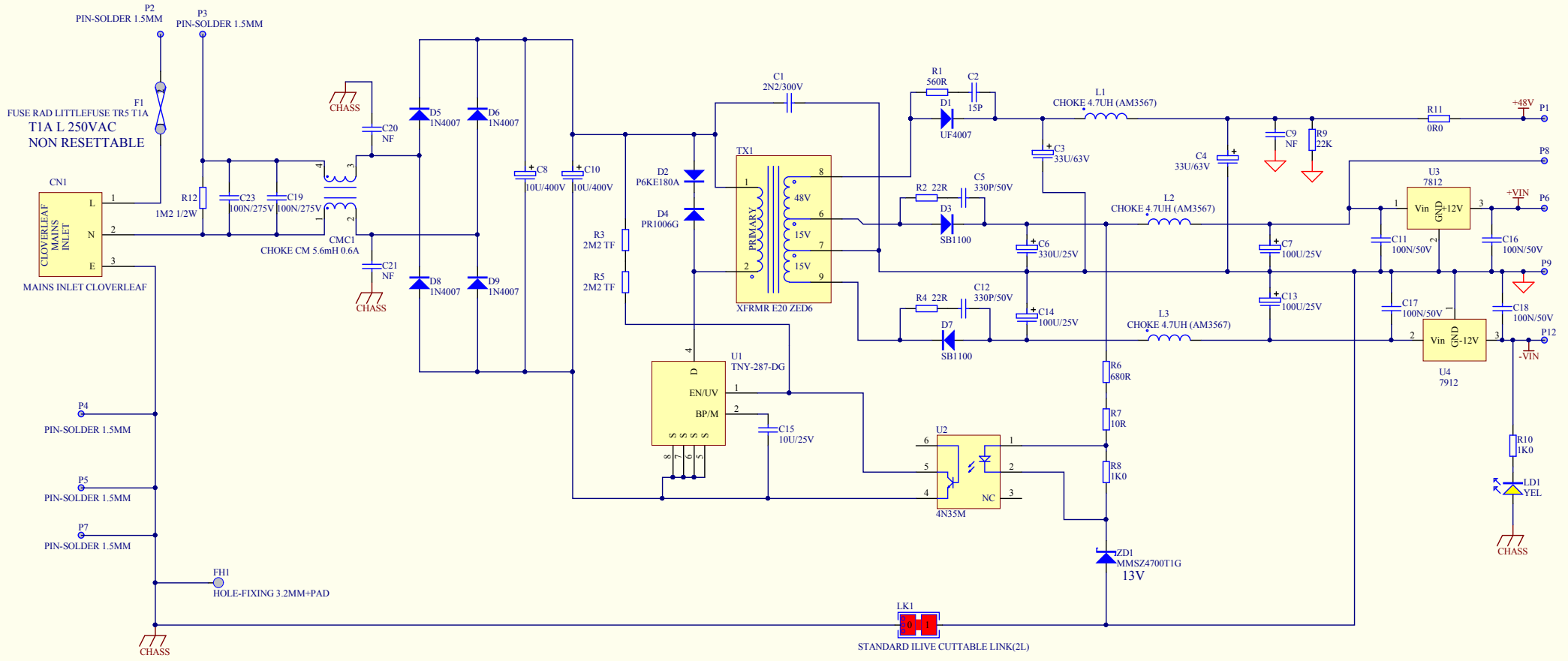


PLEASE SEE TEXT NOTES FOR ADJUSTMENTS



- LK3 LINK TCW
- LK2 LINK TCW
- FID1 FID_MINATURE
- FID2 FID_MINATURE
- HOLE-TOOLING 3.5MM
- ATE1
- ATE2
- ATE3
- ATE4

ALLEN & HEATH
 Kernick Industrial Estate,
 Penryn, Cornwall,
 England. TR10 9LU
 Tel: +44 (0)1326 372070
 Fax: +44 (0)1326 370153

REV	BY	DATE	ECN	CHK
1.1	MG	29-06-15		
2	MG	14-09-15		
3	VC	21-12-15		MG

Edit in Project Options. Parameters Tab.
 FILE: C9946_3.SchDoc

VCS Revision Not in version control
 PRINTED: 14:04:40 25/01/2016

ASSEMBLY PROD(004-656)
 * All parts to be RoHS Compliant *

ZEDi 8
 TITLE: PSU
 PAGE:
 DRG No: C9946 ISSUE: 3 SHEET: 1 OF 1

Description	Designator
HOLE TOOLING 3.5 mm	ATE1
HOLE TOOLING 3.5 mm	ATE2
HOLE TOOLING 3.5 mm	ATE3
HOLE TOOLING 3.5 mm	ATE4
CAPACITOR METALISED POLYESTER 2N2 300V Y2/X1 (AF3071)	C1
CAP SMD 15PF 200V CER 0805 (MULTICOMP) (AF10080)	C2
CAPACITOR ELECTROLYTIC 33uF 63V LESR (AF10201)	C3
CAPACITOR ELECTROLYTIC 33uF 63V LESR (AF10201)	C4
CAPACITOR CERAMIC SMD0805 330P 50V (AF4696)	C5
CAPACITOR ELECTROLYTIC 330uF 25V LESR (AF3154)	C6
CAPACITOR ELECTROLYTIC 100uF 25V (AF0221)	C7
CAPACITOR ELECTROLYTIC 10uF 400V (AF3481)	C8
CAPACITOR CERAMIC SMD1210 NOT FITTED	C9
CAPACITOR ELECTROLYTIC 10uF 400V (AF3481)	C10
CAPACITOR CERAMIC SMD0805 100N 50V (AF2851)	C11
CAPACITOR CERAMIC SMD0805 330P 50V (AF4696)	C12
CAPACITOR ELECTROLYTIC 100uF 25V (AF0221)	C13
CAPACITOR ELECTROLYTIC 100uF 25V LESR (AF10202)	C14
CAPACITOR CERAMIC SMD1206 10UF X5R 25V 10% (AF8942)	C15
CAPACITOR CERAMIC SMD0805 100N 50V (AF2851)	C16
CAPACITOR CERAMIC SMD0805 100N 50V (AF2851)	C17
CAPACITOR CERAMIC SMD0805 100N 50V (AF2851)	C18
CAPACITOR METALISED POLYESTER 100NF 275V X2 (AF3073)	C19
CAPACITOR METALISED POLYESTER 2N2 300V Y2/X1 (AF3071)	C20
CAPACITOR METALISED POLYESTER 2N2 300V Y2/X1 (AF3071)	C21
CAPACITOR METALISED POLYESTER 100NF 275V X2 (AF3073)	C23
INDUCTOR 5.6mH 0.6A CMC (WURTH) (AM10081)	CMC1
MAINS INLET IEC PCB 2.5A 3P JR307 (PCA) (MULTICOMP) (AL10007)	CN1
DIODE UF4007 RECTIFIER 1A 1KV (AE10200)	D1
DIODE P6KE180A TAPED (AE10082)	D2
DIODE SB1100 RECTIFIER 1A (AE10083)	D3
DIODE PR1006G RECTIFIER 1A 800V (AE10091)	D4
DIODE 1N4007 RECTIFIER 1A 1KV (AE5075)	D5
DIODE 1N4007 RECTIFIER 1A 1KV (AE5075)	D6
DIODE SB1100 RECTIFIER 1A (AE10083)	D7
DIODE 1N4007 RECTIFIER 1A 1KV (AE5075)	D8
DIODE 1N4007 RECTIFIER 1A 1KV (AE5075)	D9
FUSE TR5 1A A/SURGE RADIAL (LITTLEFUSE) (AL10084)	F1
SMD FID_MINATURE	FID1
SMD FID_MINATURE	FID2
CHOKE 4.7UH (AM3567)	L1
CHOKE 4.7UH (AM3567)	L2
CHOKE 4.7UH (AM3567)	L3
LED CYL SUN 3mm CLEAR YELLOW (AE6107)	LD1
TC WIRE LINK ,AH0070	LK2
TC WIRE LINK ,AH0070	LK3
RESISTOR METAL FILM SMD0805 560R 1% (AC3057)	R1
RESISTOR SMD1206 22R 1% (AC5599)	R2
RES SMD TF 2M2 1% 0805 MET (CR-05FLX---2M2) (AC9371)	R3

RESISTOR SMD1206 22R 1% (AC5599)	R4
RES SMD TF 2M2 1% 0805 MET (CR-05FLX---2M2) (AC9371)	R5
RESISTOR METAL FILM SMD0805 680R 1% (AC3058)	R6
RESISTOR CARBON SMD0805 10R 5% (AC3027)	R7
RESISTOR METAL FILM SMD0805 1K0 1% (AC0369)	R8
RESISTOR METAL FILM SMD0805 22K 1% (AC2842)	R9
RESISTOR METAL FILM SMD0805 1K0 1% (AC0369)	R10
RESISTOR CARBON 0R0 1/4W 5% (AC0335)	R11
RESISTOR METAL FILM 1M2 1/2W 5% (AC3691)	R12
TRANSFMR ZED 6 (AM10085)	TX1
IC SMD MOSFET SW. TNY287D SO-8C (POWER INTEG) (AE10087)	U1
IC OPTO ISOLATOR	U2
REG 7812 12V (AE3588)	U3
REG 7912 -12V (AE3589)	U4
DIODE SMD MMSZ4700T1G SCHOTTKY ONSEMI 0.5W 13V	ZD1