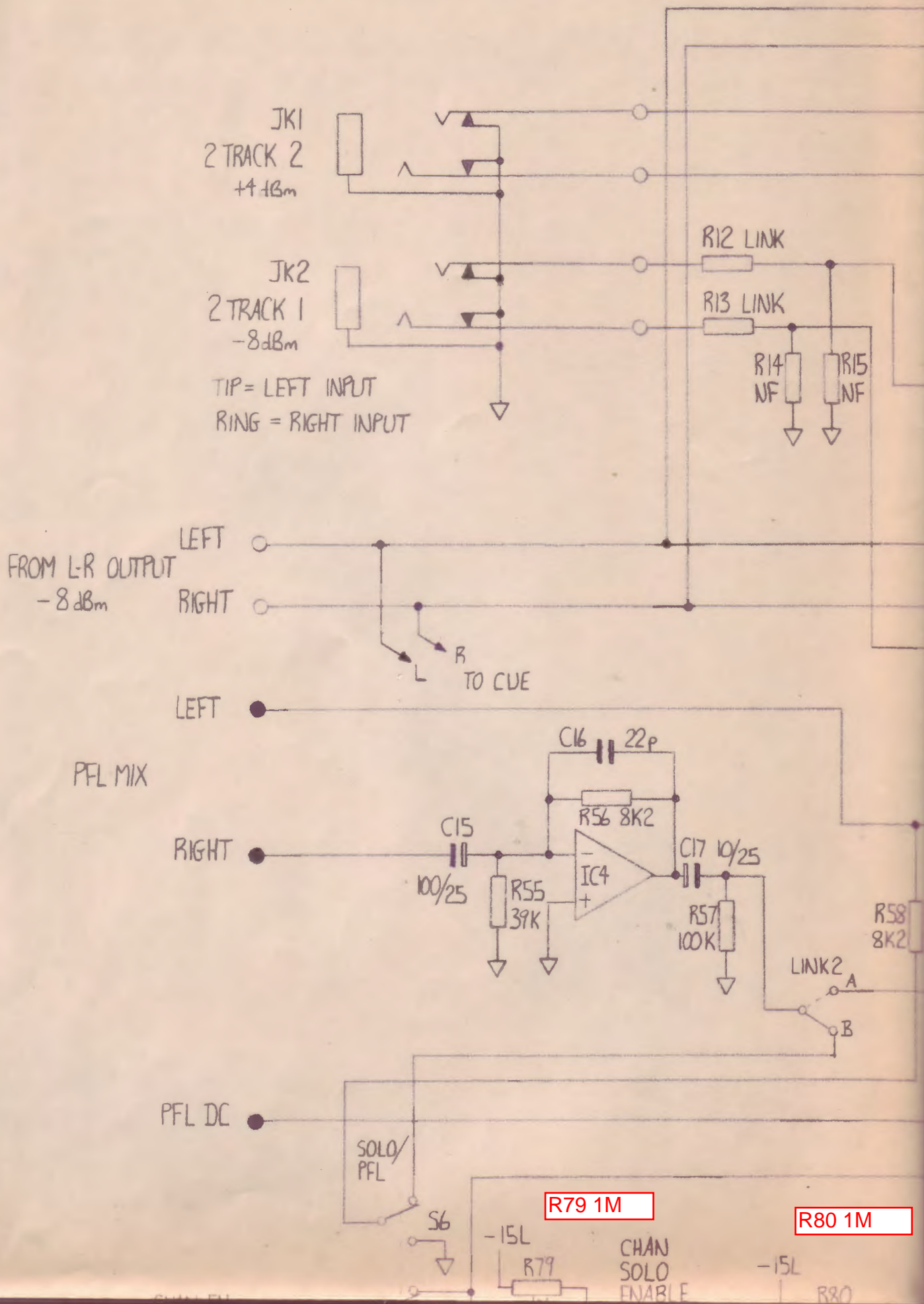
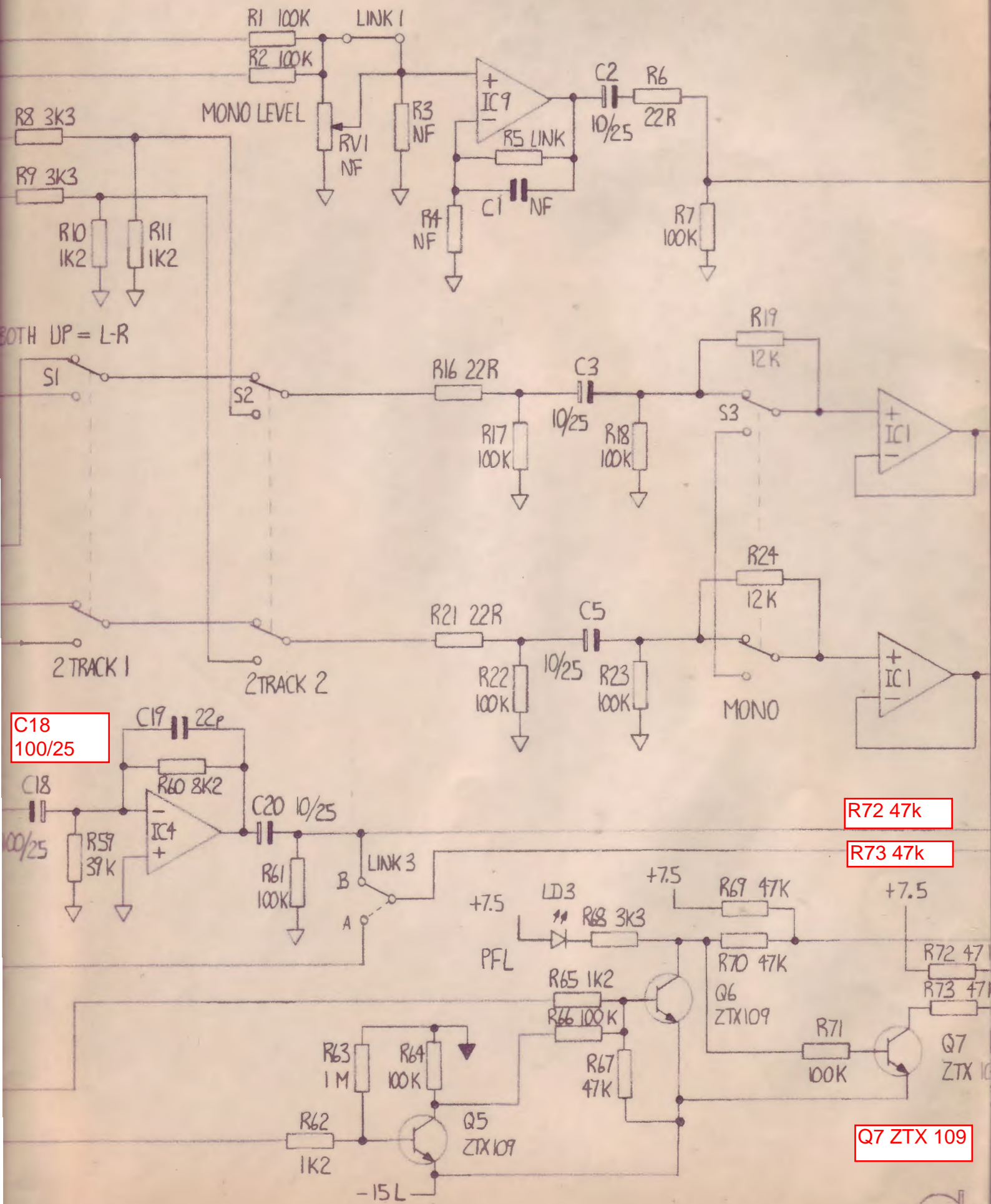


DRAWING NO.



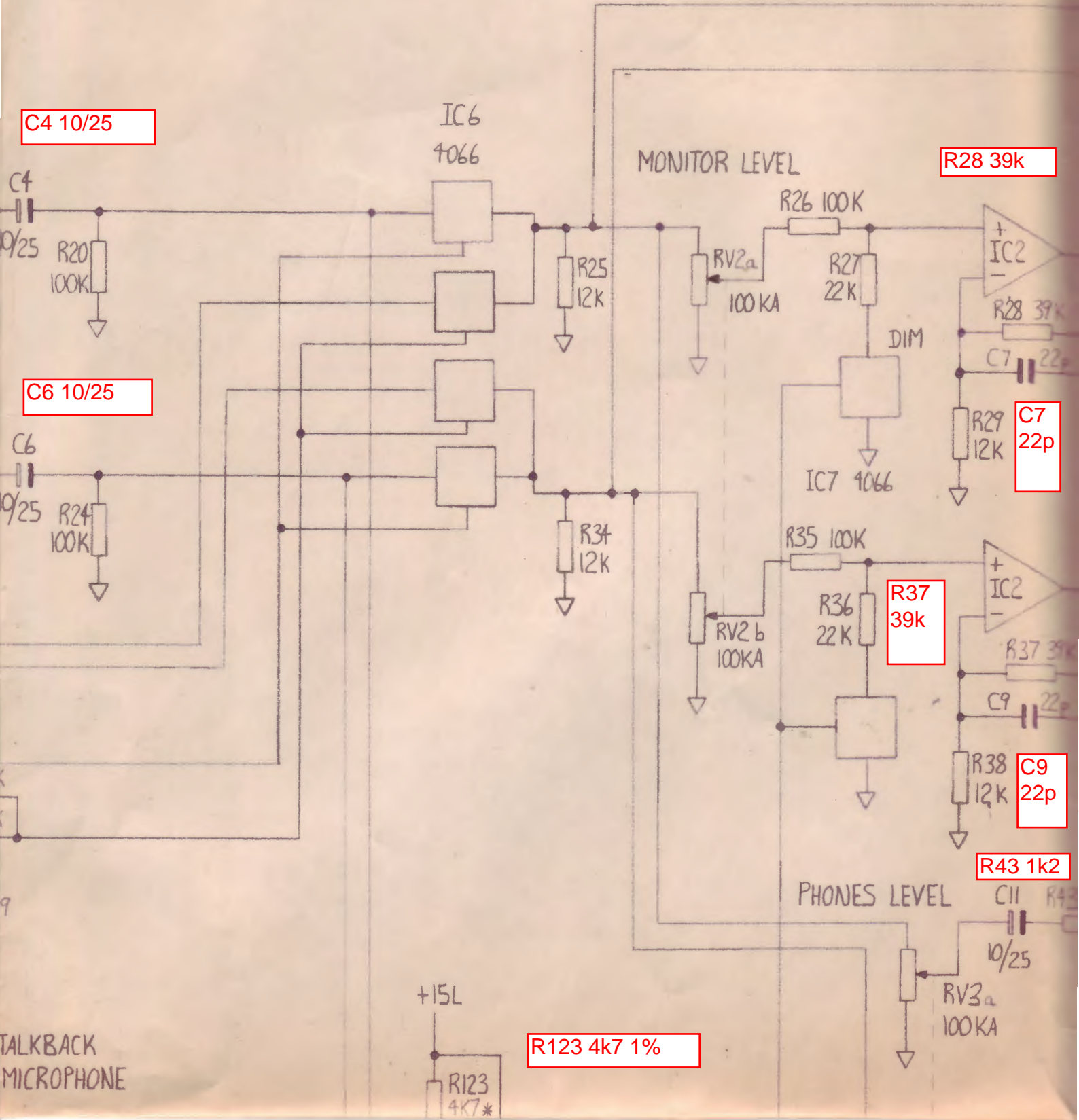
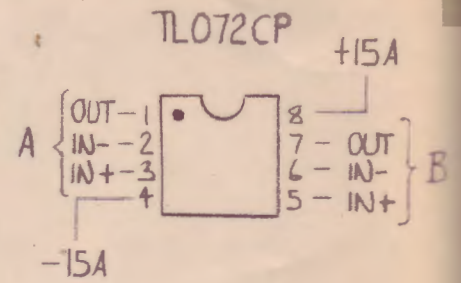
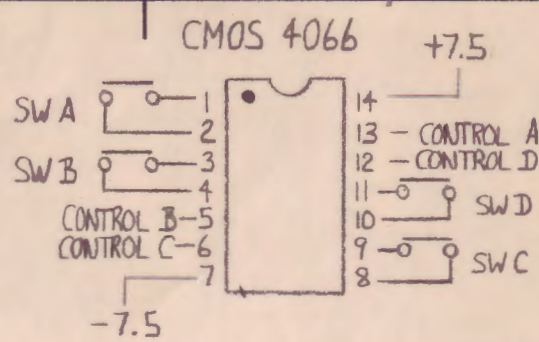


C18
100/25

R72 47k

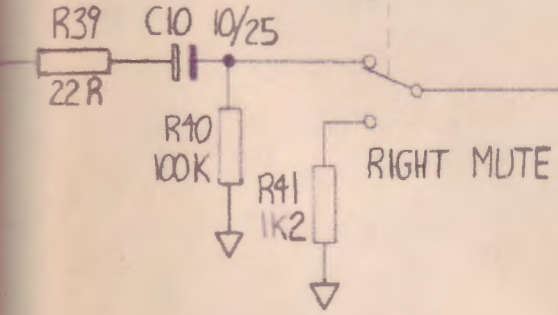
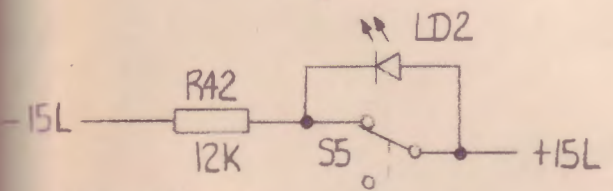
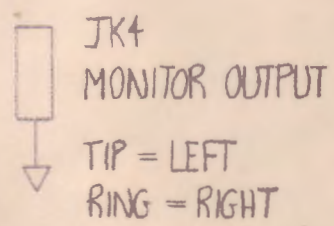
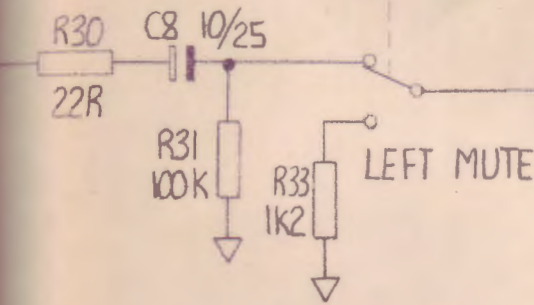
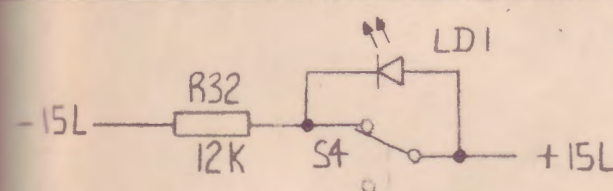
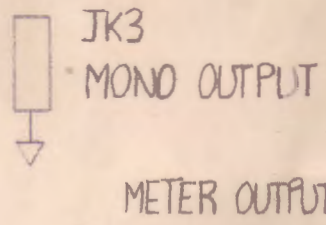
R73 47k

Q7 ZTX 109



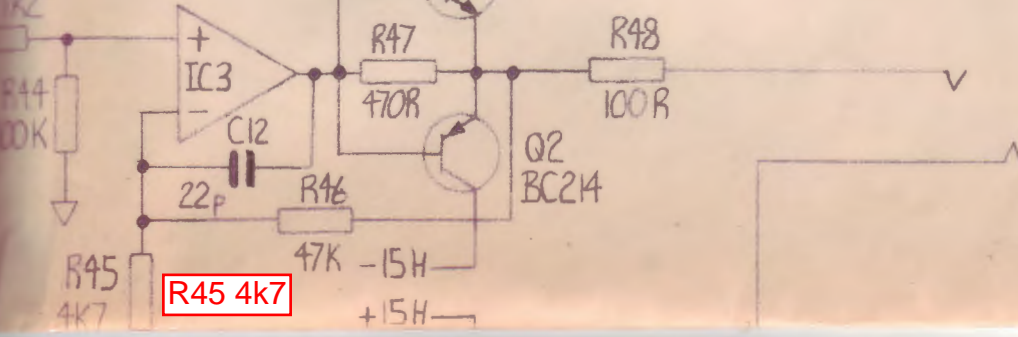
BC214

ZTX109C

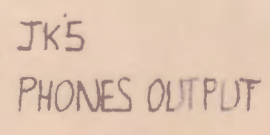


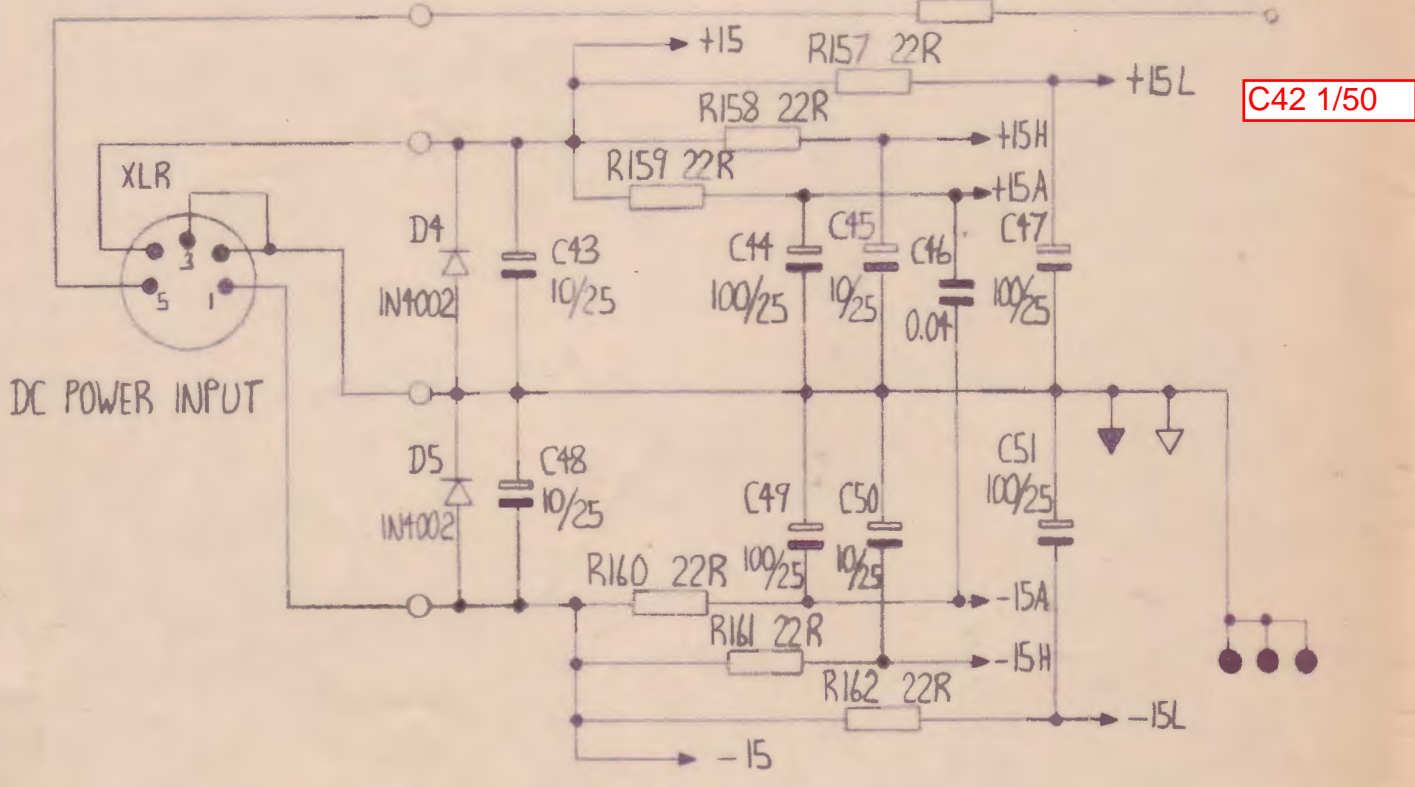
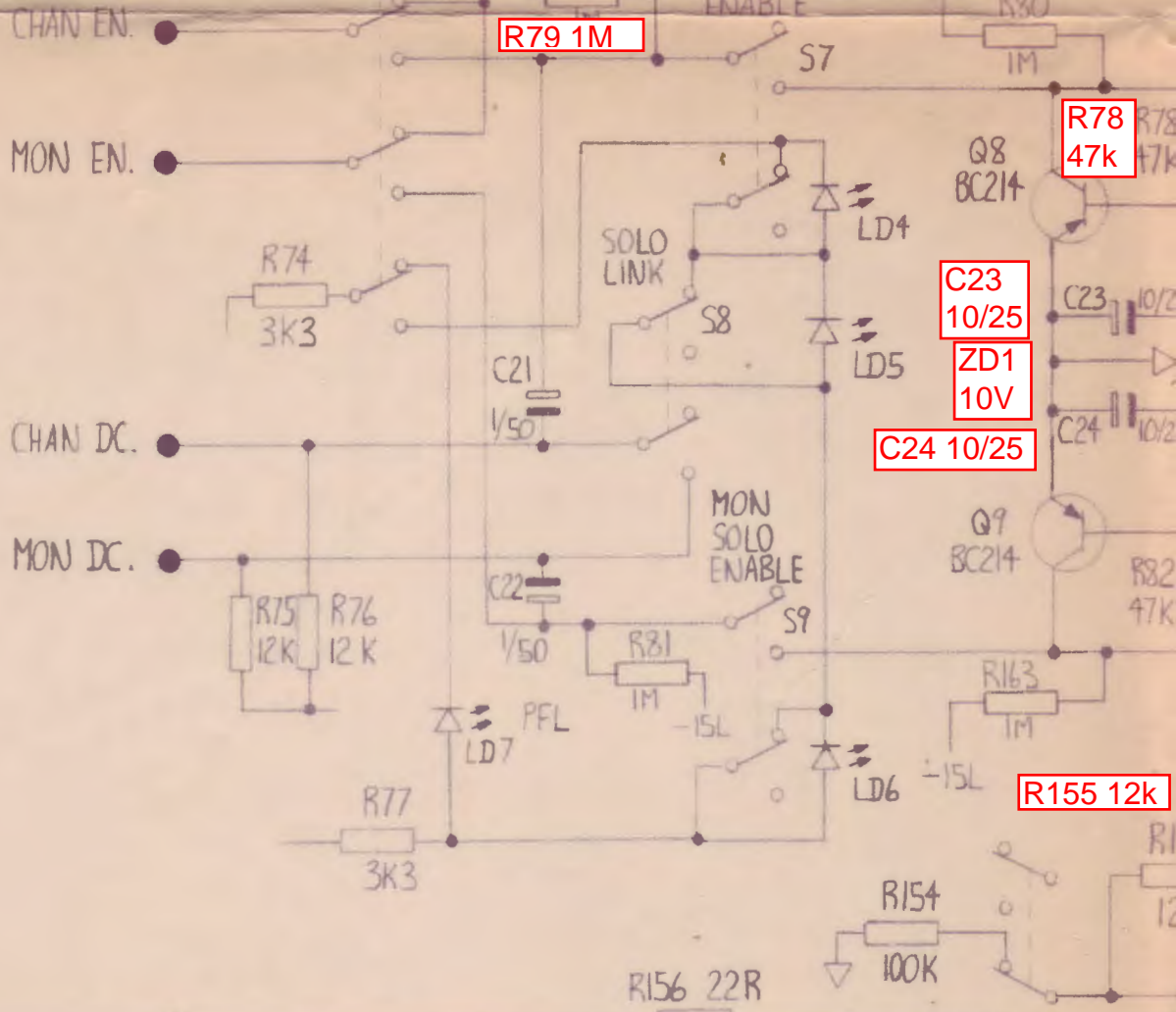
R43 1k2

R44 100k



R45 4k7



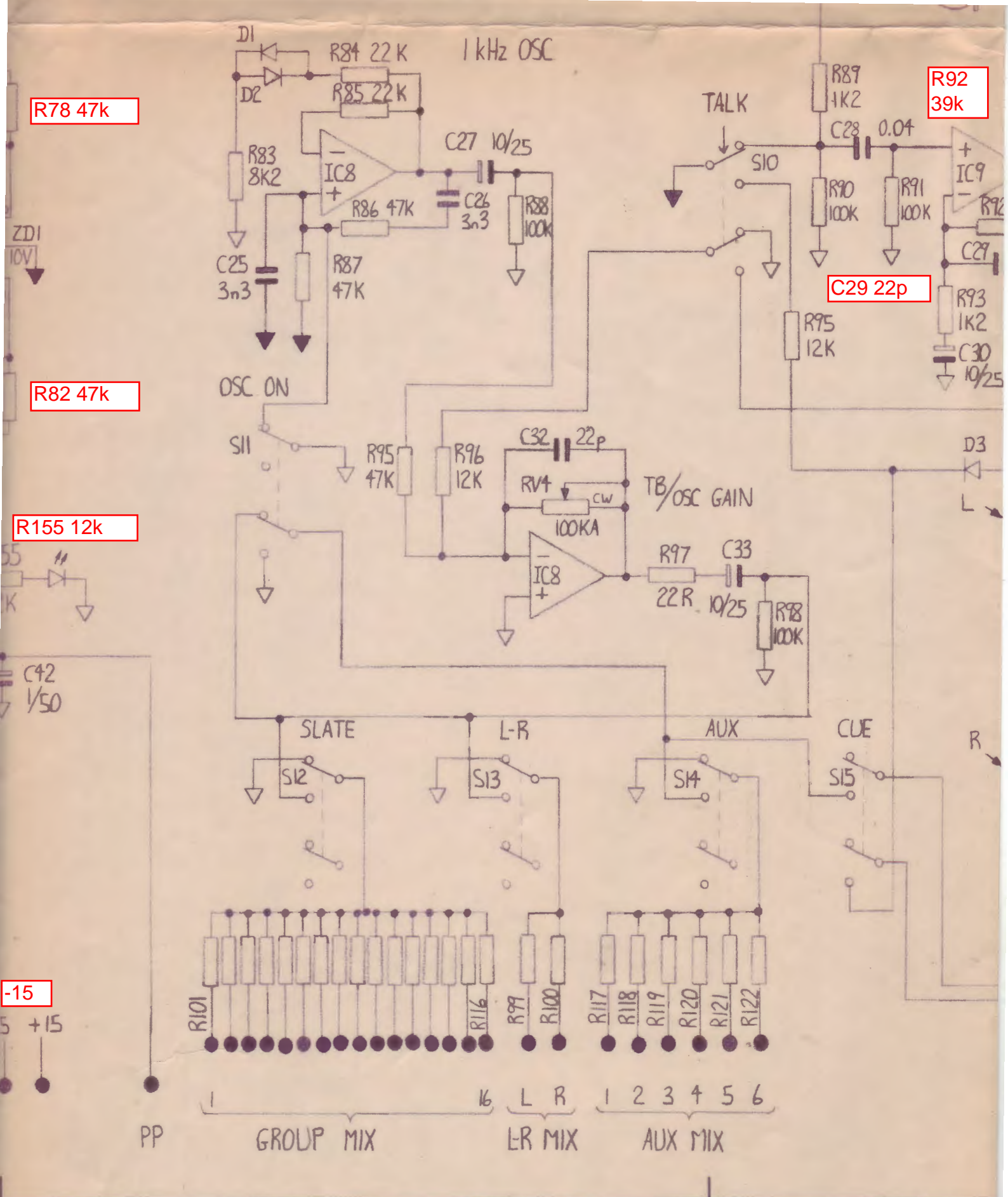


STANDARD NOTES

ALL DIMENSIONS IN mm
 DO NOT SCALE DRAWING
 THIRD ANGLE PROJECTION
 REMOVE ALL BURRS & SHA

SCALE

CD	ORIGIN		13-2-87	
DRAWN	REVISION	DATE	CHECKED	



R78 47k


R92 39k

R82 47k

C29 22p

R155 12k

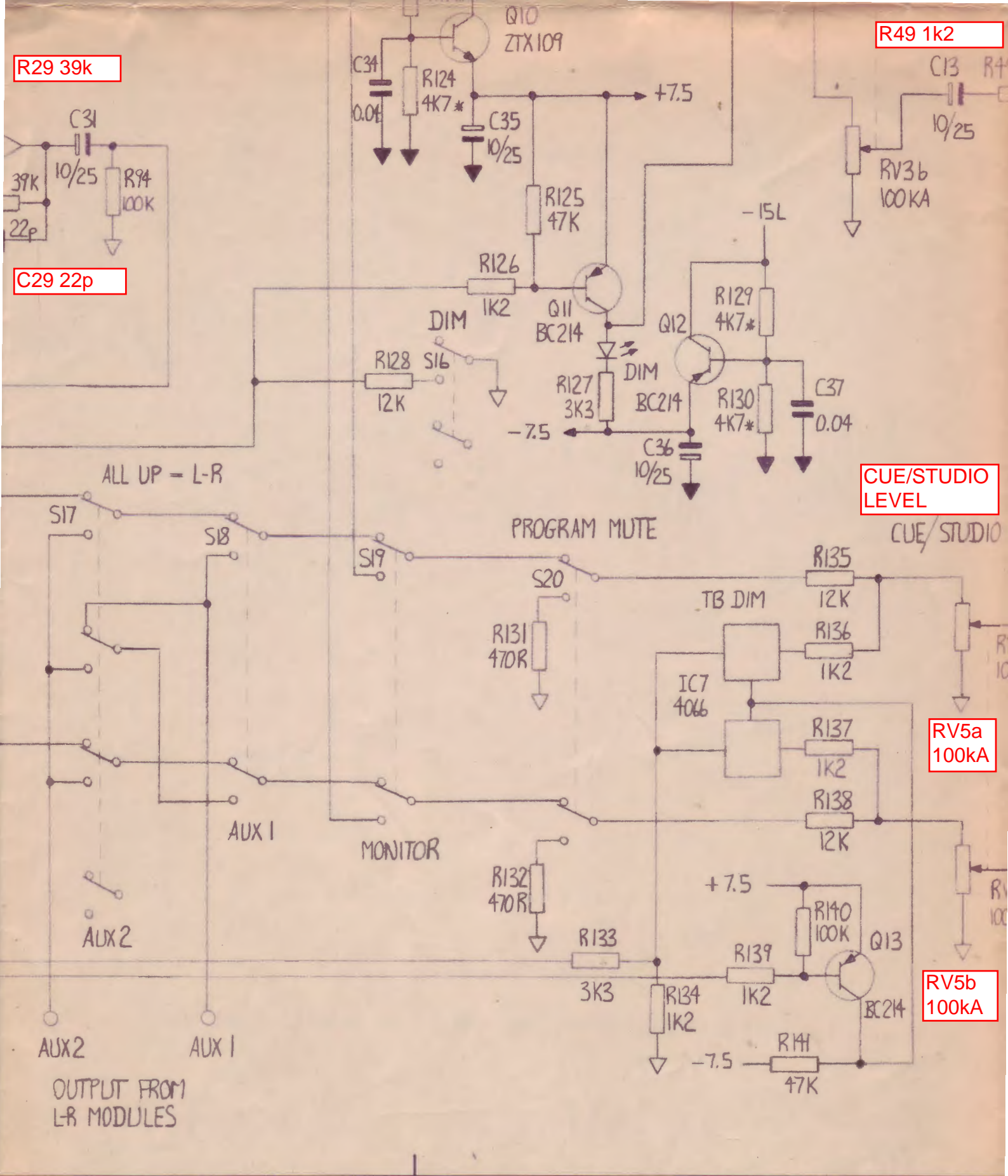
-15

MATERIAL	TOLERANCES	FINIS
 RP EDGES	GENERAL	±0,25 mm
	HOLE CENTRES	±0,15 mm
	HOLE SIZES	±0,10 mm
UNLESS STATED OTHERWISE		

R29 39k

R49 1k2

C29 22p



CUE/STUDIO LEVEL

RV5a 100KA

RV5b 100KA

H

NOTES

CAPACITORS SHOWN VALUE/VOLTAGE
 RESISTORS ARE 1/4WATT CARBON 5%
 RESISTORS MARKED * ARE 1%
 NF = NOT FITTED AS STANDARD

UNIT TITLE

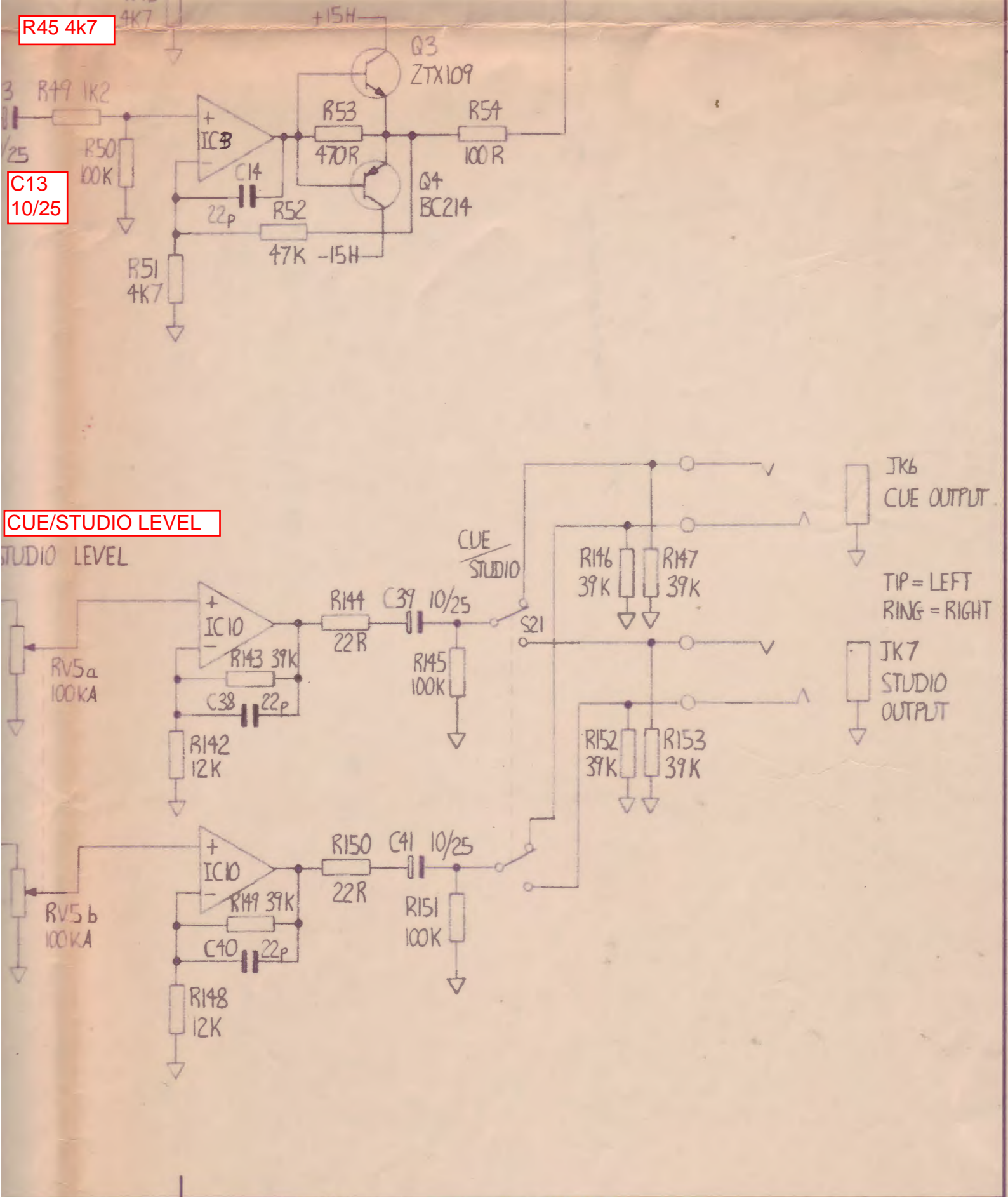
DRAWING TITLE
 CMC/ SYSTEM 8

R45 4k7

C13 10/25

CUE/STUDIO LEVEL

STUDIO LEVEL



E
M8 MONITOR CIRCUITS