

### 3 DSPd Fitting Instructions

Do not use excessive force when fitting the card. If you have difficulty fitting the card check that the orientation is correct. Check that the card is firmly seated into it's socket.

#### Step 3

Replace the top cover and power up the unit. Check the unit boots up correctly.

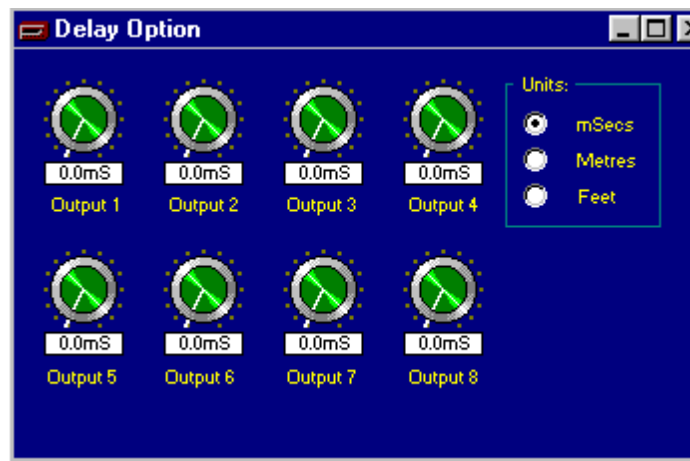
To verify that the DSPd is fully operational you will need to run WinDR.

Make sure that WinDR is connected on-line.

Click on the Delay option toolbar icon



or select *DR128* (or *DR66*) from the main menu and then *Delay Settings...* from the sub-menu. The following dialog box will appear as shown below:



Please note that only six output channels will be displayed on the **DR66** version of WinDR.

If the delay option toolbar icon or the *Delay Settings...* text is greyed out, then the DSPd option has not been recognized by either the unit or WinDR. Check your interconnection between the unit and your computer.

Should you experience any difficulties in fitting the DSPd card or have any queries regarding your **DR128** or **DR66**, please contact your **Allen & Heath** agent. Include the serial numbers from the **DR128** or **DR66** and **DSPd Delay Option** in any correspondence.

# ALLEN & HEATH

# DR<sup>128</sup> / DR<sup>66</sup>

*DSPd DELAY OPTION*

## FITTING INSTRUCTIONS

PUBLICATION AP2976

## Introduction

The DSPd DSP Delay Option provides signal delay on each of the output channels. The signal delay can be varied from 0.1mS to 0.6 seconds and can also be set in metres or feet. The delay option can be installed in the **DR128** and **DR66** and can only be used with system software version 1.2 and above. Only one DSPd card can be fitted to the **DR128** or **DR66**.

Installation is a straightforward process requiring only a Pozi screwdriver to remove the unit's top cover. However, please carefully read the instructions below for trouble free installation & use. When the unit powers up it automatically recognises the DSPd card has been fitted - no link assignments need to be made.

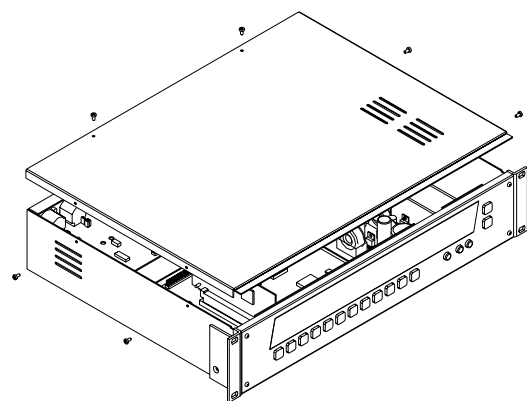
## Handling Precautions

The DSPd card contains sensitive integrated circuits which can be damaged by the static discharge from human-body contact. The DSPd card is packed in an anti-static conductive bag to protect it during shipment. To avoid damaging the static sensitive components on the card be sure to reduce any static electricity on your person. One way to do this is to touch the metal chassis of the unit. You can maintain grounding by wearing a grounded wrist strap. Only handle the card by its edges.

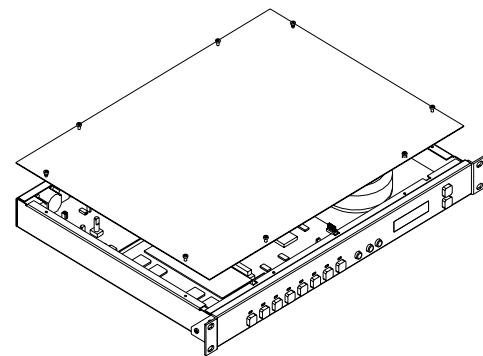
## Procedure

### Step 1

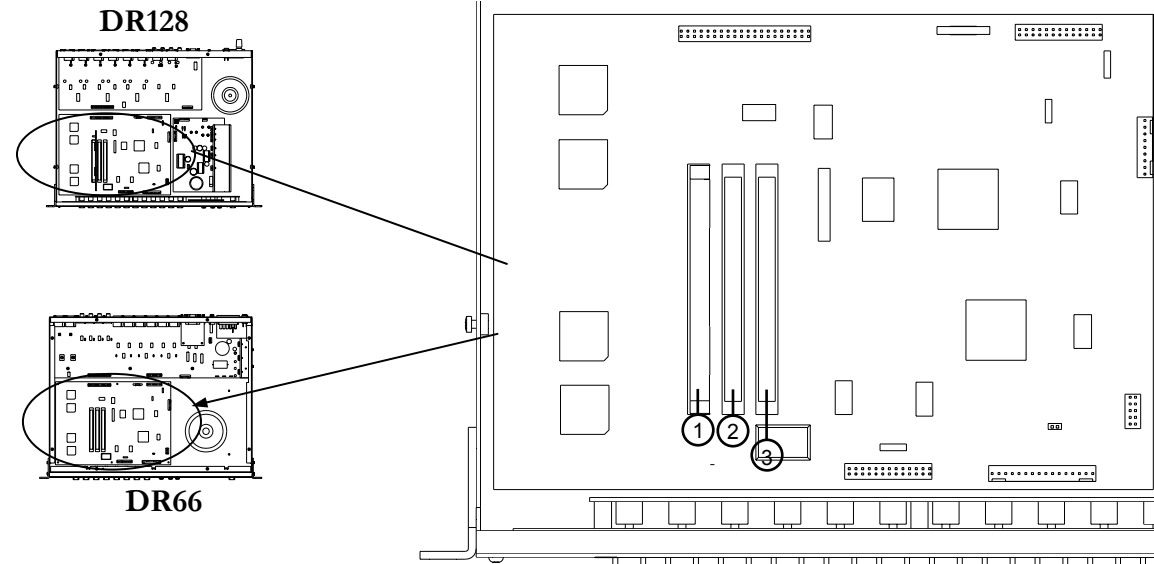
Switch off the power and remove the mains cable from the rear panel mains socket. Remove the top cover by removing the fixing screws located as shown below.



**DR128**  
(6x screws)



**DR66**  
(8x screws)



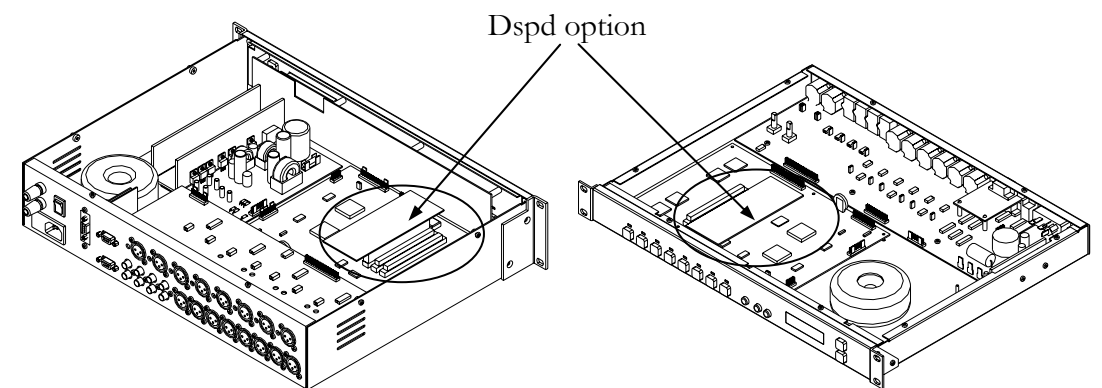
### Step 2

The DSPd card plugs onto expansion slot ③ on the CPU mother board as shown:

It is important that the card is fitted into its correct slot even if no other option cards are fitted. Slots ① and ② are for the DSPx expander option only. Please note, slot ② is not fitted on the **DR66**.

DSPd	Fit in slot 3 only
------	--------------------

Carefully remove the DSPd from its conductive bag observing the static precautions outlined above. Carefully plug the DSPd card into the correct slot. The diagram below shows the correct orientation for the card in the slot.



**DR128**

**DR66**