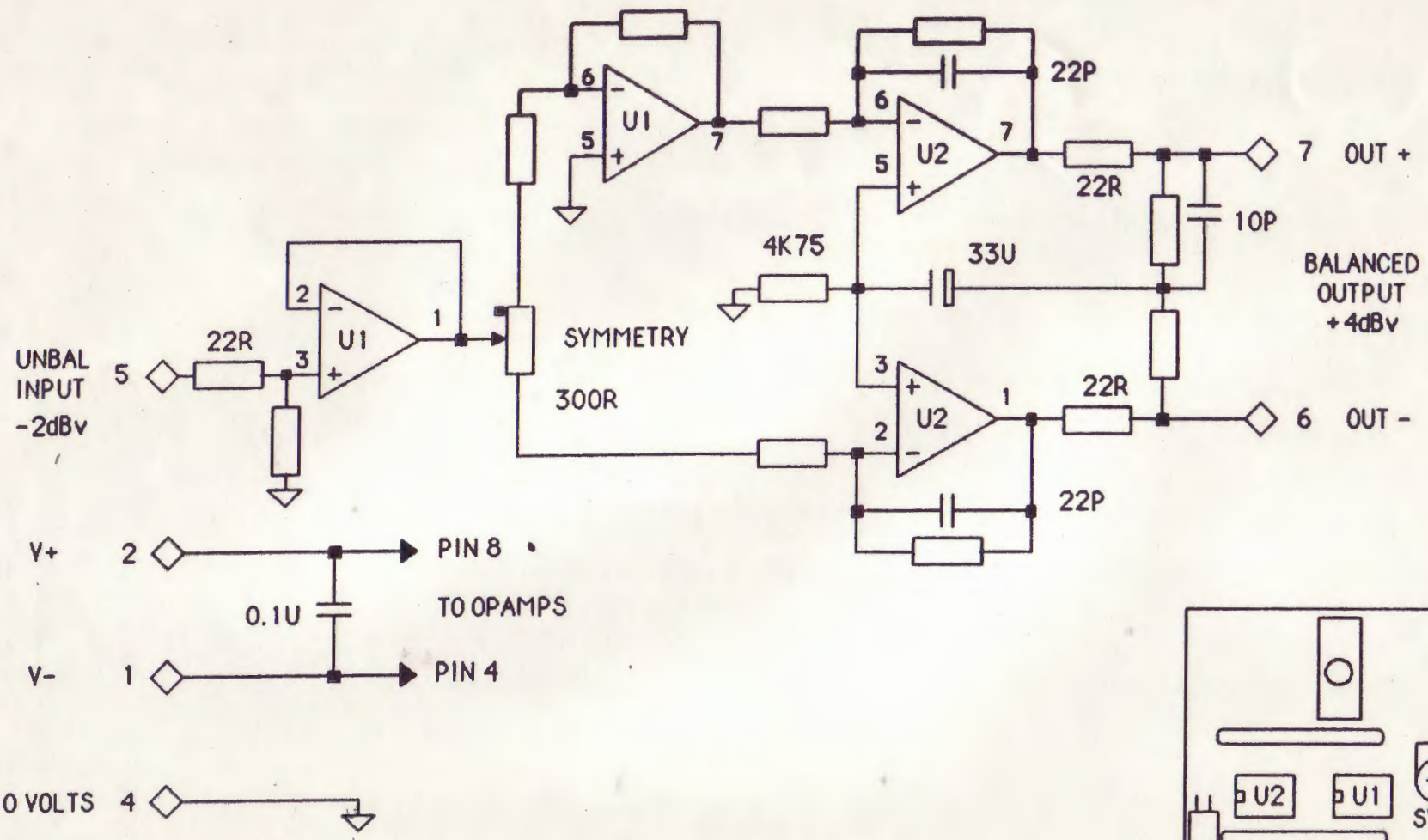
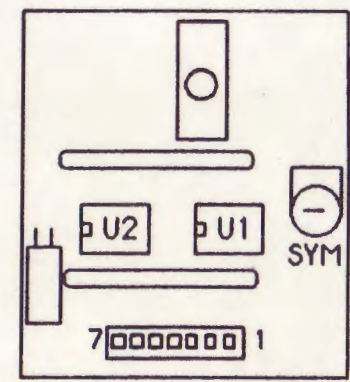


43



ALL UNMARKED RESISTORS ARE 10K 2% RESISTOR NETWORK
 ALL DISC CAPS NPO CERAMIC 50 VOLT

U1 = LF353
 U2 = NE5532



Electronically Balanced Output Stage

SABER