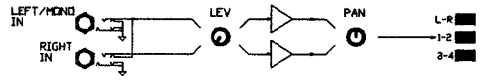
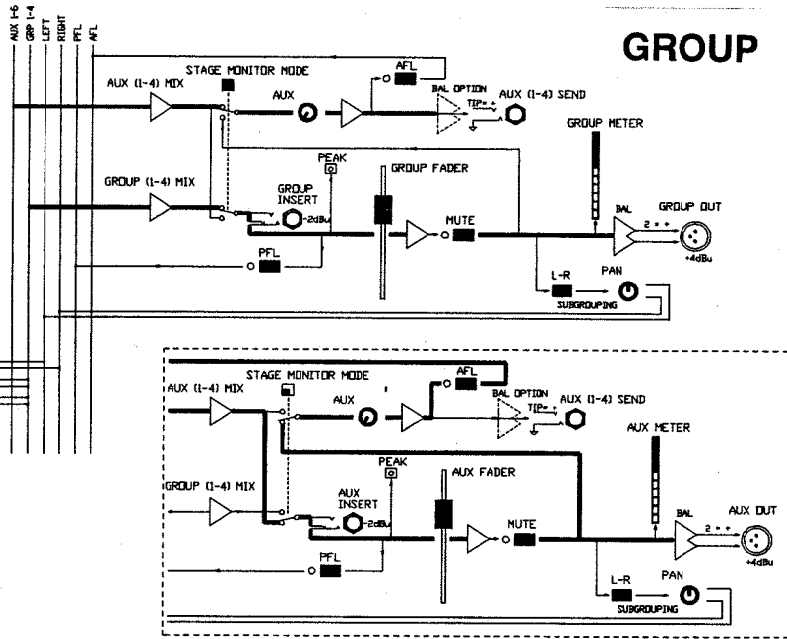


STEREO RETURN



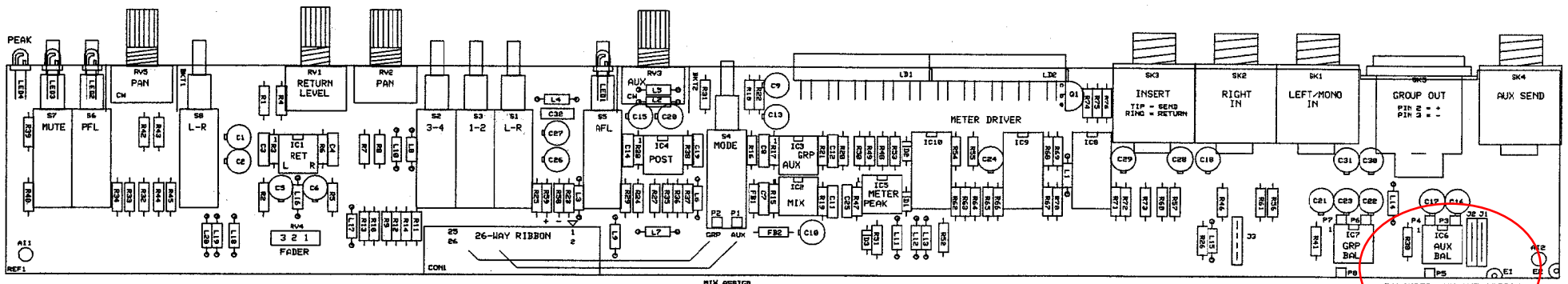
GROUP



GROUP MODE SWITCHING:

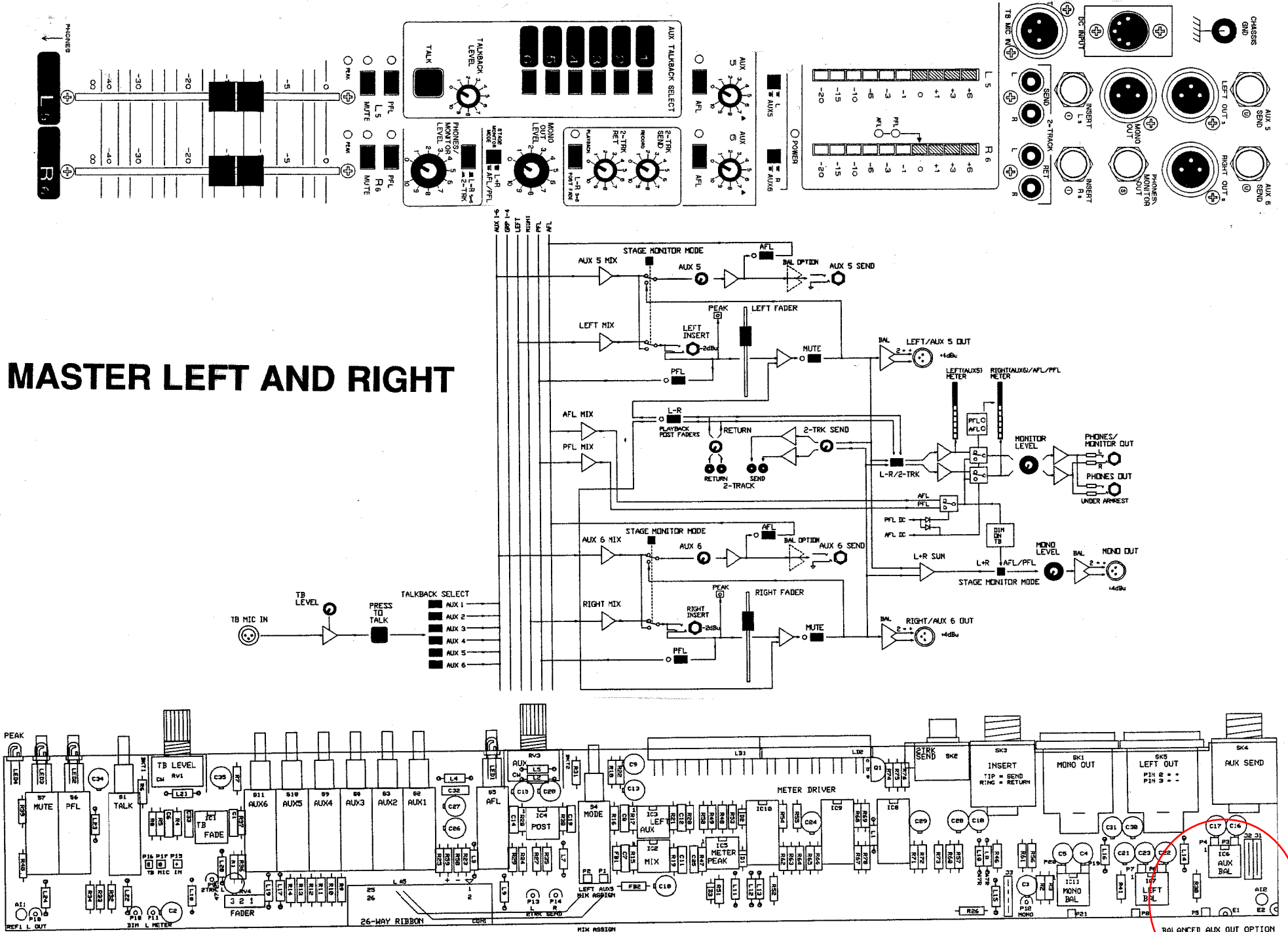
Here the upper block diagram shows the main signal path (in bold) optimized for F-O-H or conventional group/aux operation with the **MONITOR MODE** switch in the up position (flush with panel).

The lower (boxed) block diagram shows the signal path optimized for STAGE MONITOR operation with the **MONITOR MODE** switch pressed (to below panel). In this mode the **AUX MASTER** level control is used to adjust the **AFL** level used to set up the engineers **WEDGE MIX**. For single **AFL** monitoring this control should be set to its '0dB cal' mark.



BALANCED AUX OUT OPTION
 TO GET BALANCED OUTPUT OPTION
 REMOVE LINKS J1 AND J2
 PLUS IN IC6 SERVICIE

MASTER LEFT AND RIGHT



BALANCED AUX OUT OPTION
 TO FIT BALANCED OUTPUT OPTION
 REMOVE LINKS J1 AND J2
 PLUG IN IC6 55PM142