

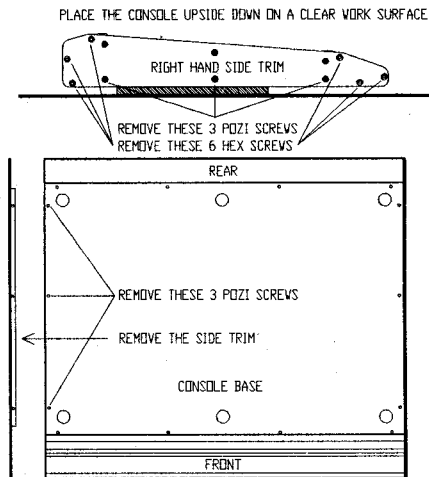
FITTING THE GL3-X4 EXPANDER

The **GL3-X4** expander fixes on the right hand side of the **GL3** console to add a further 8 input channels. This requires part disassembly of the console to extend the front and rear extrusions and slot in the expander. The power supply unit is not affected.

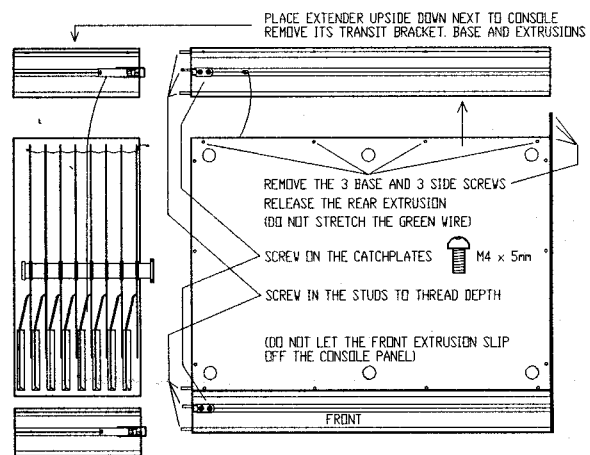
A kit of parts is supplied. Check these against the packing sheet before proceeding. Work on a flat clear work surface with protective covering. Take due care to avoid damage to the internal assemblies or cosmetics of the console.

Instruction sheet AP0153 is available separately.

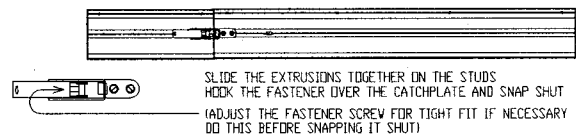
REMOVE THE RIGHT HAND TRIM:



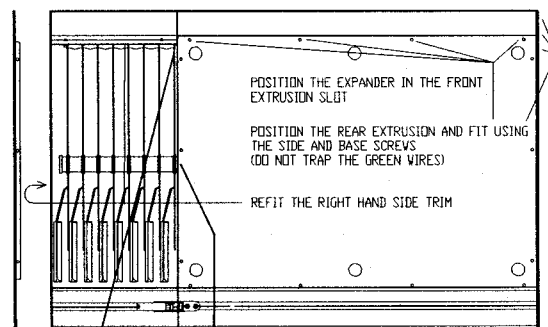
PREPARE THE EXTRUSIONS:



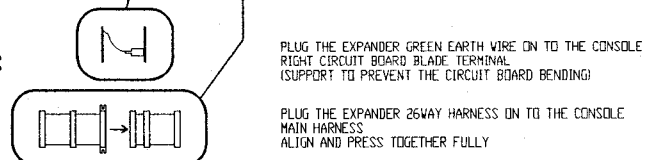
EXTEND THE EXTRUSIONS:



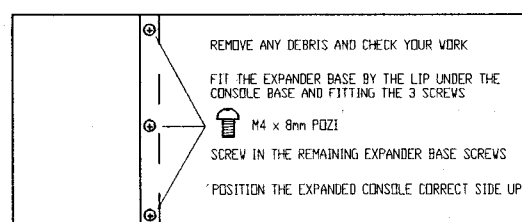
JOIN THE EXPANDER:



CONNECT THE HARNESSSES:



EXTEND THE BASE:



COMPLETE:



FOR CHANNEL 25 TO 32 EXPANDERS FIT THE STICK-ON LABELS SUPPLIED (TRIM IF NECESSARY)

PLUG IN POWER AND SIGNAL LEADS AND CHECK CONSOLE OPERATION