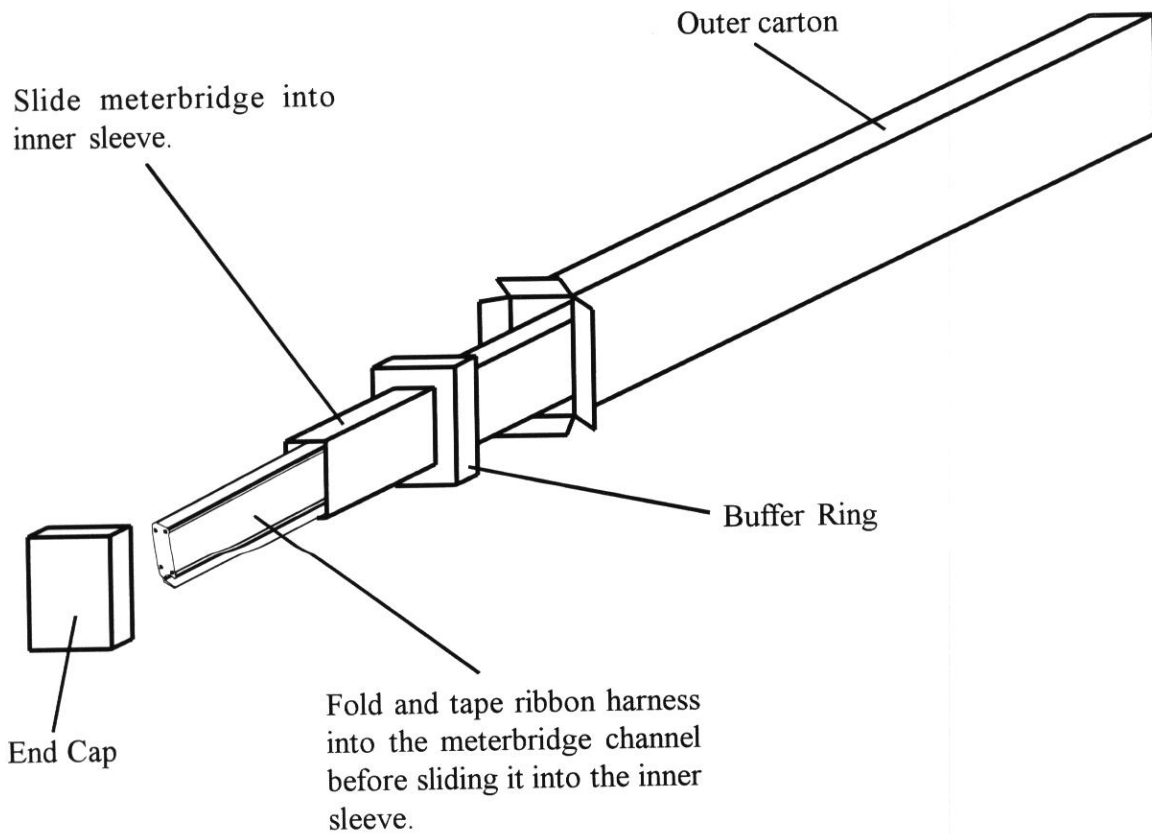


# PACKING SHEET

## METERBRIDGE



We advise that you keep this purpose designed packing intact to re-use should you need to ship this product in the future. Please make sure that the unit is correctly repacked to avoid transit damage.



ADDITIONAL CONTENTS

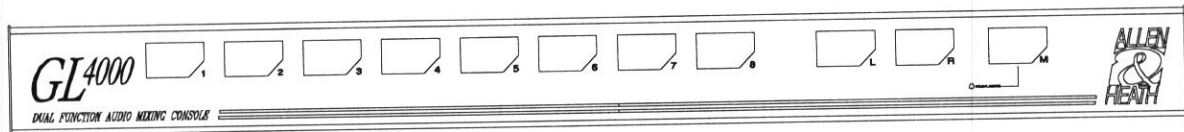
AGENT

FACTORY

ALLEN & HEATH.  
Kernick Industrial Estate  
Penryn  
Cornwall TR10 9LU  
United Kingdom

 A DIVISION OF  
HARMAN INTERNATIONAL INDUSTRIES Ltd.

# METERBRIDGE FITTING INSTRUCTIONS



GL4000 meterbridge shown

The meterbridge has been designed to compliment the Allen & Heath **GL** series of Live consoles. Its purpose is to monitor the programme signal at the console main outputs; groups 1 to 8, Left, Right and Mono. The meterbridge is available in various sizes to fit each console size and runs full length.

Connecting the meterbridge to a console is very easy and only requires plugging in the meterbridge harness and tightening the three "grub" screws in the lower lip of the meterbridge.

## To fit the meterbridge:

- 1.) Carefully unpack the meterbridge and fit it over the console rear extrusion (A) as shown in fig 1. Make sure all of the grub screws (B) are fully withdrawn from the meterpod extrusion (C) before fitting.
- 2.) Once the meterbridge is in place, tighten the grub screws (B) to secure the meterbridge in place.
- 3.) Plug in the meterbridge harness (D) into the connector marked **METERBRIDGE** on the rear panel of the console. See fig. 2.

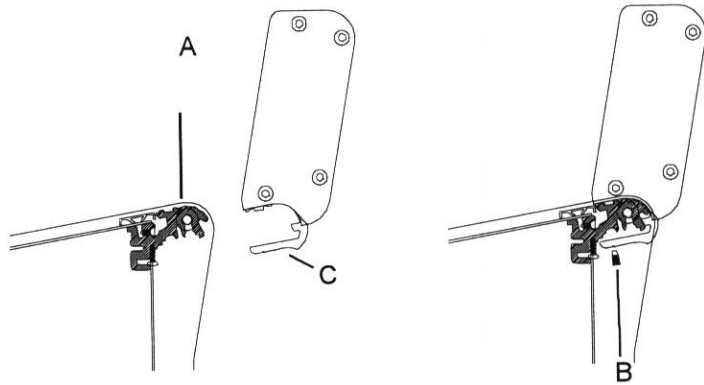


FIG. 1

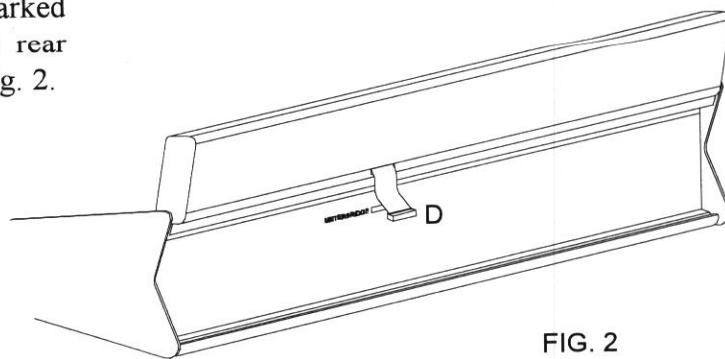


FIG. 2

Please note; the PFL LED indicator illuminates when any PFL is selected with the PFL signal level displayed on the MONO meter.

ALLEN & HEATH.  
Kernick Industrial Estate,  
Penryn.  
Cornwall. TR10 9LU.  
tel: 01326 372070  
fax: 01326 377097

**H** A DIVISION OF HARMAN INTERNATIONAL INDUSTRIES Ltd.

Publication AP2126 Issue 3  
copyright © 1997 ALLEN & HEATH.  
All rights reserved.