

# GL4 EXPANDER

## 8 CHANNEL MONO MODULE



PART NO: GL4-8MX 8 CHANNEL MONO MODULE

### FITTING INSTRUCTIONS

#### INTRODUCTION

The GL4-8MX is an 8 channel mono input module for fitting to the GL4 series of consoles. This expander module allows a GL4 console to be expanded up to a maximum of 40 channels, i.e. 824 to 832 or an 832 to 840.

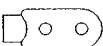
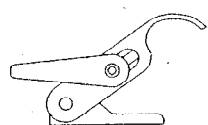


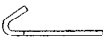



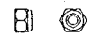



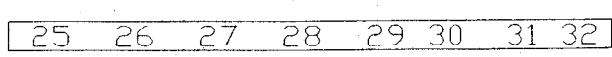
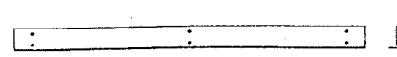

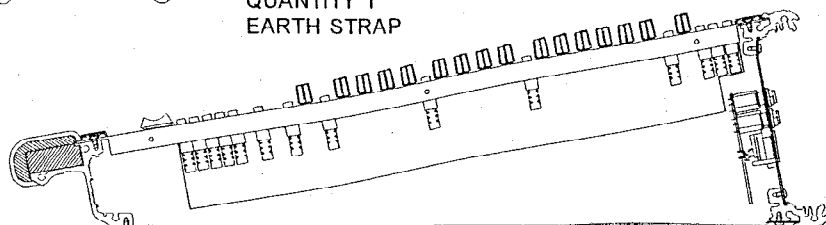


Please use drawings M2695 or M2696 to drill 2 x 4.2mm diameter holes for fastener fixing holes at the end of the extrusion that the expander module is to be fitted.

Please use drawings M002-027B or M002-028B to reassign back panels.

Use GL4000 fitting instructions as an assistance for the GL4 upgrade.

Please read the instructions carefully before attempting to fit the module.

- 1** Check contents of pack to ensure all parts have been supplied.  
Prints of M2695, M2696, M002-027B, M002-028B, AP2794.

<b>A</b> 	<b>B</b> 	<b>C</b> 	<b>D</b> 
PART NO. AB0336 QUANTITY 1 CATCHPLATE	PART NO. AB0335 QUANTITY 1 AJUSTABLE FASTENER	PART NO. AB2421 QUANTITY 2 SCREW M6X8 SKT HEX	PART NO. AB2813 QUANTITY 3 SCREW M3X6 HEX
<b>E</b> 	<b>F</b> 	<b>G</b> 	<b>H</b> 
PART NO. AB0336 QUANTITY 1 CATCHPLATE	PART NO. AB0335 QUANTITY 1 AJUSTABLE FASTENER	PART NO. AB2084 QUANTITY 40 SCREW 6BX5/16	PART NO. AB0271 QUANTITY 4 SCREW M4X10
<b>I</b> 	<b>J</b> 	<b>K</b> 	<b>L</b> 
PART NO. AB0188 QUANTITY 4 NUT LOCK M4	PART NO. AB0325 QUANTITY 5 STUD M6X38.5	PART NO. AB2406 QUANTITY 2 STUD SLOTTED	PART NO. AB2085 QUANTITY 6 SCREW 8BX3/8 CSK
<b>M</b> 			<b>N</b> 
PART NO.s AK2105 AK2106 AK2107 QUANTITY 1 IDENT STRIP			PART NO. AA2191 QUANTITY 1 BASE BRACKET
<b>O</b> 	<b>P</b> PART NO. 002-237 QUANTITY 1 EARTH STRAP		
			
PART NO.s 002-262 QUANTITY 1			
<b>Q</b> 	<b>R</b> 		
PART NO. AC0335 QUANTITY 5 OR LINK	PART NO. AB0244 QUANTITY 3 SHAKEPROOF WASHER		
PART NO. AB0102 QUANTITY 3			