



GL4000

MIXING CONSOLE

THE BENEFITS OF USING SYS-LINK

The **GL4000** SYS-LINK option allows console to console interconnection by means of just one or two cables. By connecting two **GL4000** consoles together the number of input channels may be increased. One console acts as a channel expander (slave) to the second (master). Up to 3 consoles may be 'daisy-chained' in this way. The system is also directly compatible with other A&H consoles fitted with SYS-LINK.

Plugging consoles together using SYS-LINK connects the signals directly to the console busses so avoiding the use of the main console outputs and channel inputs for the master / slave connection. All the console channels are available to the user for input sources.

SYS-LINK CONNECTIONS

SYS-LINK connects all the console main busses including L, R, Mono, 8 Groups, 10 Aux sends, and 4 matrices. The PFL & AFL systems are also interconnected such that operating PFL or AFL on the slave console activates the master console monitor system. Operating PFL or AFL on the master does not activate the slave monitor system which may be used for 'local' monitoring if required. SYS-LINK connects the PFL & AFL audio mix and DC control buss. SYS-LINK outputs are taken **pre-fader** so that the slave console output connectors may be used for sub-mix or 'zone' feeds if required. All output signals are unbalanced, low impedance and operate at a line level of -2dBu to prevent problems with audio interference and to maintain a headroom of 23dB.

SYS-LINK inputs are unbalanced, operate line level at -2dBu and are high impedance to prevent loading the connected source.

SYS-LINK is presented on two pairs of 25way female D-type connectors, one for the console buss inputs and the other for the outputs. Several pins are provided for audio 0V earth.

USING SYS-LINK

Connect consoles using two standard 25way male to male D-type cables, available from electronic suppliers or computer shops (25line male to male). It is advised that this cable is a screened type if longer than 1 metre, no longer than 10 metres in total, and that professional quality locking connectors are used. Connect all pins one to one with the screen to 0V.

Connect the slave console SYS-LINK output to the master console SYS-LINK input.

SYS-LINK may also be used to connect the **GL4000** to other audio equipment. Make sure that all unused inputs (except the PFL & AFL DC inputs) are linked to 0V earth at the SYS-LINK input to prevent audible interference from connected audio signals. Connect line level signals of around -2dBu. The **GL4000** PFL & AFL systems may be activated by switching the PFL or AFL DC inputs to 0V earth through a 15k ohm resistor.

For information on fitting SYS-LINK please refer to FITTING INSTRUCTIONS AP2786

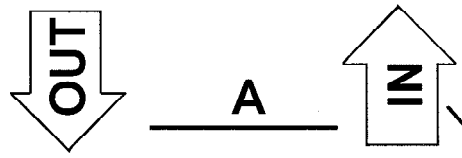
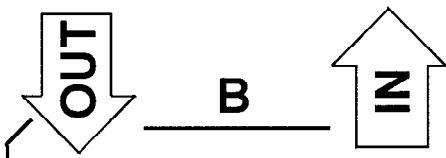
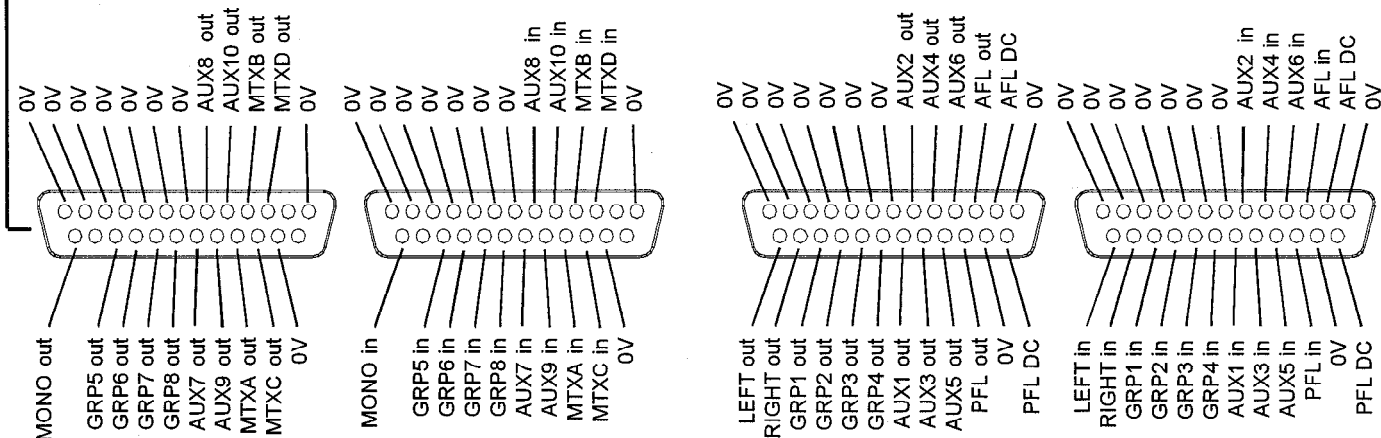
SYS-LINK APPLICATIONS NOTE

Publication AP2787

Issue 1 November 96

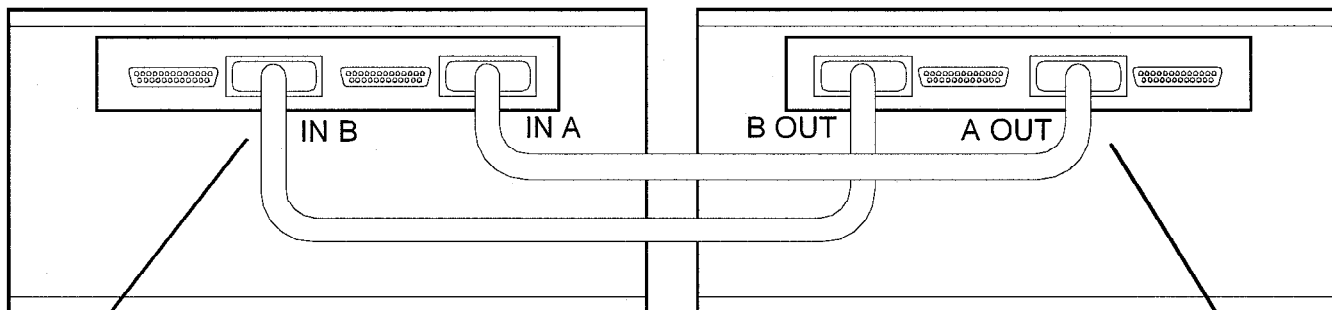
CONSOLE TO CONSOLE CONNECTION USING SYS-LINK

SYS-LINK connectors are 25way D-type female.
 Use 25way D-type male to male connector cable.
 Use screened cable, connect all pins.



Line level output at -2dBu
 Unbalanced, in-phase
 Low impedance < 75 ohm
 P/AFL DC output is open collector sink to 0V through 15k.
 All outputs are **pre-fader**

Line level input at -2dBu
 Unbalanced, buffered in-phase
 High impedance > 10k ohm
 P/AFL DC input for pulldown to 0V through 15k resistor.
When connecting to equipment other than GL Series link all unused audio inputs to 0V earth at the SYS-LINK connector.

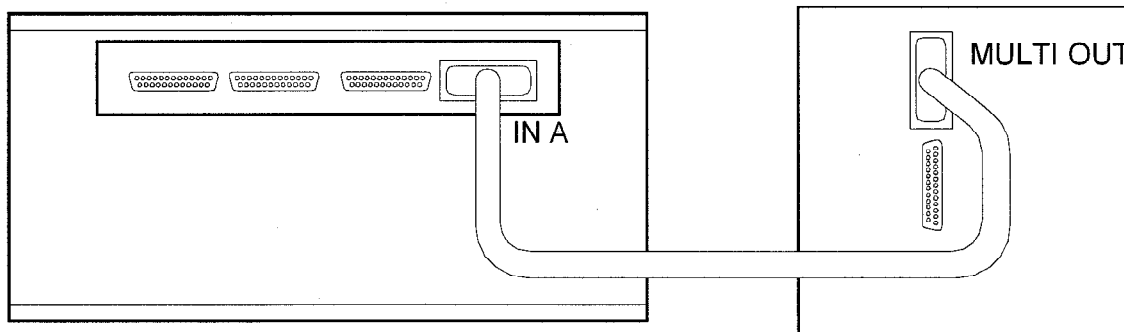


MASTER GL4000

SLAVE GL4000

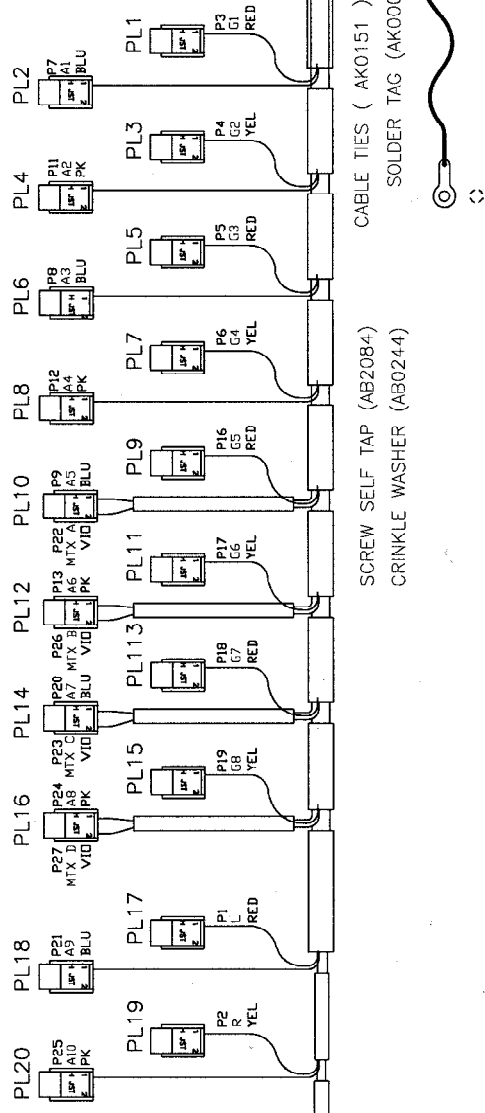
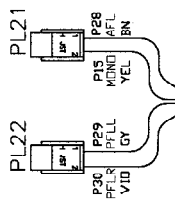
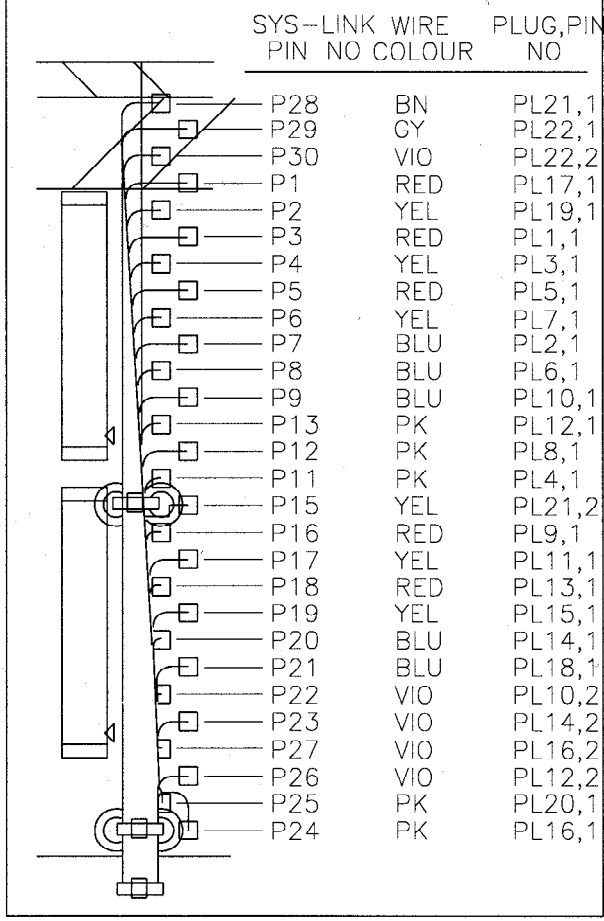
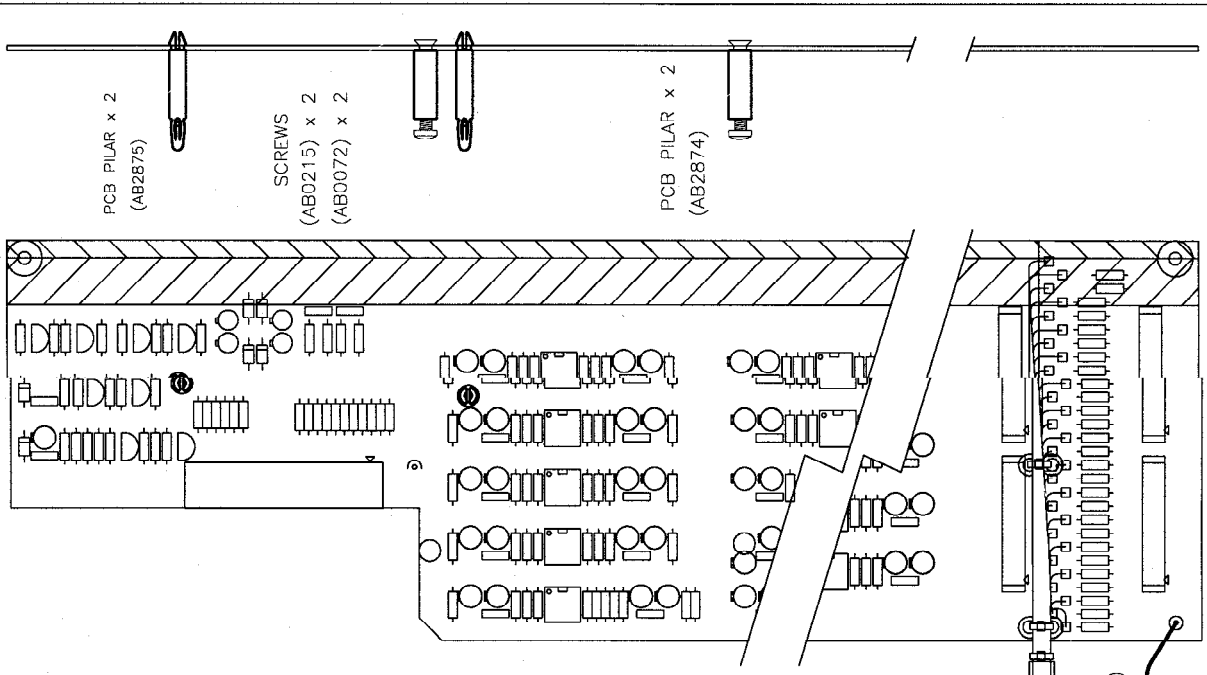
B to link GRP 5-8, AUX 7-10, MTX A-D

A to link GRP 1-4, AUX 1-6, L, R, PFL & AFL



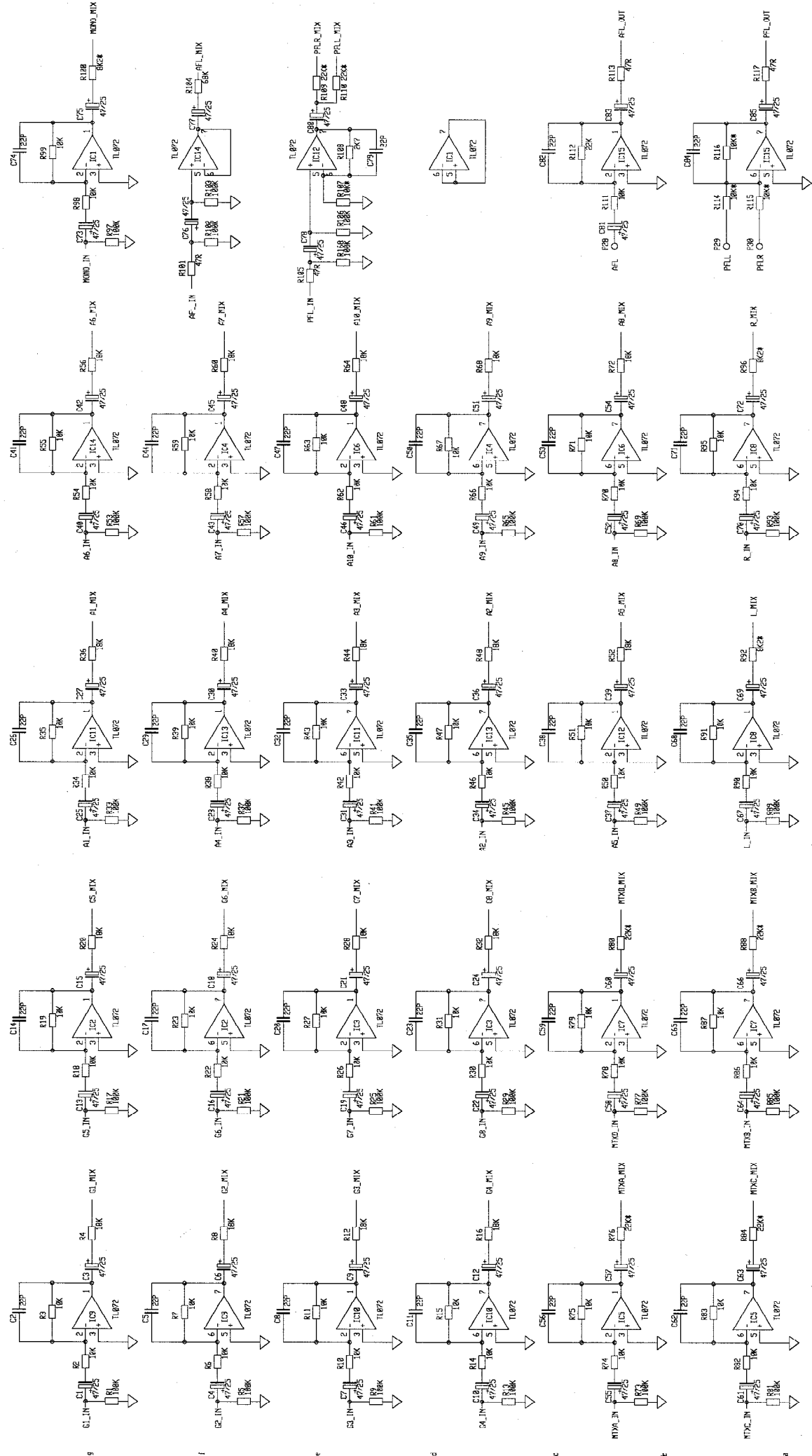
MASTER GL4000

SLAVE GL2

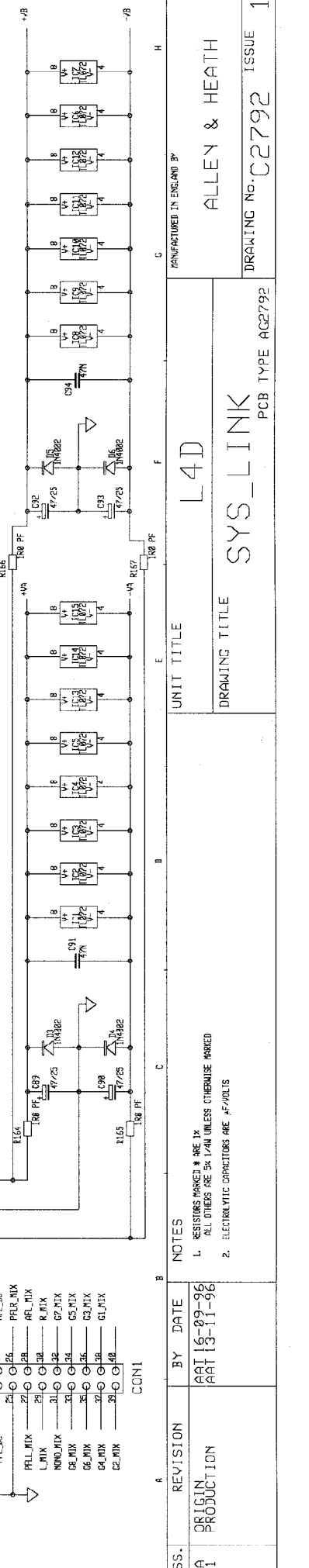
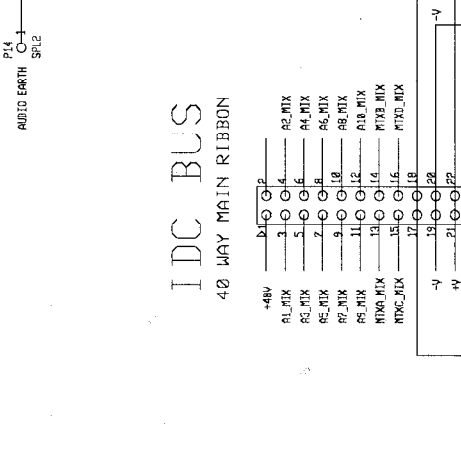
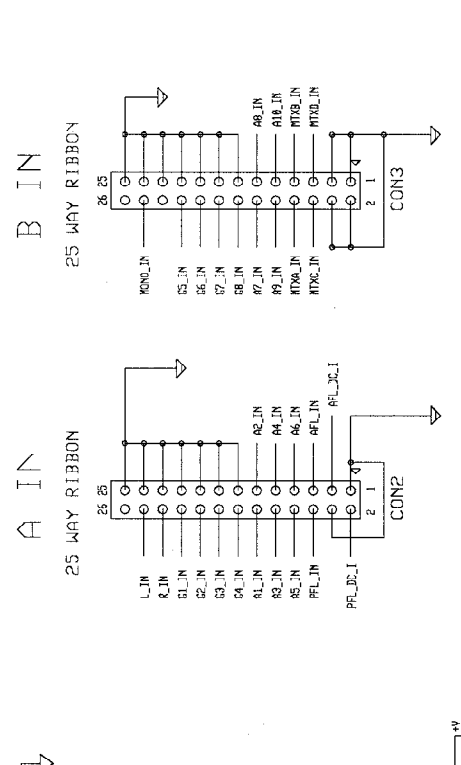
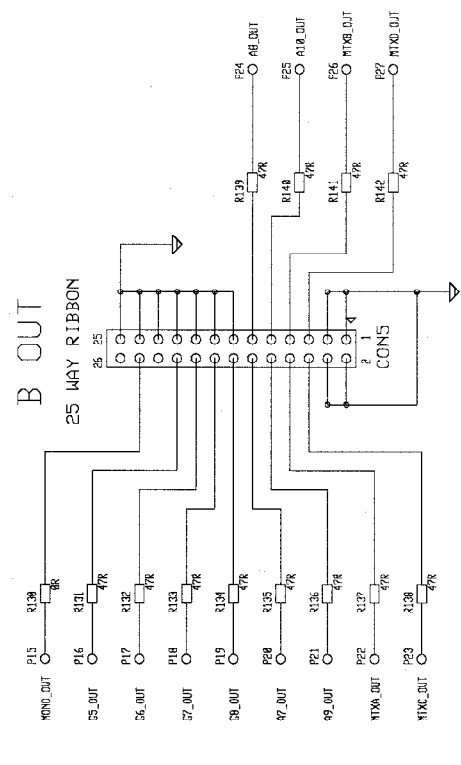
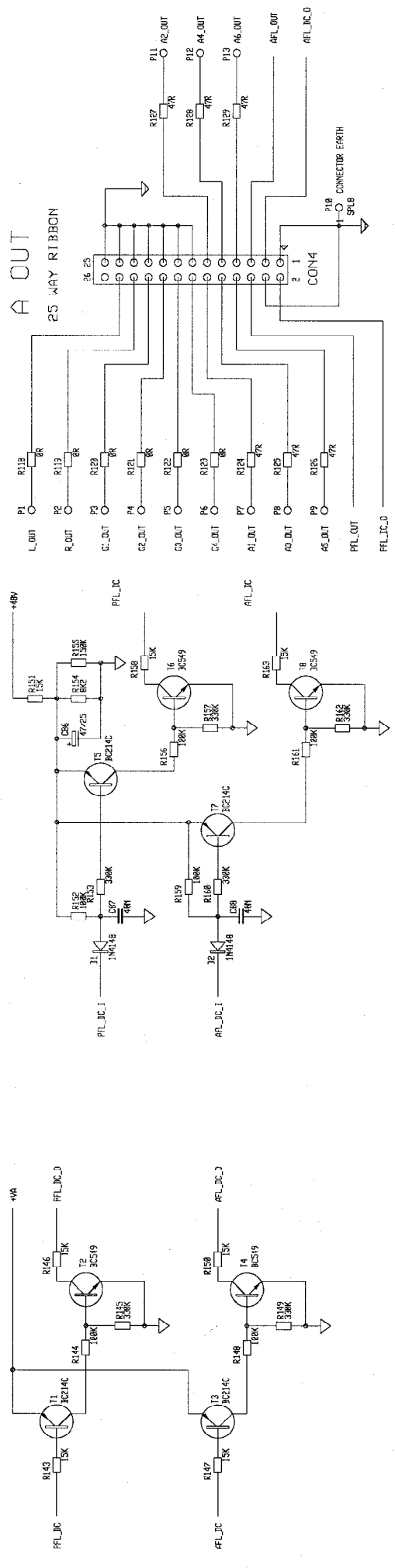


WIRE 32/02 GREEN (AH2274) x 80 mm

ISSUE A 1	REVISION AAT PRODUCTION	DATE 22-10-96 13-11-96	STANDARD NOTES: 1. ALL DIMENSIONS ARE IN MM UNLESS OTHERWISE SPECIFIED. 2. DIMENSIONS TO CENTRE UNLESS OTHERWISE SPECIFIED. 3. THIRD ANGLE PROJECTION	
	BY AAT	DATE		
DRAWING TITLE L4D SYS-LINK PCB/WFM ASSY			STOCK CODE 002-211	
DRAWING No M002-211 Sheet 1 OF 2			ISSUE 1 A2	
ALLEN & HEATH KERRICK INDUSTRIAL ESTATE, PENRYN, CORNWALL TR10 9LU. TEL 01326 372070 FAX 01326 372097				



ISS. 1	REVISION	BY DATE AAT 16-09-96 AAT 13-11-96	NOTES 1. RESISTORS MARKED * ARE 1% ALL OTHERS ARE 5% UNLESS OTHERWISE MARKED 2. ELECTROLYTIC CAPACITORS ARE 47µF/50V	UNIT TITLE L4D			DRAWING TITLE SYS_LINK			PCB TYPE AC2792		
				MANUFACTURED IN ENGLAND BY ALLEN & HEATH			DRAWING No. C2792			ISSUE 1		



A OUT

B OUT

B IN

A IN

IDC BUS

ISS. 1		REVISION	BY DATE	NOTES	UNIT TITLE	DRAWING TITLE	DRAWING No. C2792	ISSUE 1
1				1. RESISTORS MARKED * ARE 1% ALL OTHERS ARE 5% UNLESS OTHERWISE MARKED 2. ELECTROLYTIC CAPACITORS ARE 47μOLIS	L4D	SYS_LINK	AG2792	1
ORIGIN PRODUCTION					PCB TYPE AG2792			
					ALLEN & HEATH			
					MANUFACTURED IN ENGLAND BY			

