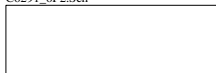


AG6291_6
 ALLEN & HEATH LTD
 GR2 MAIN PCB

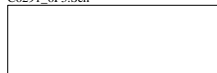
UL 94V-0

e
d
c
b
a

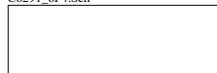
C6291 P2
C6291_6P2.Sch



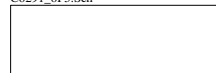
C6291 P3
C6291_6P3.Sch



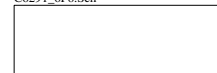
C6291 P4
C6291_6P4.Sch



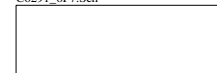
C6291 P5
C6291_6P5.Sch



C6291 P6
C6291_6P6.Sch



C6291 P7
C6291_6P7.Sch



BO1
PCB BREAKOUT D

BO2
PCB BREAKOUT D

BO3
PCB BREAKOUT D

BO4
PCB BREAKOUT D

ALLEN&HEATH

Kernick Industrial Estate,
Penryn, Cornwall,
England. TR10 9LU

Tel: +44 (0)1326 372070
Fax: +44 (0)1326 370153

ISSUE	BY	DATE	CHK BY
1	MG	04/08/05	
1.1	AAT	29/09/05	
2	MG	14/11/05	
3	AAT	08-09-10	
4	AAT	07-09-11	
5	JB	16-01-12	
6	AAT	21-01-13	

FILE: C6291_6P1.Sch

PRINTED: 14:51:36 1-Feb-2013

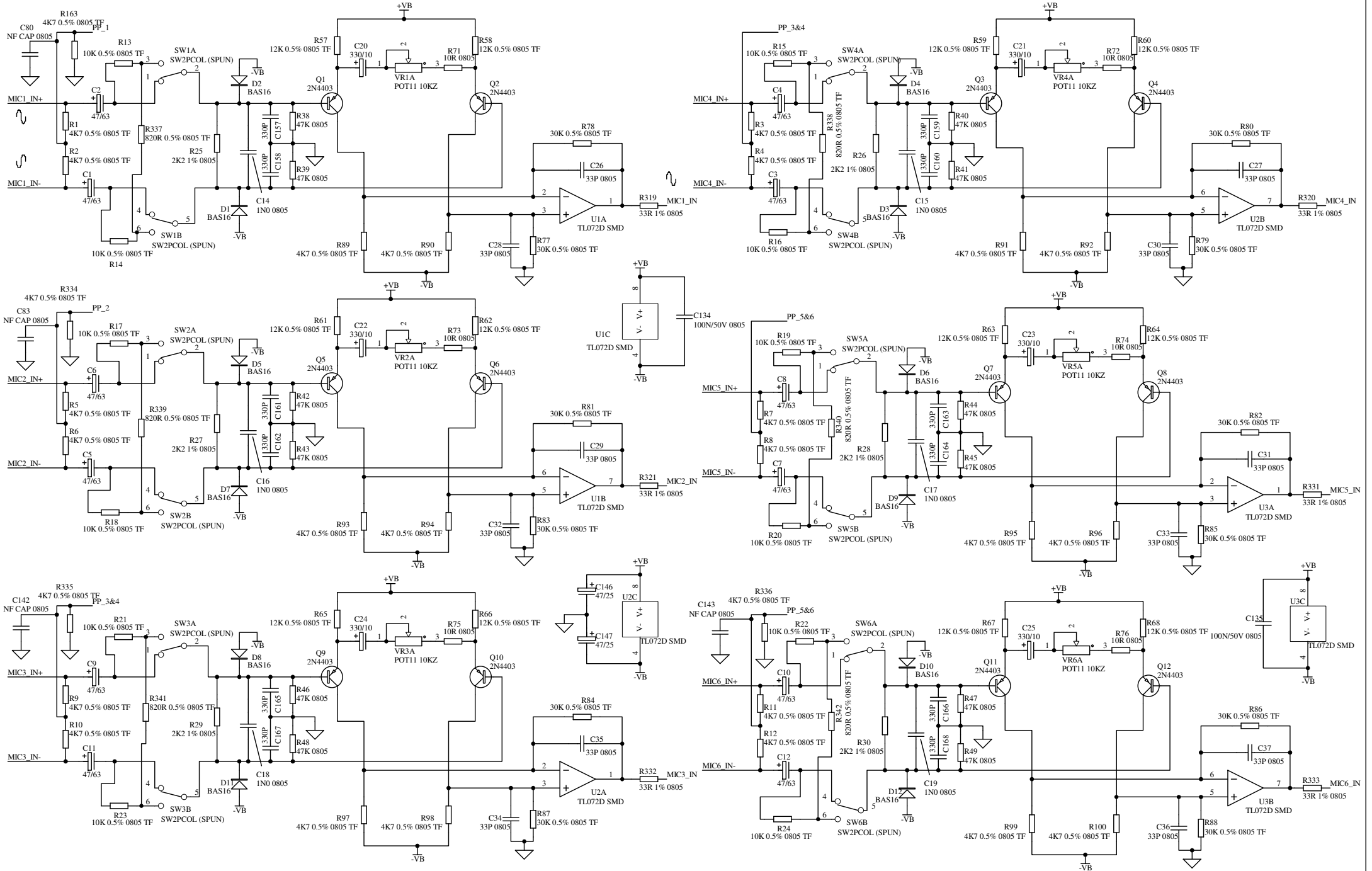
TITLE: GR2 MAIN PCB

PAGE:

DRG No: C6291 ISSUE: 6 SHEET: 1 OF 7

A B C D E F G H





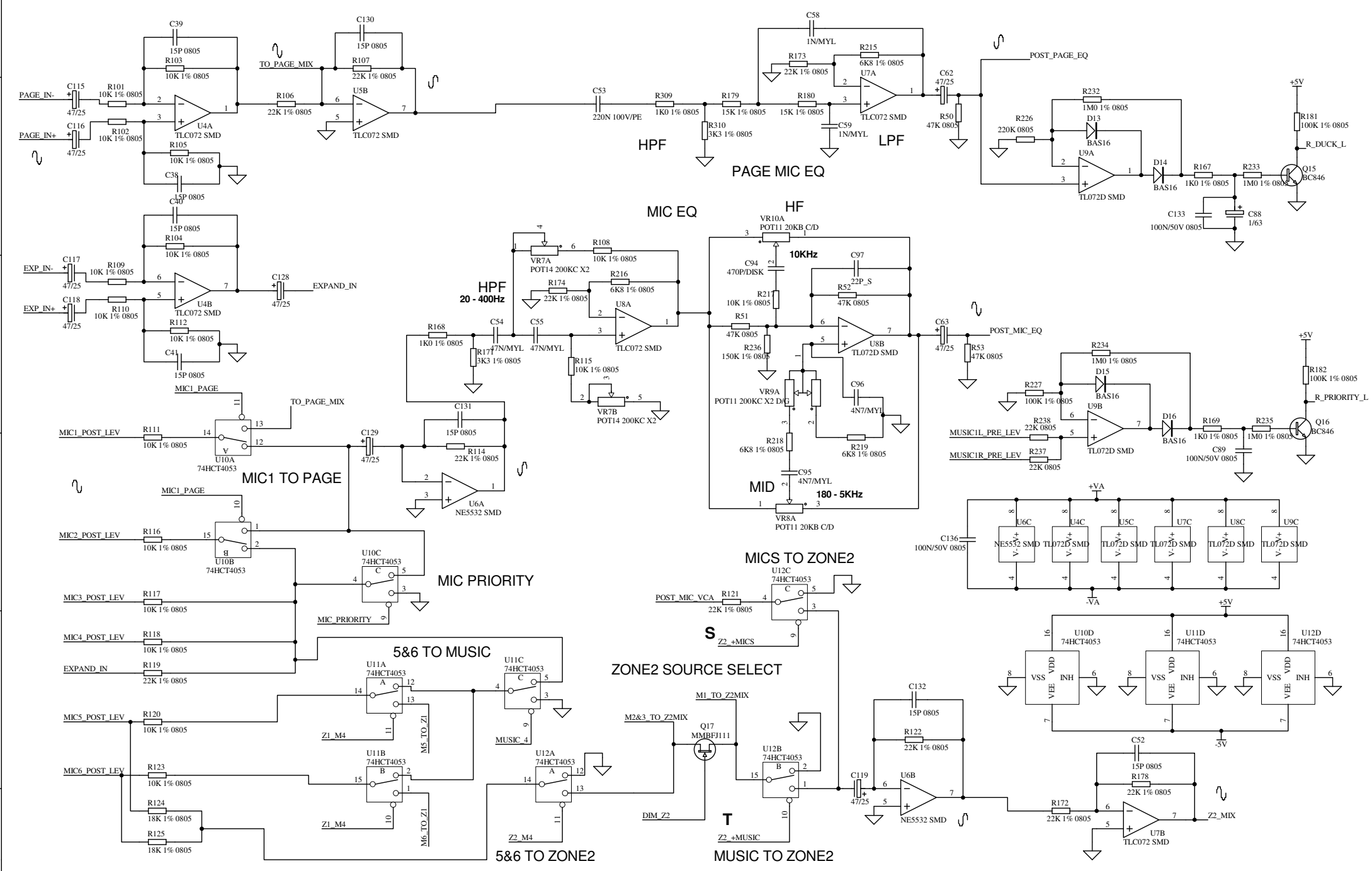
ALLEN&HEATH
 Kernick Industrial Estate,
 Penryn, Cornwall,
 England. TR10 9LU
 Tel: +44 (0)1326 372070
 Fax: +44 (0)1326 370153

ISSUE	BY	DATE	CHK BY
1	MG	04/08/05	
1.1	AAT	29/09/05	
2	MG	14/11/05	
3	AAT	08-09-10	
4	AAT	07-09-11	
5	JB	16-01-12	
6	AAT	21-01-13	

VR1B	VR2B	VR3B	VR4B	VR5B	VR6B
POT11.10KZ	POT11.10KZ	POT11.10KZ	POT11.10KZ	POT11.10KZ	POT11.10KZ

FILE: C6291_6P2.Sch

TITLE: **GR2 MAIN PCB**
 PAGE:
 DRG No: **C6291** ISSUE: **6** SHEET: **2 OF 7**



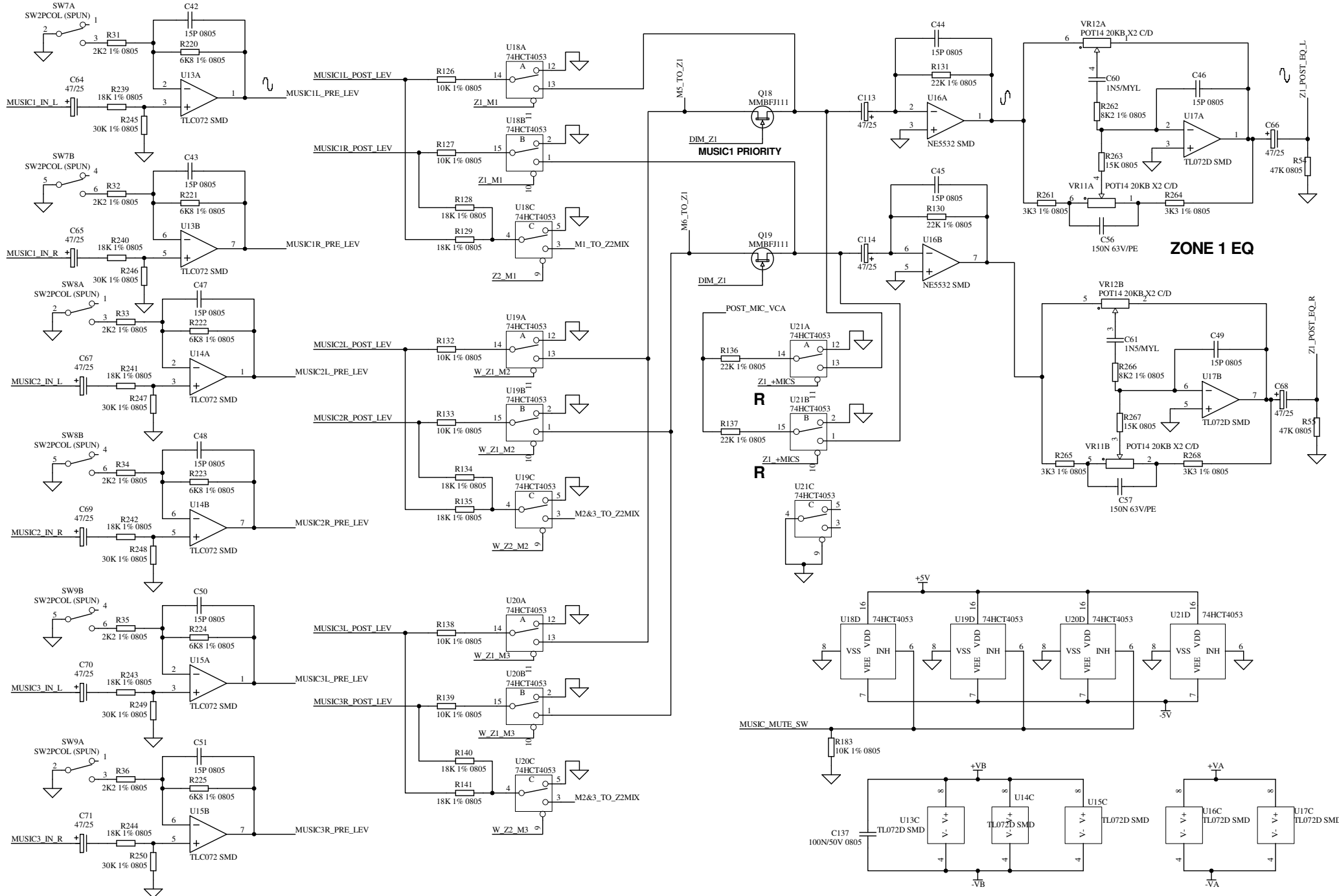
ALLEN&HEATH
 Kernick Industrial Estate,
 Penryn, Cornwall,
 England. TR10 9LU
 Tel: +44 (0)1326 372070
 Fax: +44 (0)1326 370153

ISSUE	BY	DATE	CHK BY
1	MG	04/08/05	
1.1	AAT	29/09/05	
2	MG	14/11/05	
3	AAT	08-09-10	
4	AAT	07-09-11	
5	JB	16-01-12	
6	AAT	21-01-13	

VR9B POT11 200KC X2 D/G	VR8B POT11 20KB C/D	VR10B POT11 20KB C/D
VR7C POT14 200KC X2	VR7A POT14 200KC X2	VR9A POT11 200KC X2 D/G
VR7B POT14 200KC X2		

FILE: C6291_6P3.Sch

TITLE: GR2 MAIN PCB
PAGE:
DRG No: C6291 ISSUE: 6 SHEET: 3 OF 7

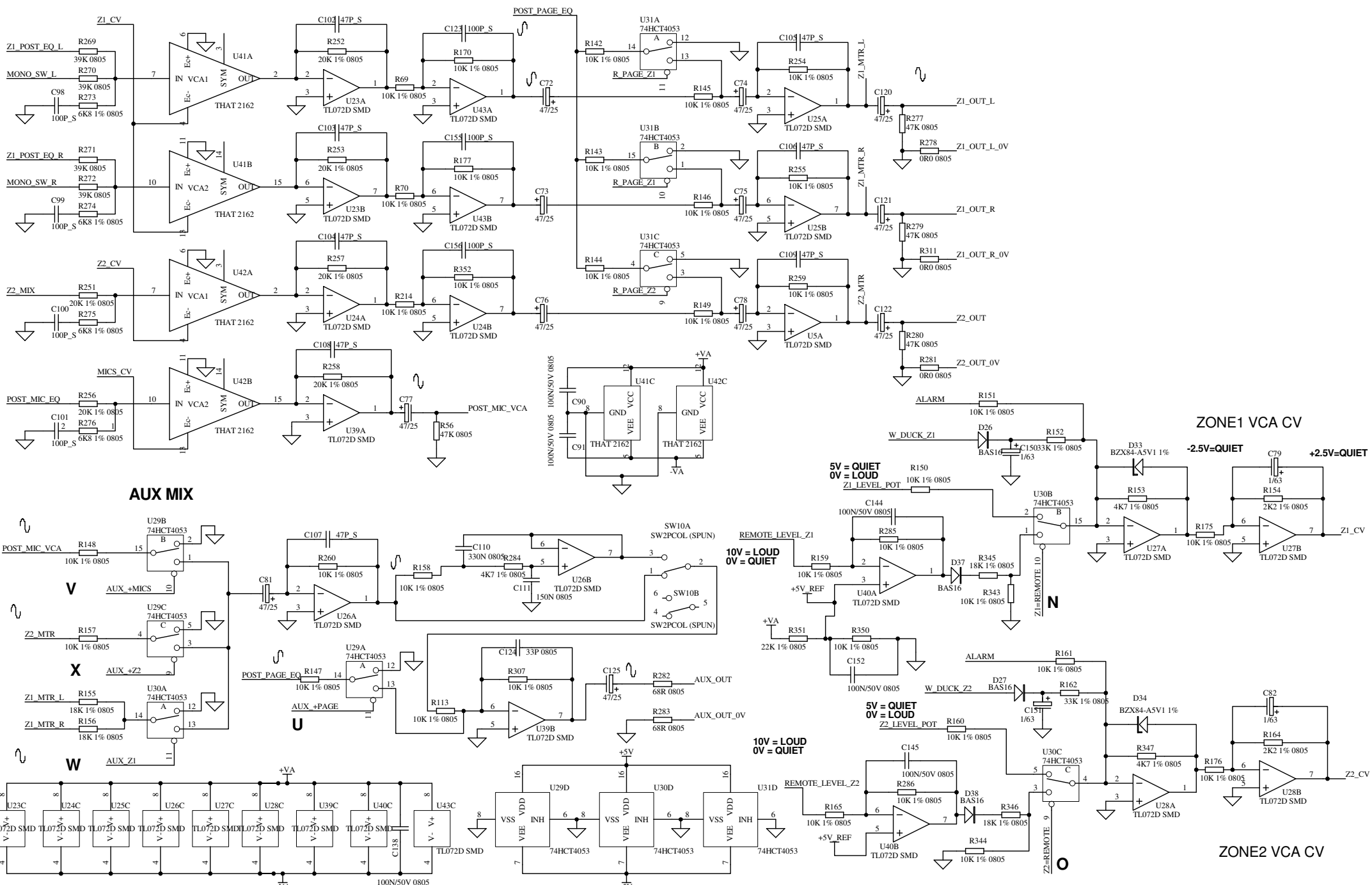


ALLEN&HEATH
 Kernick Industrial Estate,
 Penryn, Cornwall,
 England. TR10 9LU
 Tel: +44 (0)1326 372070
 Fax: +44 (0)1326 370153

ISSUE	BY	DATE	CHK BY
1	MG	04/08/05	
1.1	AAT	29/09/05	
2	MG	14/11/05	
3	AAT	08-09-10	
4	AAT	07-09-11	
5	JB	16-01-12	
6	AAT	21-01-13	

VR11C POT14 20KB X2 C/D BRK15	VR12C POT14 20KB X2 C/D BRK15	FILE: C6291_6P4.Sch	PRINTED: 14:51:36 1-Feb-2013
-------------------------------------	-------------------------------------	---------------------	------------------------------

TITLE: GR2 MAIN PCB	DRG No: C6291	ISSUE: 6	SHEET: 4 OF 7
PAGE:			



ALLEN&HEATH
 Kernick Industrial Estate,
 Penryn, Cornwall,
 England. TR10 9LU
 Tel: +44 (0)1326 372070
 Fax: +44 (0)1326 370153

ISSUE	BY	DATE	CHK BY
1	MG	04/08/05	
1.1	AAT	29/09/05	
2	MG	14/11/05	
3	AAT	08-09-10	
4	AAT	07-09-11	
5	JB	16-01-12	
6	AAT	21-01-13	

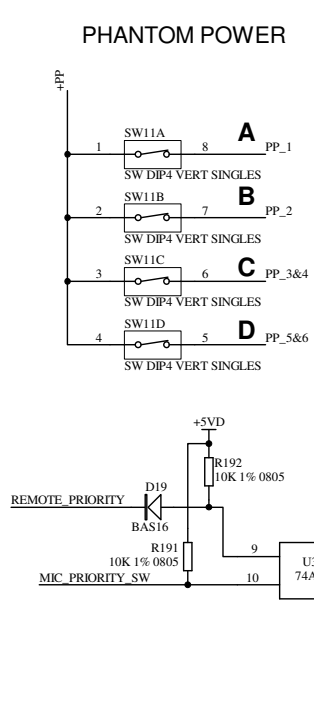
FILE: C6291_6P5.Sch

PRINTED: 14:51:36 1-Feb-2013

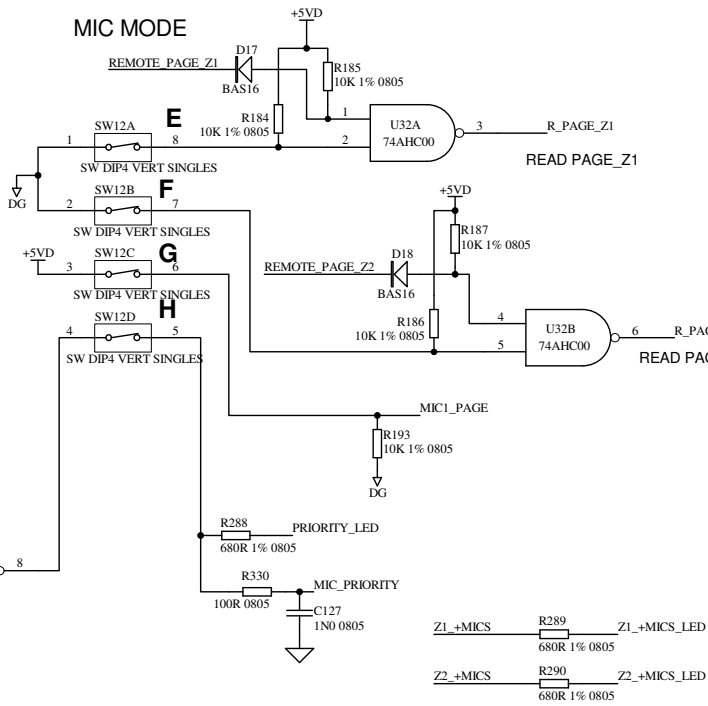
TITLE: GR2 MAIN PCB
 PAGE:

DRG No: C6291 ISSUE: 6 SHEET: 5 OF 7

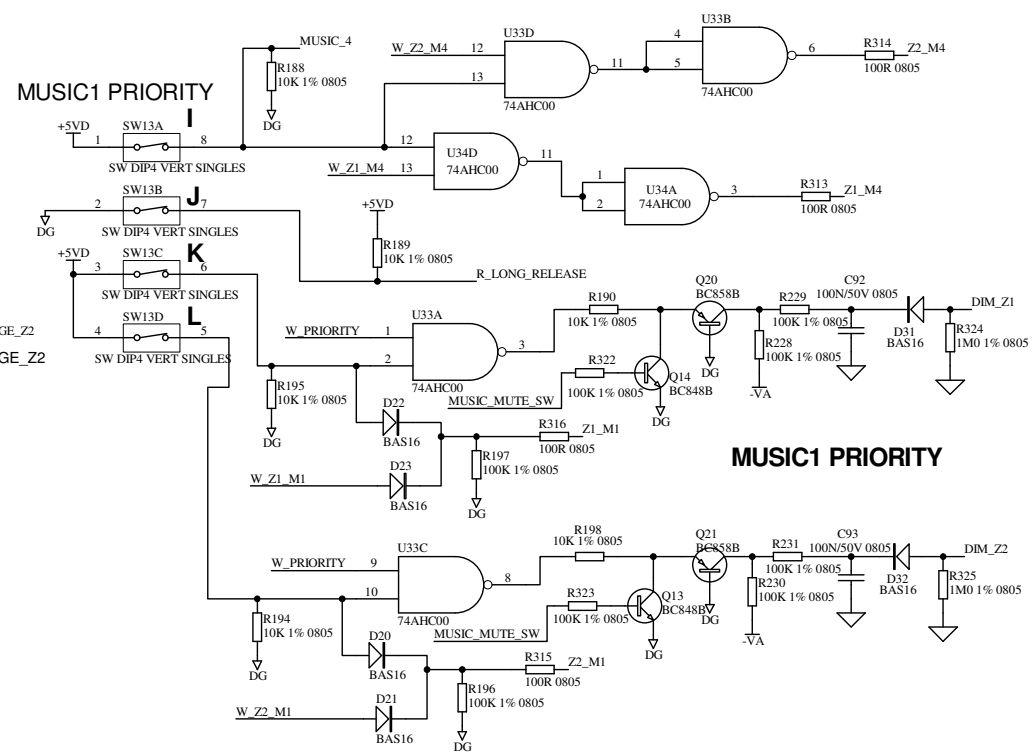
PHANTOM POWER



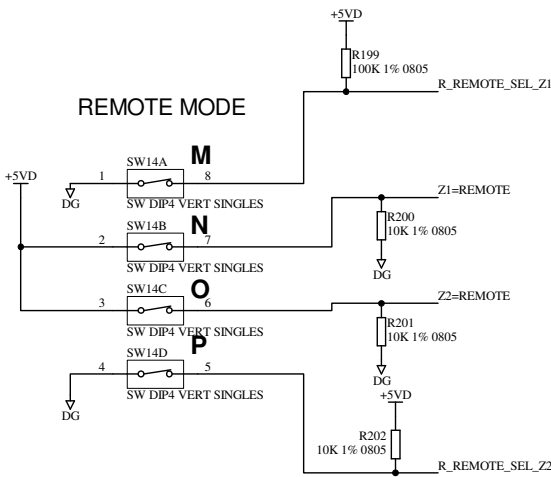
MIC MODE



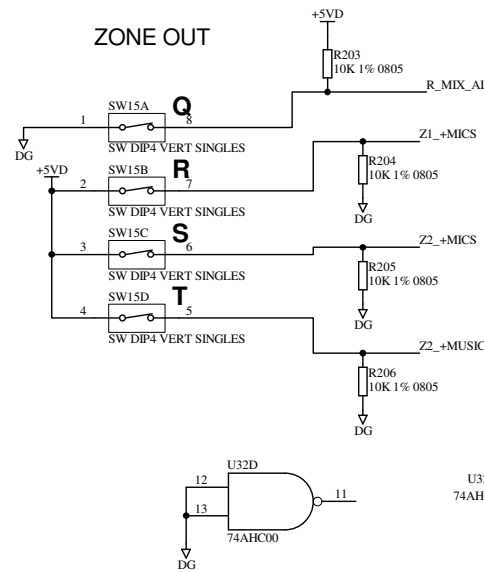
MUSIC1 PRIORITY



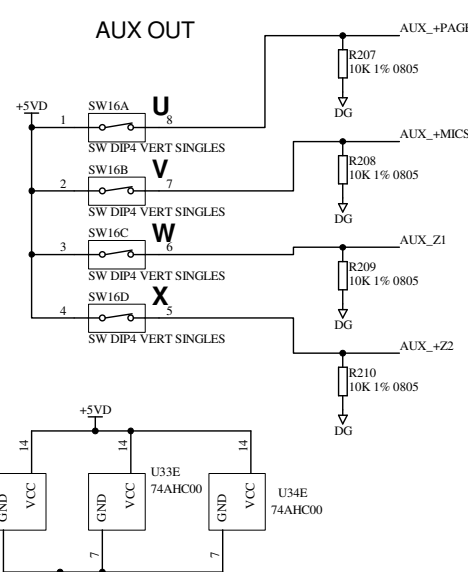
REMOTE MODE



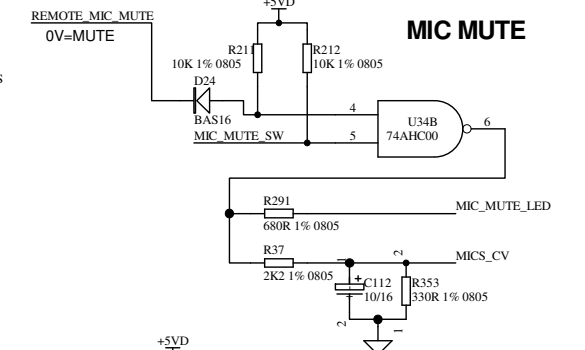
ZONE OUT



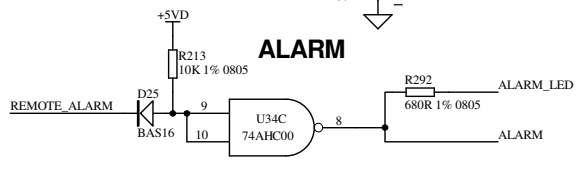
AUX OUT



MIC MUTE



ALARM



ALLEN&HEATH

Kernick Industrial Estate,
Penryn, Cornwall,
England. TR10 9LU
Tel: +44 (0)1326 372070
Fax: +44 (0)1326 370153

ISSUE	BY	DATE	CHK BY
1	MG	04/08/05	
1.1	AAT	29/09/05	
2	MG	14/11/05	
3	AAT	08-09-10	
4	AAT	07-09-11	
5	JB	16-01-12	
6	AAT	21-01-13	

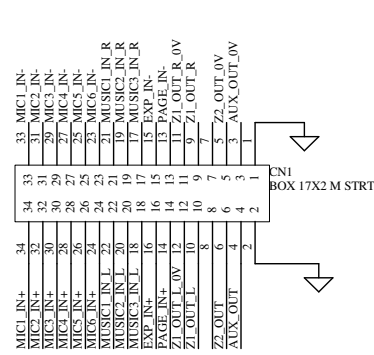
FILE: C6291_6P6.Sch

PRINTED: 14:51:36 1-Feb-2013

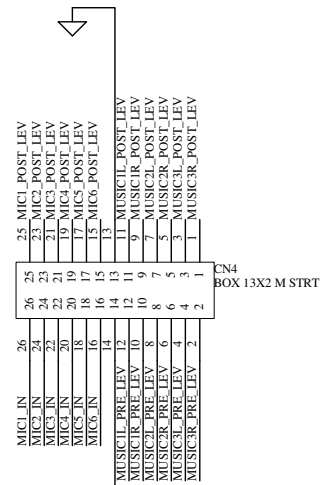
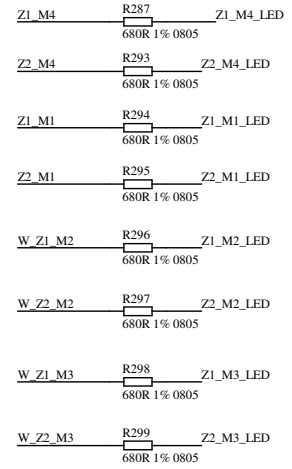
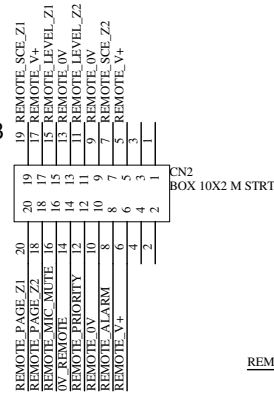
TITLE: GR2 MAIN PCB

PAGE:

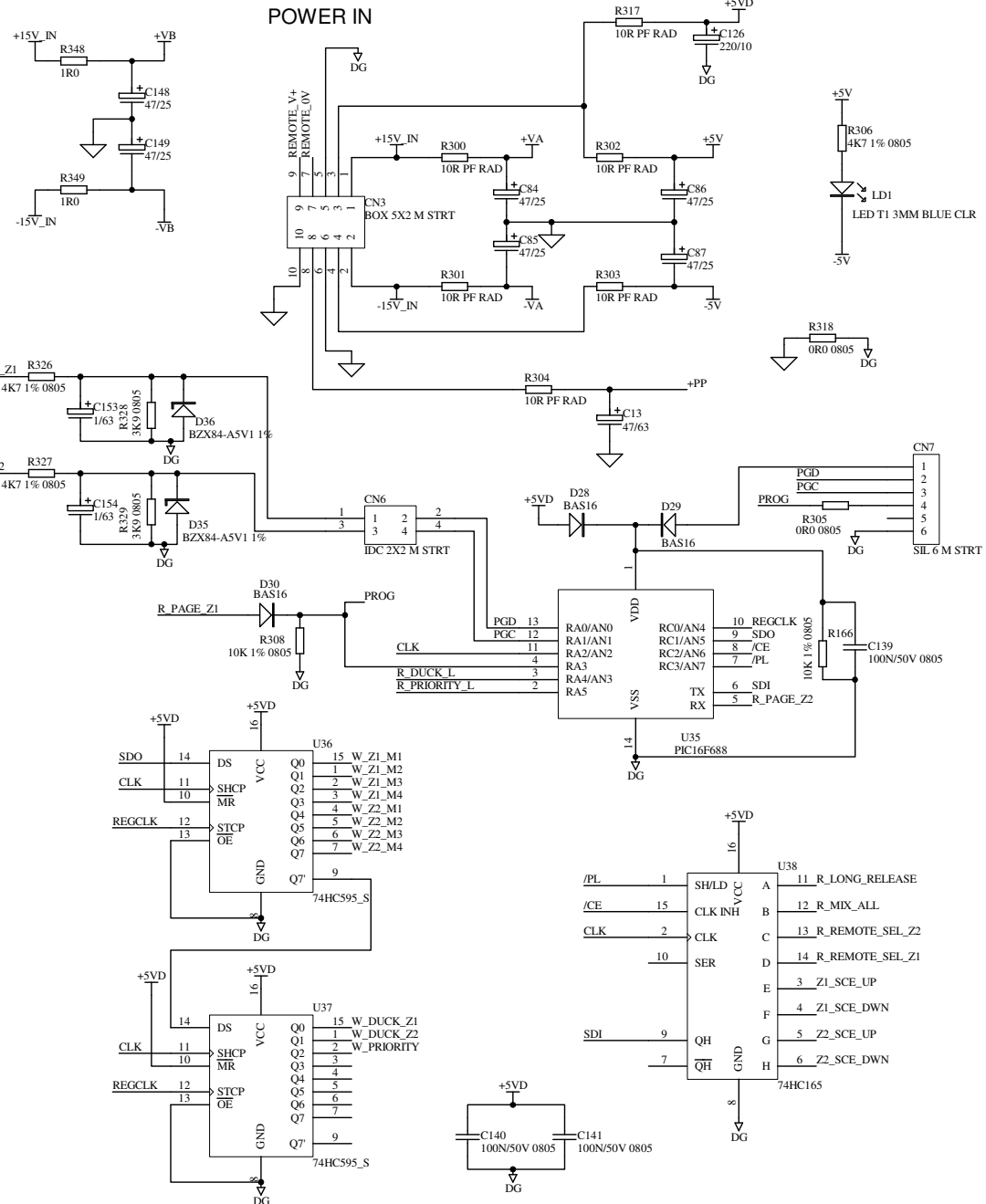
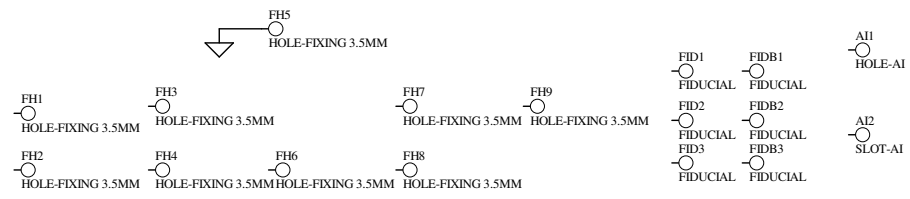
DRG No: C6291 ISSUE: 6 SHEET: 6 OF 7



TO REAR PCB



TO FRONT SUB PCB



ALLEN&HEATH
 Kernick Industrial Estate,
 Penryn, Cornwall,
 England. TR10 9LU
 Tel: +44 (0)1326 372070
 Fax: +44 (0)1326 370153

ISSUE	BY	DATE	CHK BY
1	MG	04/08/05	
1.1	AAT	29/09/05	
2	MG	14/11/05	
3	AAT	08-09-10	
4	AAT	07-09-11	
5	JB	16-01-12	
6	AAT	21-01-13	

FILE: C6291_6P7.Sch

PRINTED: 14:51:36 1-Feb-2013

TITLE: **GR2 MAIN PCB**
 PAGE:
 DRG No: **C6291** ISSUE: **6** SHEET: **7 OF 7**