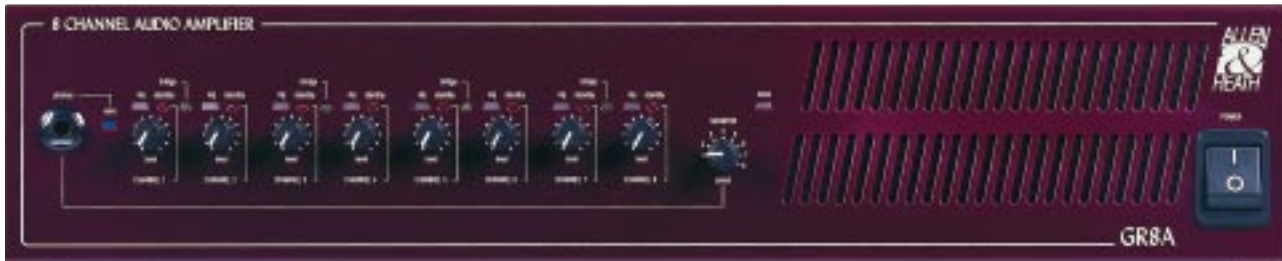


# 8-Channel Installation Amplifier.

GR8A



The GR8A is the perfect choice for today's multi-zone installations.

- 8 channels - 60W into 4 ohms each.
- Paired outputs offer 120W into 8 ohms bridged.
- Remote channel-by-channel STANDBY operation with indicators.
- Output monitoring on headphones or external speaker.
- 3-colour input meter per channel.
- 24V battery backup input.
- Mono or stereo 'Common Input' modes available for background music distribution.
- Front-panel temperature monitor and 3-speed cooling system.
- Level control lock-out for to prevent tampering.

**GR8A** provides 8 channels of amplification in a compact, affordable format - and it saves time and effort when wiring up the system. This innovation builds on the excellent reputation that Allen & Heath have established over almost 30 years in professional audio. As you would expect from a company that has made its name in the demanding world of touring sound, GR8A is built and tested to the highest standards to ensure long, trouble-free service. GR8A is the ideal companion to the other members of the Allen & Heath Contractor Series, including the DR128 and DR66 digital installation mixers and the GR series of zone mixers. As you'd expect from Allen & Heath, GR8A incorporates a number of unique, practical



features. The monitoring system allows you to check the audio at the outputs - used together with the input meters, you can easily check the whole signal path through the amp. Removable controls and blank plugs protect against tampering, whilst remote control of amplifier standby status means that zones can be turned on or off using simple wall switches. In the event of mains failure, GR8A can switch to two 24V batteries for continuous operation.

For basic zoning and distribution systems, GR8A is an excellent one box standalone solution. A common input can be routed to multiple outputs, either in stereo or mono. This can be done on all 8 inputs or in blocks of 4.

**Contractor**

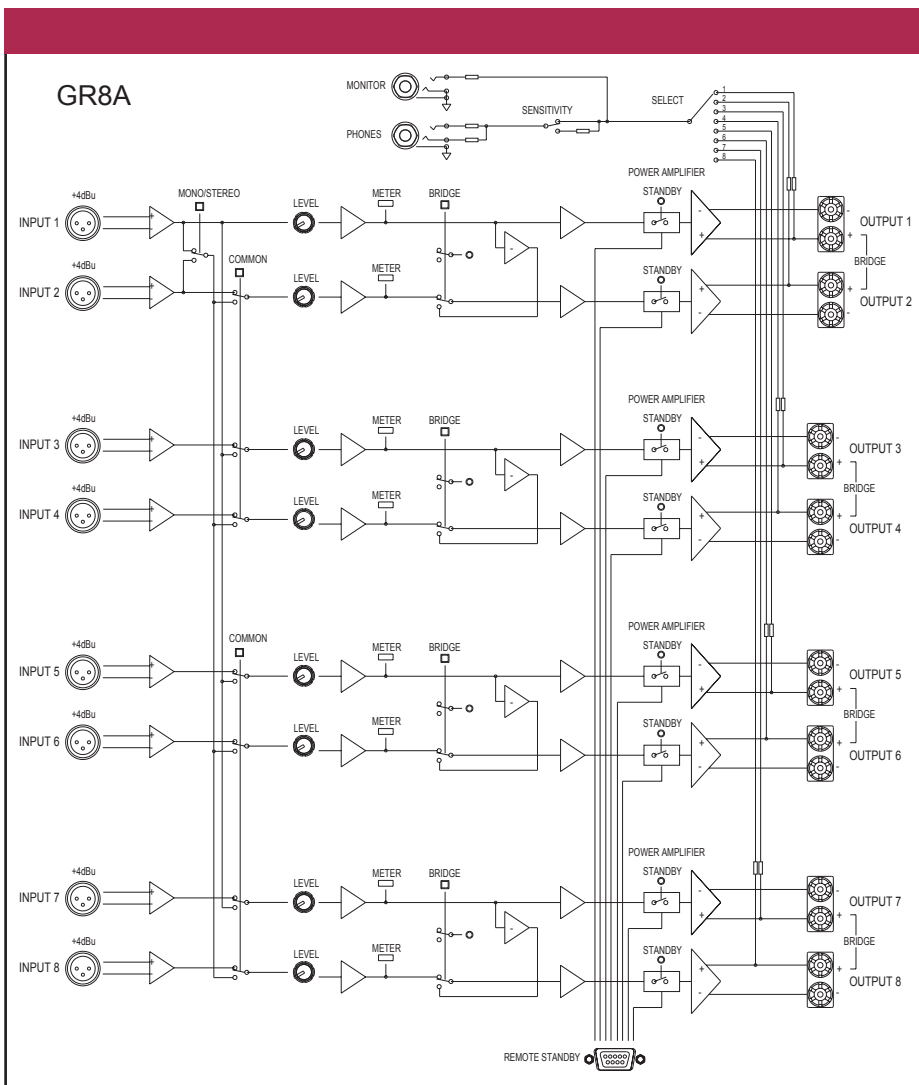


H A Harman International Company

**ALLEN & HEATH**  
Kernick Industrial Estate,  
Penryn, Cornwall TR10 9LU, UK.  
Tel: +44 (0)1326 372070  
Fax: +44 (0)1326 377097  
<http://www.allen-heath.com>  
email: sales@allen-heath.com



# GR8A



## GR8A specifications

Parameter	Condition	Value
<b>Total harmonic distortion</b>	6W, 1kHz, 8 ohms	0.03%
<b>Frequency response</b>		20-20kHz ±0/-3dB
<b>Input sensitivity</b>	For max power	+4dBu
<b>Input impedance</b>		>20k ohms
<b>Output power per channel</b>	Unbridged	4 ohms 60W rms 8 ohms 40W rms
	Bridged	8 ohms 120W rms
<b>Peak Transient power</b>	4ohms unbridged	130W
	8ohms bridged	250W
<b>Slew rate</b>		10V/μs
<b>Protection</b>		Dynamic over temp protection on each channel Dual temp sensor with 2 speed fan (fan turns off when cool)
<b>Stand-by attenuation</b>	Stand-by on	80dB
<b>Connectors</b>	Input	XLR
	Output	Binding posts
<b>Power consumption</b>	Min (no signal)	50W
	Maximum	500W
<b>AC Power connector</b>		Standard IEC 3 pin LNE, IEC to moulded plug (country dependent) Voltage selection internally wired
<b>Fuse rating</b>		6.3A
<b>Battery backup requirement</b>		Two x 24v batteries 10A max
<b>Dimensions</b>		486 x 380 x 89mm
<b>Unpacked weight</b>		9.5kg
<b>Packed weight</b>		10kg



**ALLEN & HEATH**  
Kernick Industrial Estate,  
Penryn, Cornwall TR10 9LU.  
Tel: +44 (0)1326 372070  
Fax: +44 (0)1326 377097  
<http://www.allen-heath.com>



The GR8A complies with the European Directives for Electromagnetic Compatibility 89/336/EEC & 92/31/EEC



**H** A Harman International Company