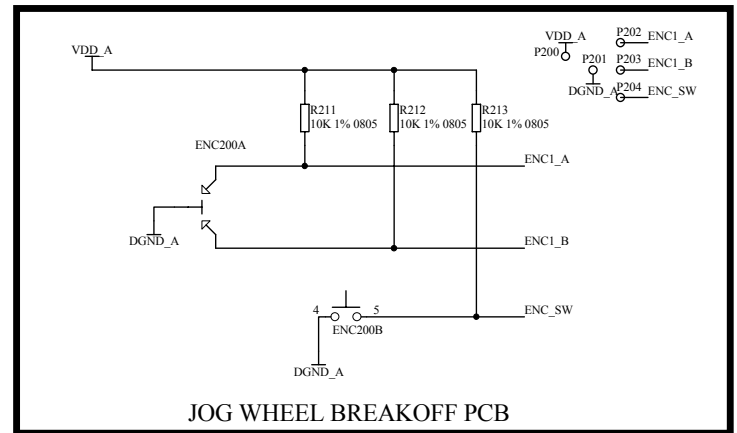
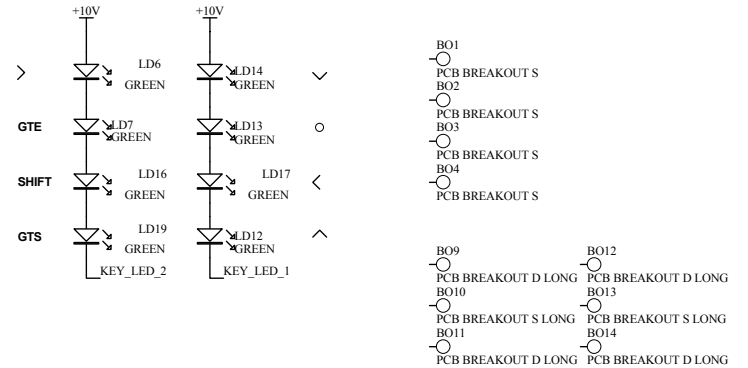
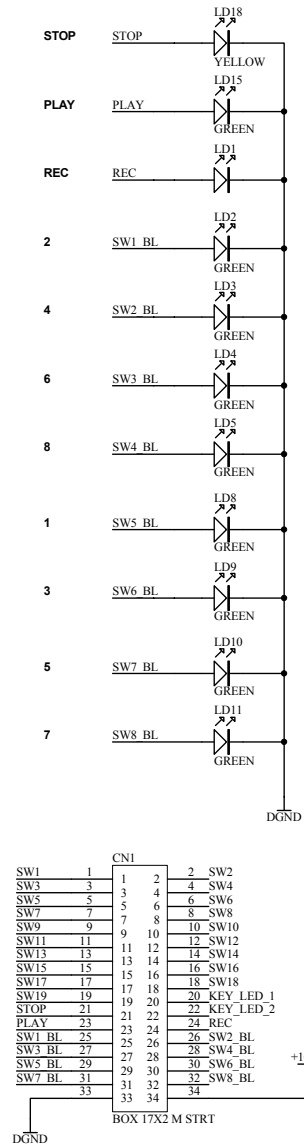


- FH1 HOLE-FIXING 2.8MM
- FH2 HOLE-FIXING 2.8MM
- FH3 HOLE-FIXING 2.8MM
- FH4 HOLE-FIXING 2.8MM
- FH5 HOLE-FIXING 2.8MM
- FH6 HOLE-FIXING 2.8MM
- FH7 HOLE-FIXING 2.8MM
- FH8 HOLE-FIXING 2.8MM
- FH9 HOLE-FIXING 2.8MM

- FID1 FIDUCIAL
- FID2 FIDUCIAL



**ALLEN&HEATH**

Kernick Industrial Estate,  
Penryn, Cornwall,  
England. TR10 9LU

Tel: +44 (0)1326 372070  
Fax: +44 (0)1326 370153

| ISSUE | BY      | DATE                 | CHK BY     |
|-------|---------|----------------------|------------|
| A 1   | GWR AAT | 18-06-09<br>05-07-10 | XXX<br>XXX |

FILE: C7714\_1P1\_Keypad.Sch

\* All parts to be RoHS Compliant \*

PRINTED: 15:11:51 13-Sep-2010

TITLE: GS-R24 KEYPAD

PAGE:

DRG No: C7714 ISSUE: 1 SHEET: 1 OF 1