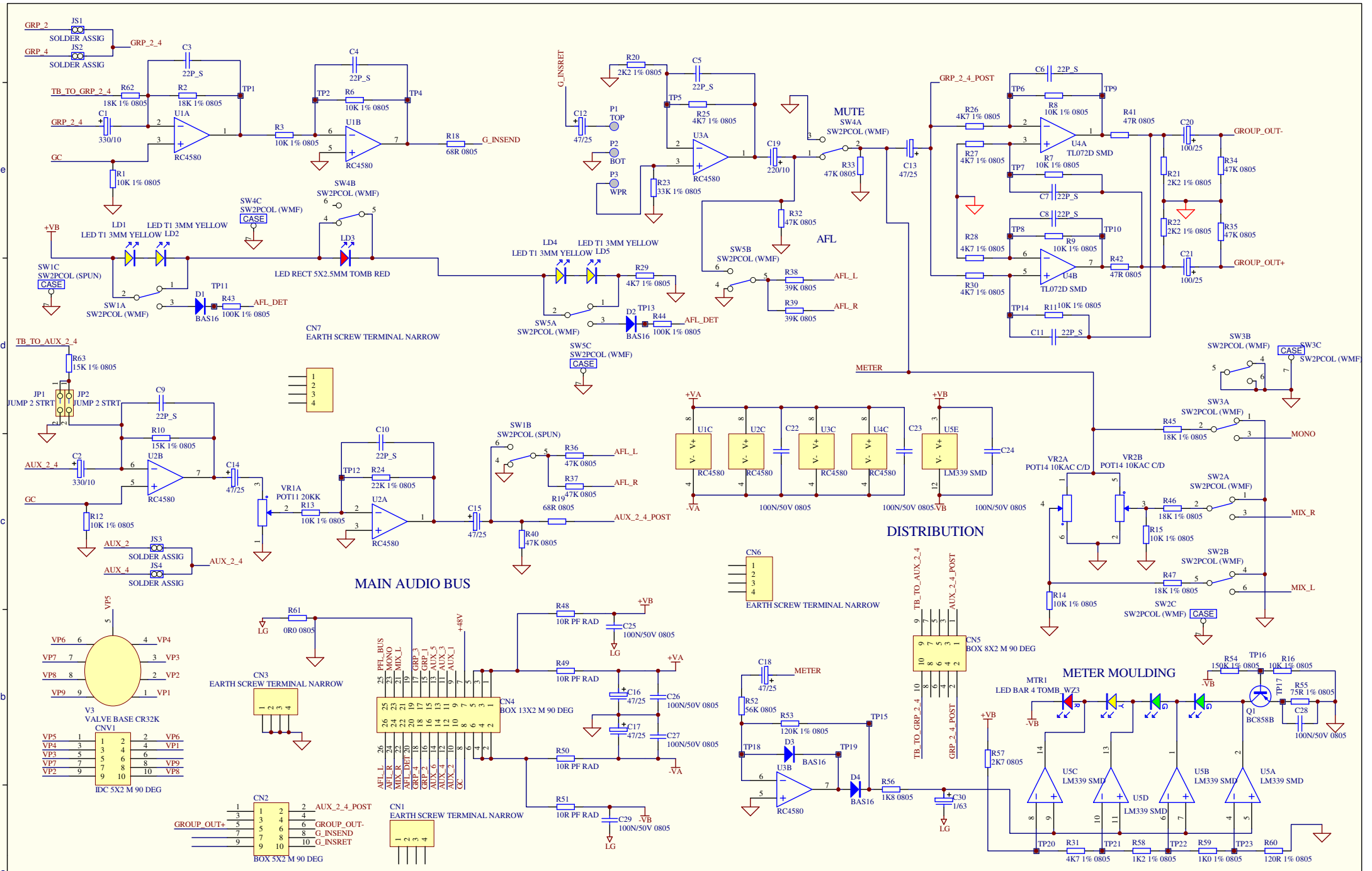


GROUP 2-4
AG7635_3
ALLEN & HEATH UL 94U-0

FIDP1

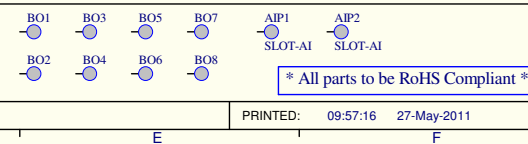
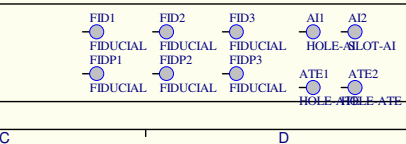
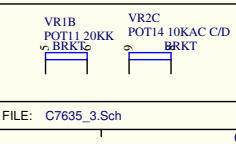
TOP BOT WPR

UL 94U-0
AG7635_1



ALLEN & HEATH
 Kernick Industrial Estate,
 Penryn, Cornwall
 England. TR10 9LU
 Tel: +44 (0)1326 372070
 Fax: +44 (0)1326 370153

ISSUE	BY	DATE	CHK BY
A	MG	27/07/09	MG
B	AAT	02/09/09	XXX
1	AAT	23/06/10	XXX
2	AAT	18/10/10	XXX
3	AAT	26/05/11	XXX



TITLE: GS-R24 GROUP 2-4
PAGE:
DRG No: C7635 **ISSUE: 3** **SHEET: 1 OF 1**

* All parts to be RoHS Compliant *

PRINTED: 09:57:16 27-May-2011