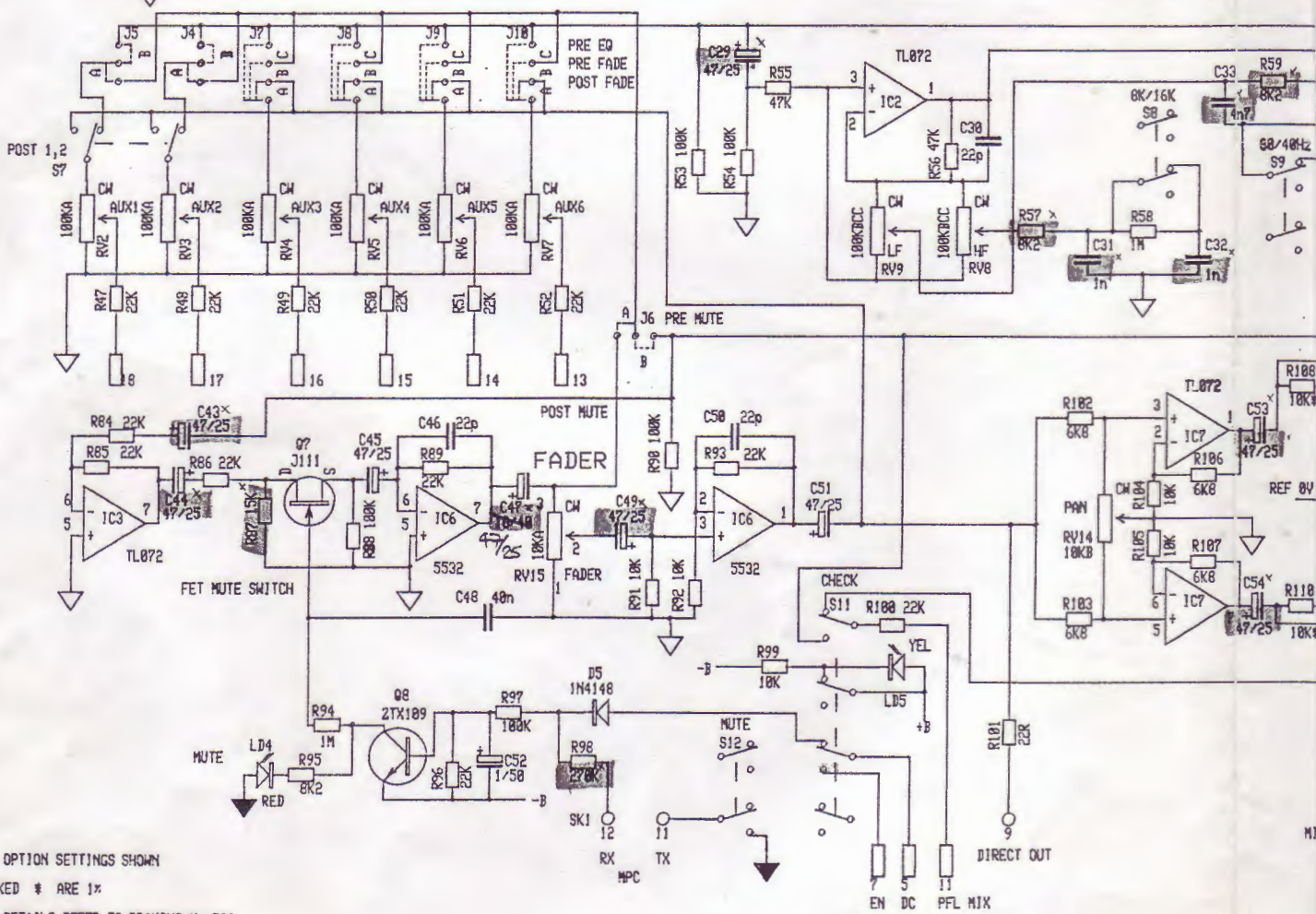
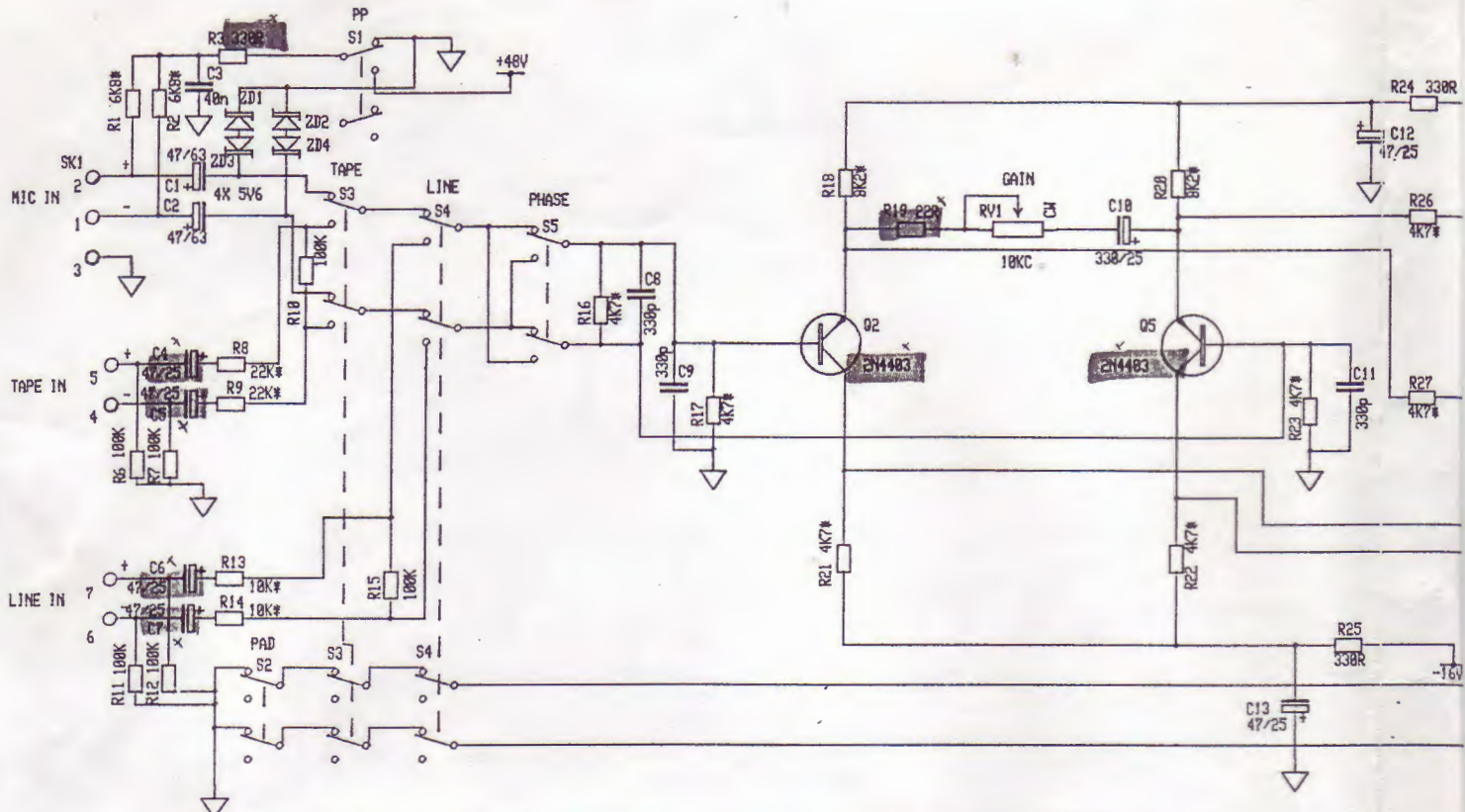


SERIES  
 PUT PCB TYPE  
 AG0210 issue 1

ALLEN & HEATH  
 KERNICK IND. EST. TEL. 0325 72070  
 PENRYN FAX. 0326 77097  
 CORNWALL TR109LU

CONVERT M310 TO M310-1 MODULE

CD 4-2-91



STANDARD LINK OPTION SETTINGS SHOWN  
 RESISTORS MARKED \* ARE 1%  
 FOR CONNECTOR DETAILS REFER TO DRAWING No. 738

DRAWING No.

723 ISSUE 3

REVISED EQUALISER RANGE  
 DITION OF SIG. PRES AND EQ LED

BY DATE

CD 31-1-91

= PCB VALUE CHANGES  
 = LEDS ADDED

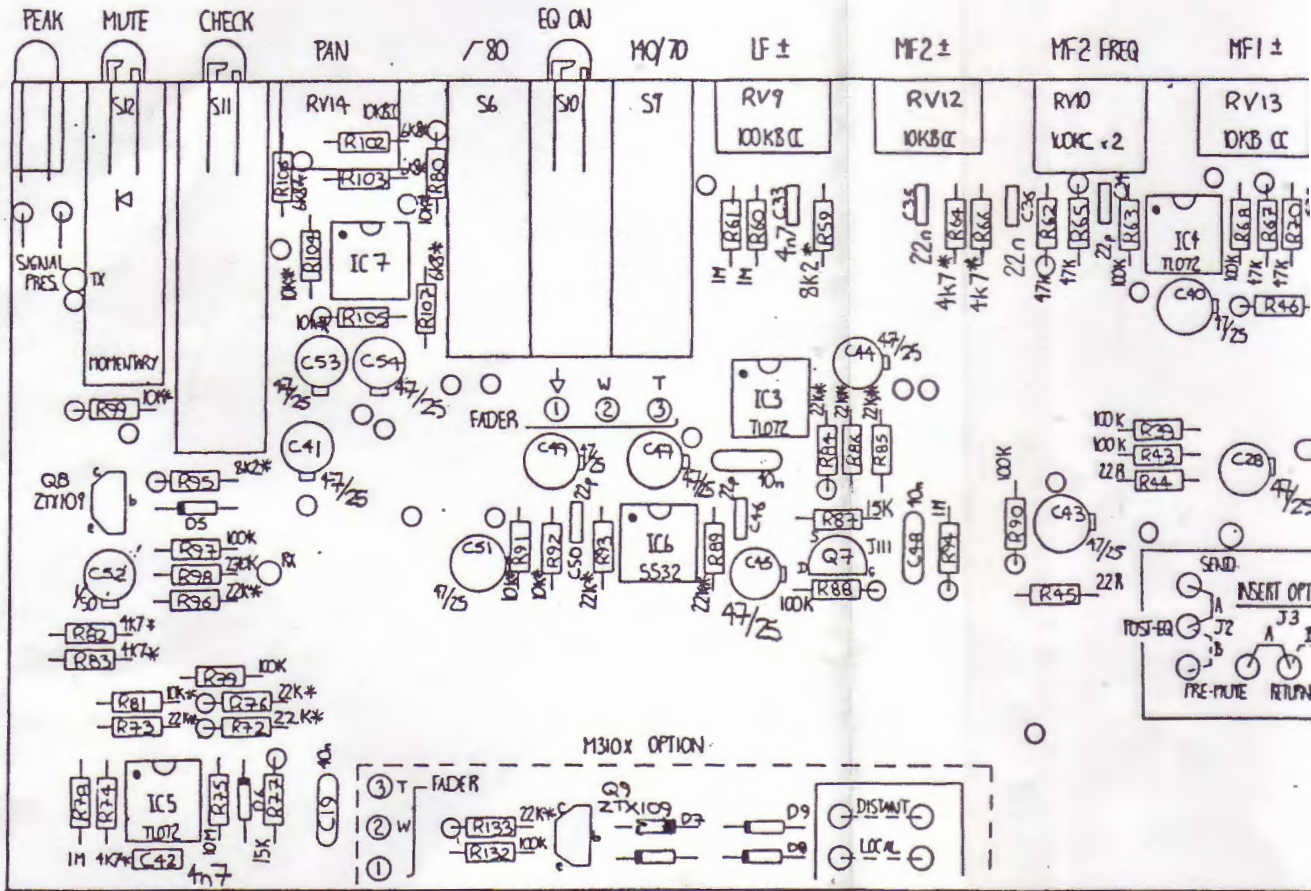
TO MODX ASSY

SABER SE

M310-1MONO INPUT

UPDATES HIGHLIGHTED TO COM

\* ALL 4K7, 10K, 100K, 1M, 10M, 100M, 1K, 10K, 100K, 1M, 10M, 100M



ALLEN+HEATH SABER MONO INPUT M310-1 PCB AGO210 ISSUE 1

DRAWING No. BW353'

DRAWN BY CD 13-6-87

MF1 ±    MF1 FREQ    HF ±    6k/12k    AUX 6    AUX 5    AUX 4    AUX 3    AUX 2    AUX 1    FREQ

