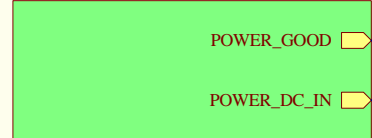
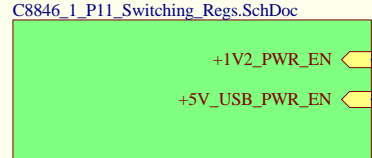


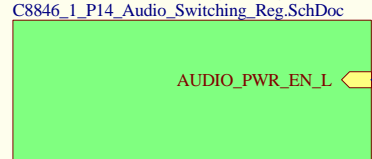
PoE
C8846_1_P10_POE.SchDoc



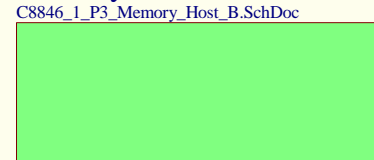
Switching Regs
C8846_1_P11_Switching_Regs.SchDoc



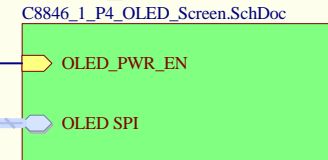
Audio Switching Reg
C8846_1_P14_Audio_Switching_Reg.SchDoc



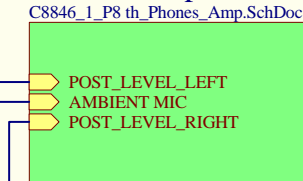
Memory_Host_B
C8846_1_P3_Memory_Host_B.SchDoc



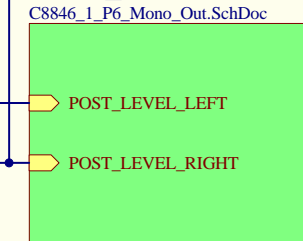
OLED_Screen
C8846_1_P4_OLED_Screen.SchDoc



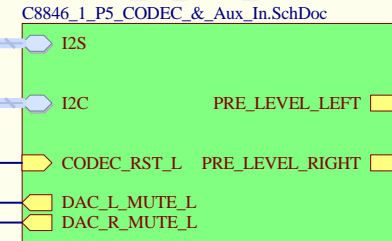
Phones_Amp
C8846_1_P8 th_Phones_Amp.SchDoc



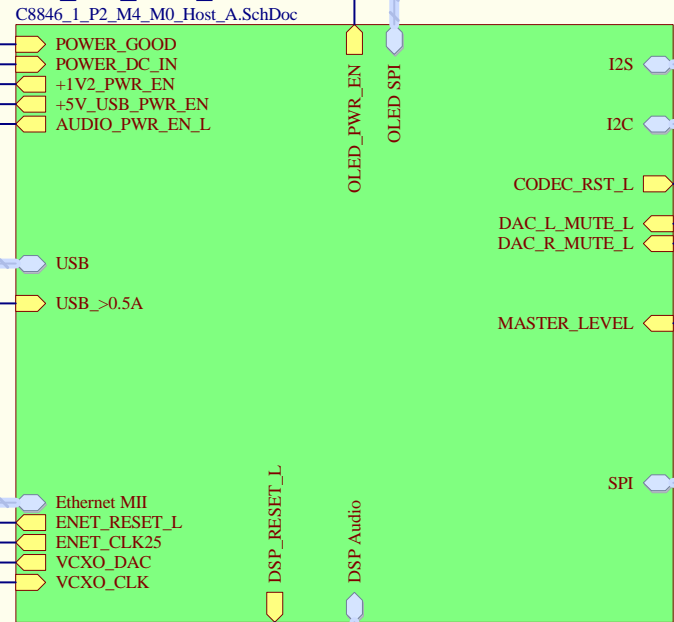
Mono_Out
C8846_1_P6_Mono_Out.SchDoc



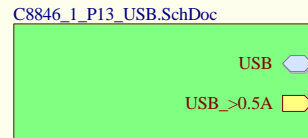
CODEC_& Aux_In
C8846_1_P5_CODEC_& Aux_In.SchDoc



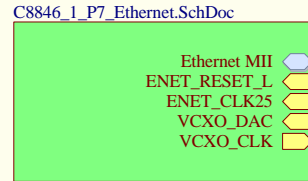
M4_M0_Host_A
C8846_1_P2_M4_M0_Host_A.SchDoc



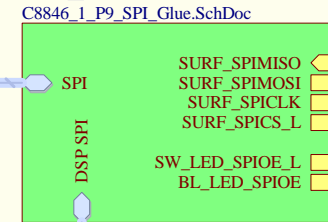
USB
C8846_1_P13_USB.SchDoc



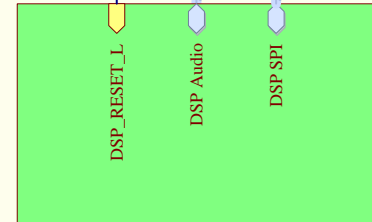
Ethernet
C8846_1_P7_Ethernet.SchDoc



SPI_Glue
C8846_1_P9_SPI_Glue.SchDoc

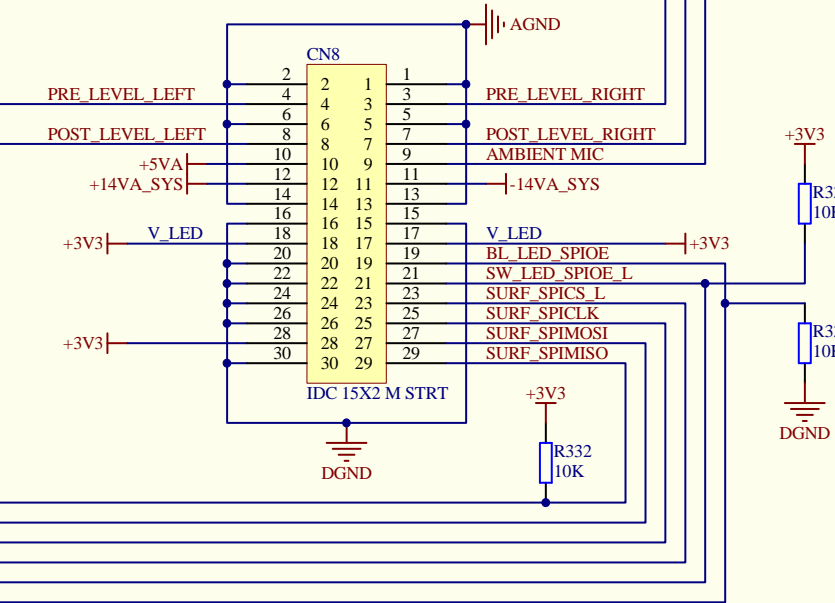


DSP
C8846_1_P12_DSP.SchDoc



Digital Master Level Option

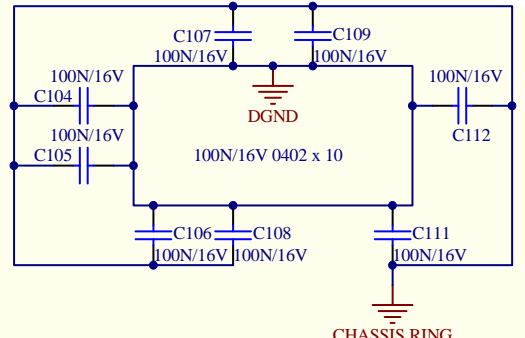
Surface Header
Fit bottom side



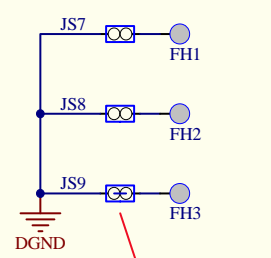
6 layer board stack:

- Top. Signal
- Mid1. 3V3 / 12V / +14V / -14V
- Mid2. Signal
- Mid3. Signal
- Mid4. DGND / AGND
- Bottom. Signal

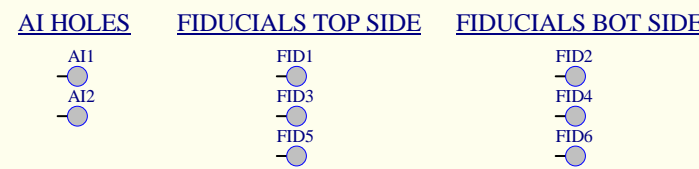
First track impedance controlled lines on bottom layer.
CHASSIS guard ring on all layers around board edge.



HOLE-FIXING 3.5MM+PAD x 3
SOLDER ASSIG DEFAULT x 3
SOLDER ASSIG x 3



3 x JS can go on bottom side.



ALLEN&HEATH
Kernick Industrial Estate,
Penryn, Cornwall,
England. TR10 9LU
Tel: +44 (0)1326 372070
Fax: +44 (0)1326 370153

| ISSUE | BY | DATE | CHK BY |
|-------|----|----------|--------|
| A | AG | 28/02/12 | |
| B | AG | 12/11/12 | |
| 1 | AG | 09/01/13 | |

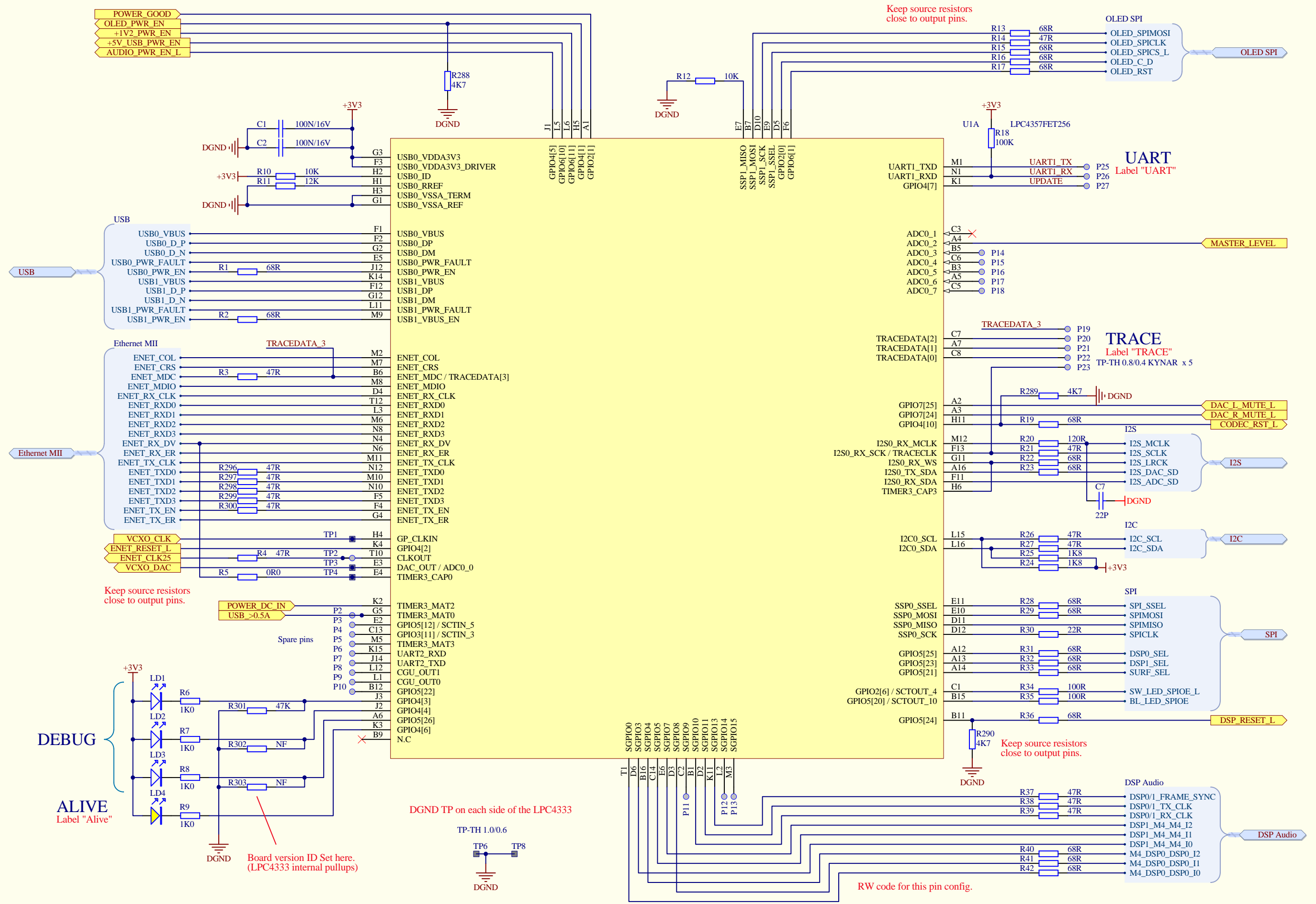
FILE: C8846_1_P1_Main_Board_Top.SchDoc

* All parts to be RoHS Compliant *

PRINTED: 1:06:24 PM 1/25/2013

TITLE: **ME1 Main Board**
PAGE: **Main Board Top**

DRG No: **C8846** ISSUE: **1** SHEET: **1 OF 14**



ALLEN&HEATH
 Kernick Industrial Estate,
 Penryn, Cornwall,
 England. TR10 9LU
 Tel: +44 (0)1326 372070
 Fax: +44 (0)1326 370153

| ISSUE | BY | DATE | CHK BY |
|-------|----|----------|--------|
| A | AG | 28/02/12 | |
| B | AG | 12/11/12 | |
| 1 | AG | 09/01/13 | |

FILE: C8846_1_P2_M4_M0_Host_A.SchDoc

PRINTED: 1:06:24 PM 1/25/2013

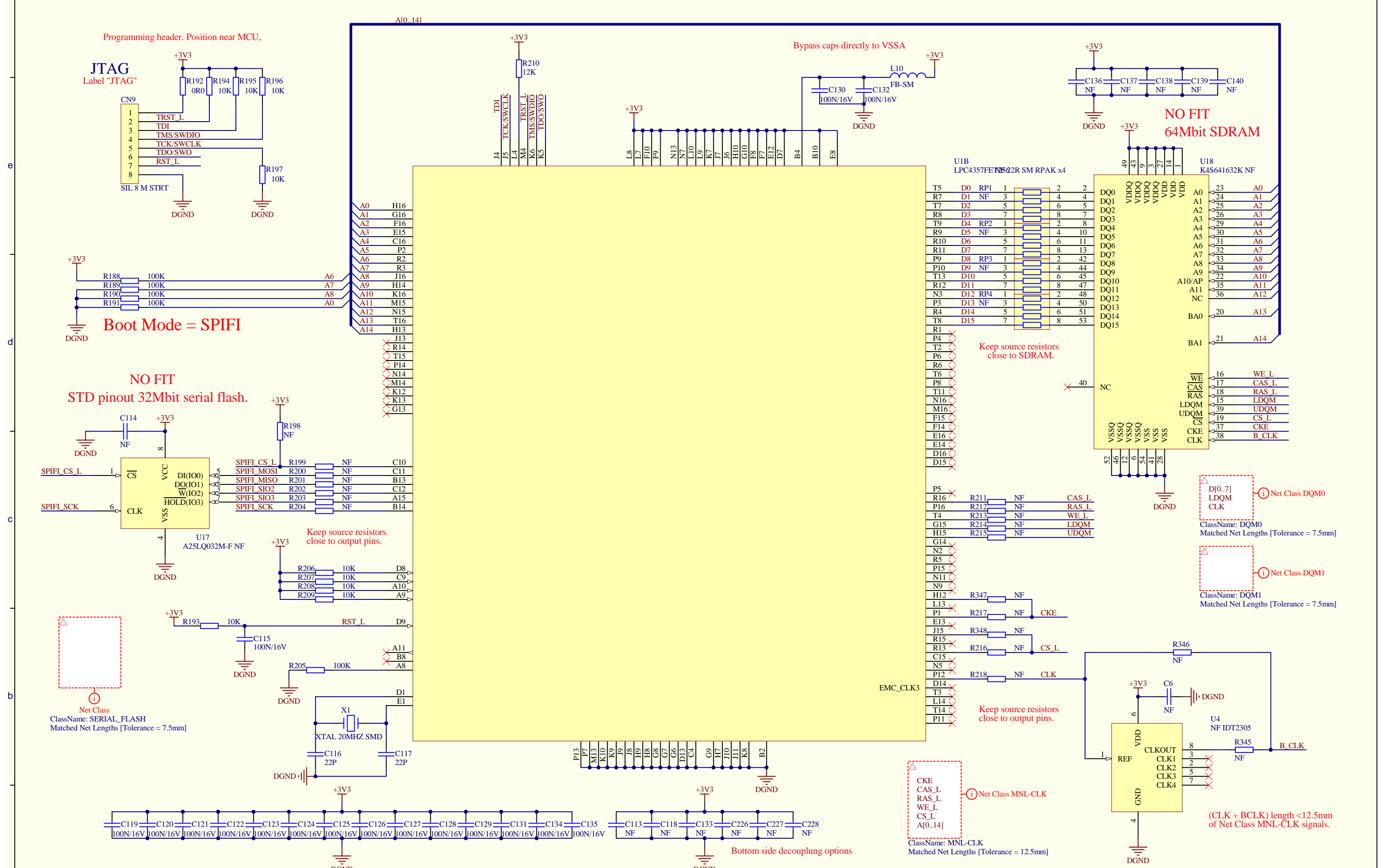
TITLE: **ME1 Main Board**
 PAGE: **M4/M0 Host_A**
 DRG No: **C8846** ISSUE: **1** SHEET: **2 OF 14**

* All parts to be RoHS Compliant *

DGND TP on each side of the LPC4333

Board version ID Set here.
 (LPC4333 internal pullups)

RW code for this pin config.



| ISSUE | BY | DATE | CHK BY |
|-------|----|----------|--------|
| A | AG | 28/02/12 | |
| B | AG | 12/11/12 | |
| 1 | AG | 09/01/13 | |

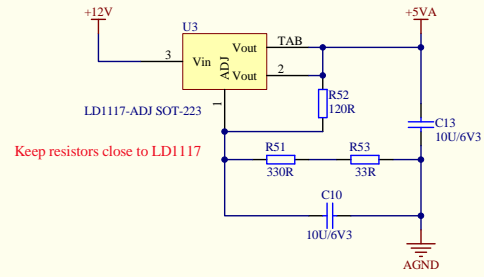
FILE: C8846_1_P3_Memory_Host_B.SchDoc

* All parts to be RoHS Compliant *

PRINTED: 1:06:25 PM 1/25/2013

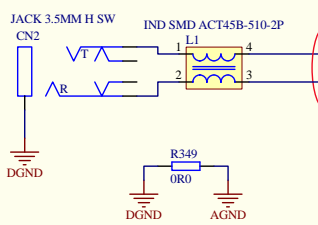
TITLE: **ME1 Main Board**
 PAGE: **Memory Host B**

DRG No: **C8846** ISSUE: **1** SHEET: **3 OF 14**



Nom: -8dBu

Aux In

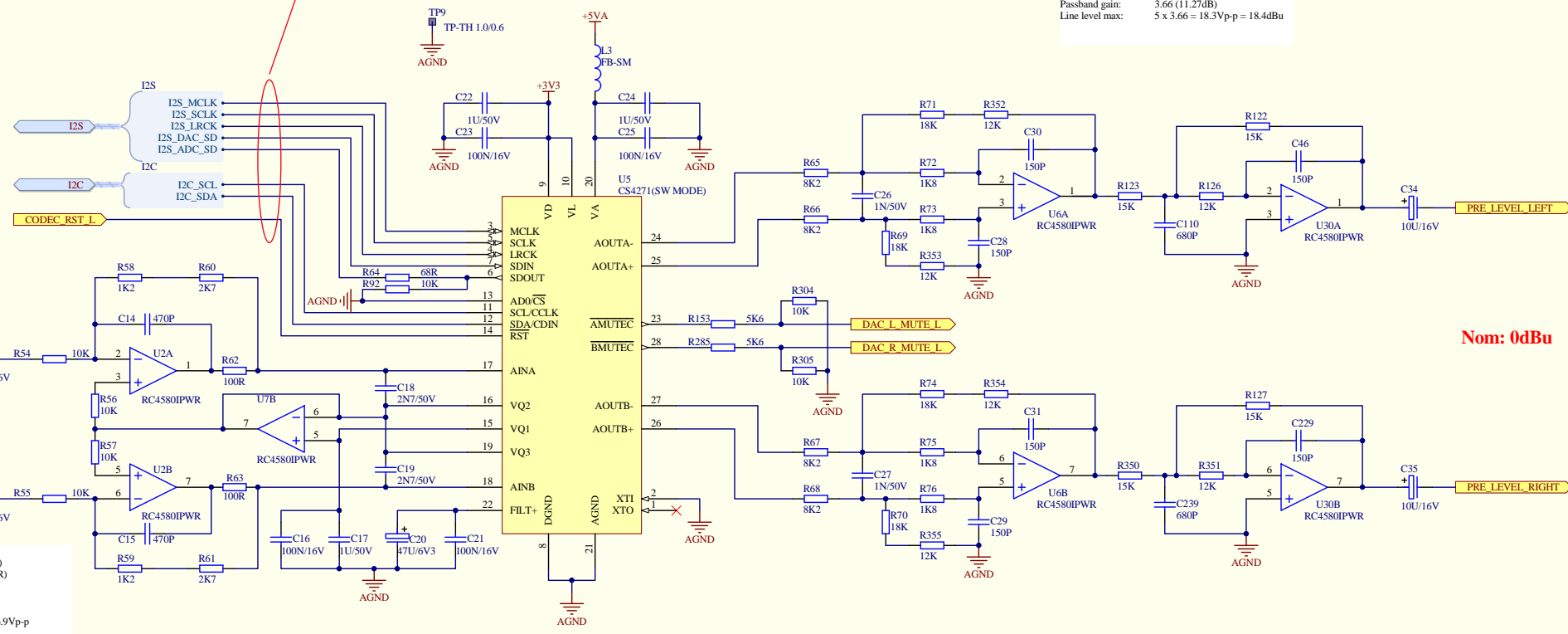


Inverting attenuator.
 Input Z: High (10k)
 Output Z: Low (100R)
 ADC input max: 2.8Vp-p
 ADC input dc: 2.5V
 Aux input nom: -8dBu
 Aux input max: 10dBu = 6.9Vp-p
 Gain = 2.8/17.4 = 0.161

Carefully guarded tracks on internal layer from distant AUX socket to CODEC.
 Keep away from clocks and inductors.

These tracks follow AGND-DGND connection point.

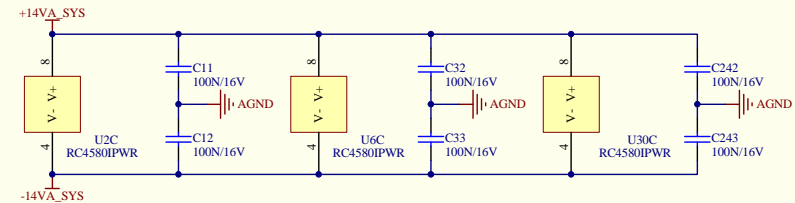
AGND TP close to digital inputs



4th order Multiple Feedback LP (24dB/oct)
 Input Z: High (8.2k)
 Output Z: Low
 fc: 31kHz
 DAC output max: 5Vp-p
 Passband gain: 3.66 (11.27dB)
 Line level max: 5 x 3.66 = 18.3Vp-p = 18.4dBu

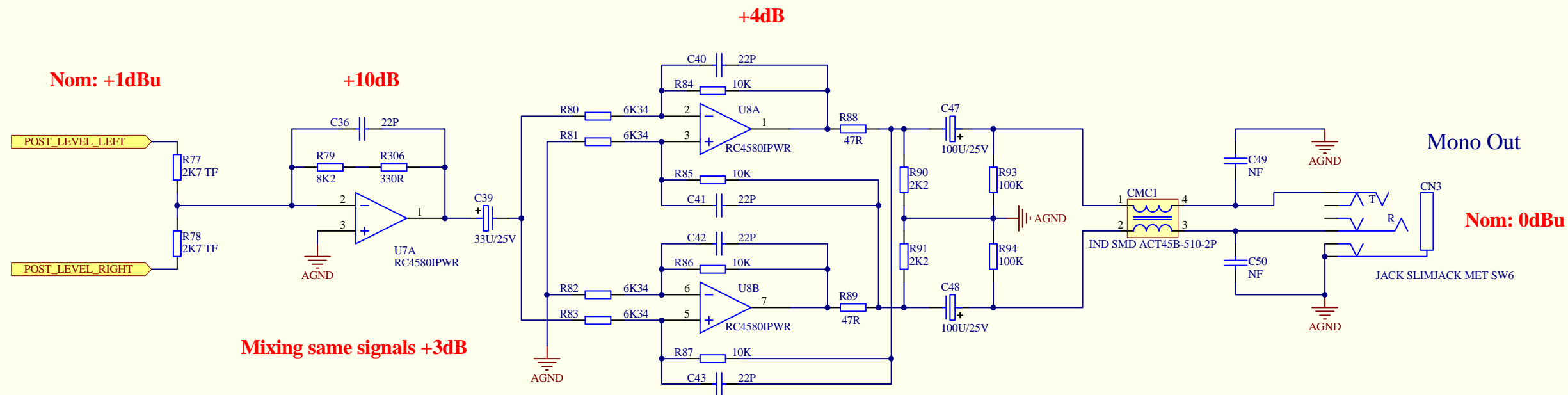
Nom: 0dBu

U7A and U7C on Mono Out sheet

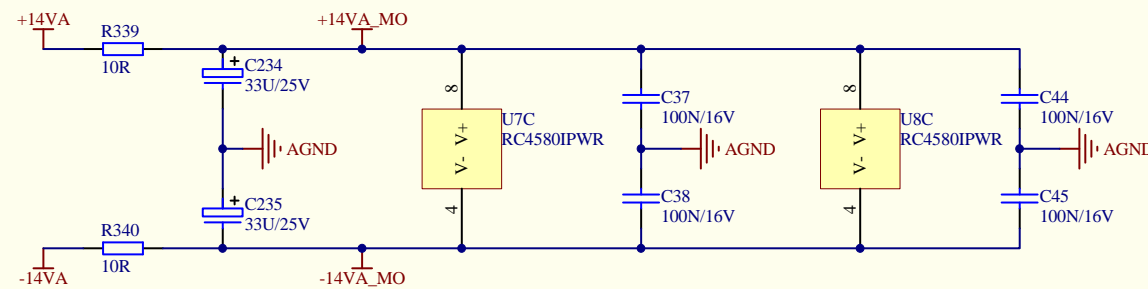


| ISSUE | BY | DATE | CHK BY |
|-------|----|----------|--------|
| A | AG | 28/02/12 | |
| B | AG | 12/11/12 | |
| 1 | AG | 09/01/13 | |

* All parts to be RoHS Compliant *



U7B on CODEC sheet



ALLEN&HEATH

Kernick Industrial Estate,
Penryn, Cornwall,
England. TR10 9LU

Tel: +44 (0)1326 372070
Fax: +44 (0)1326 370153

| ISSUE | BY | DATE | CHK BY |
|-------|----|----------|--------|
| A | AG | 28/02/12 | |
| B | AG | 12/11/12 | |
| 1 | AG | 09/01/13 | |

FILE: C8846_1_P6_Mono_Out.SchDoc

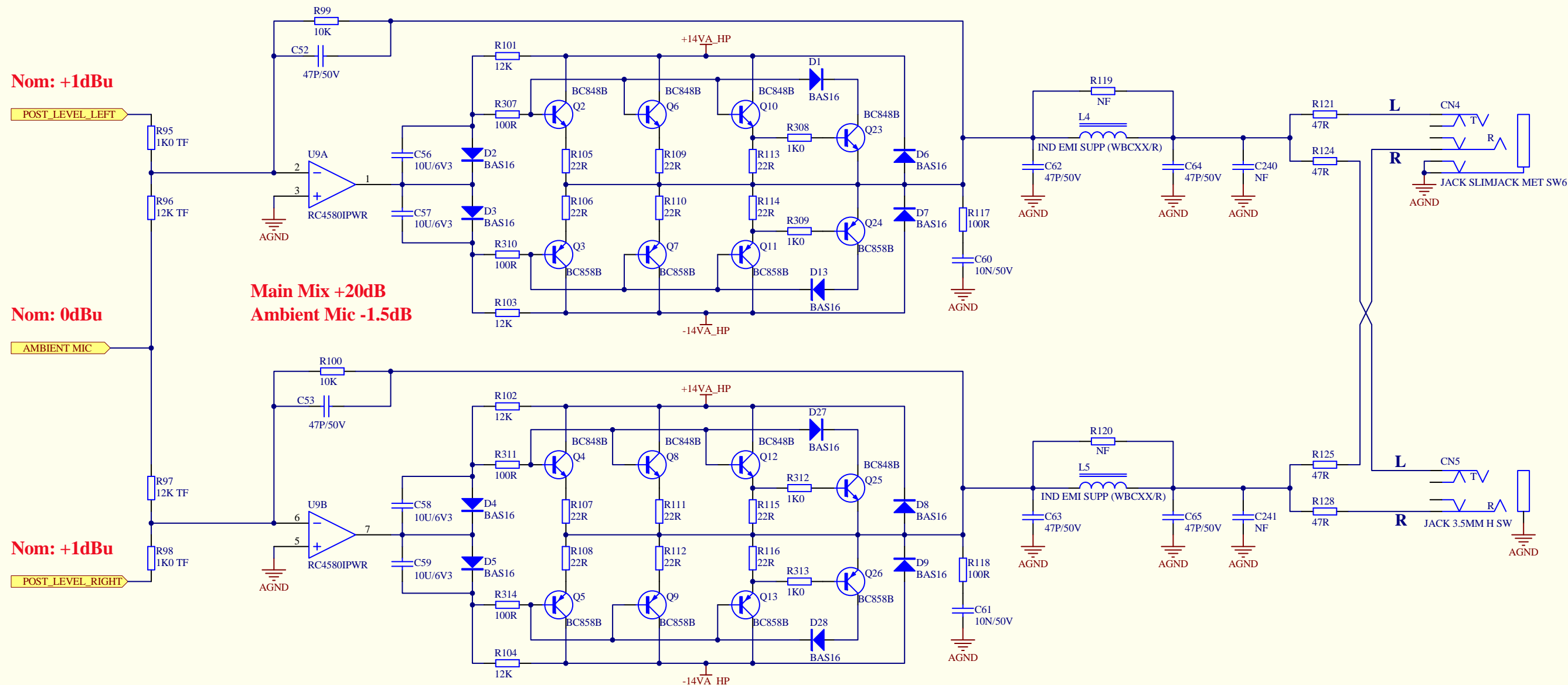
* All parts to be RoHS Compliant *

PRINTED: 1:06:25 PM 1/25/2013

TITLE: **ME1 Main Board**

PAGE: **Mono Out**

DRG No: **C8846** ISSUE: **1** SHEET: **6 OF 14**



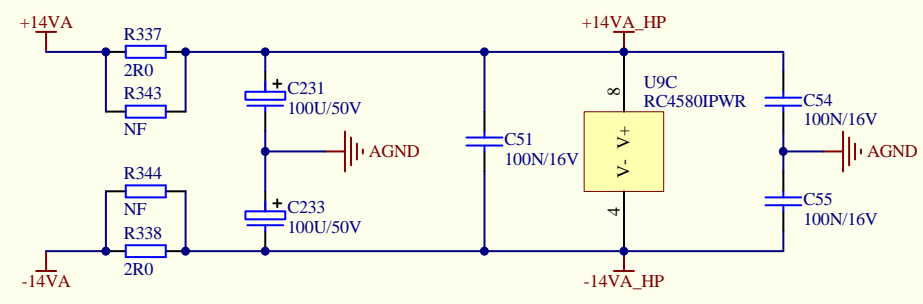
Main Mix +20dB
Ambient Mic -1.5dB

Nom: +1dBu

Nom: 0dBu

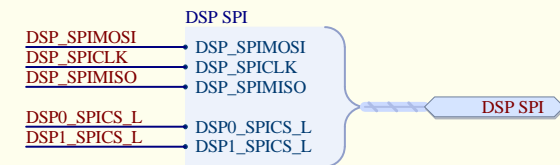
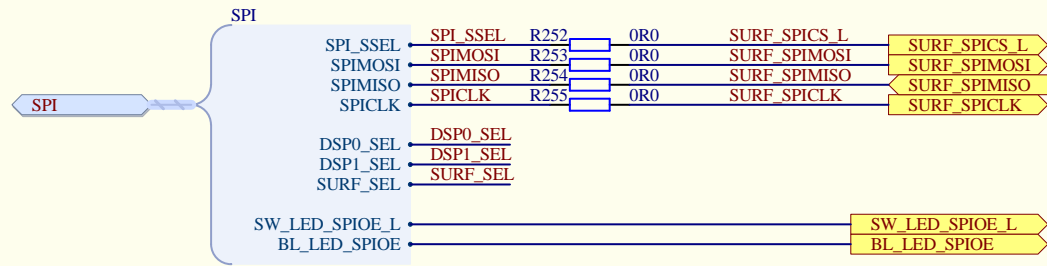
Nom: +1dBu

See DB2 Headphone board (AG8576) for layout.

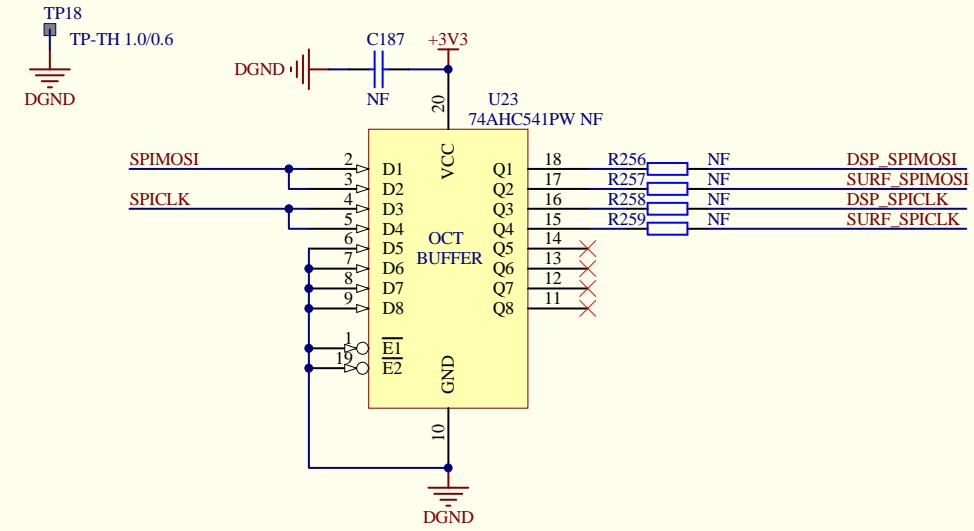


| ISSUE | BY | DATE | CHK BY |
|-------|----|----------|--------|
| A | AG | 28/02/12 | |
| B | AG | 12/11/12 | |
| 1 | AG | 09/01/13 | |

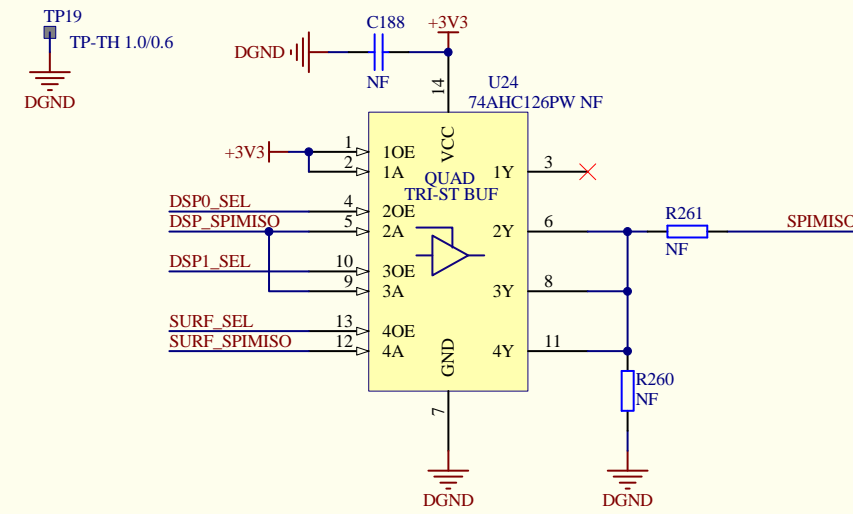
* All parts to be RoHS Compliant *



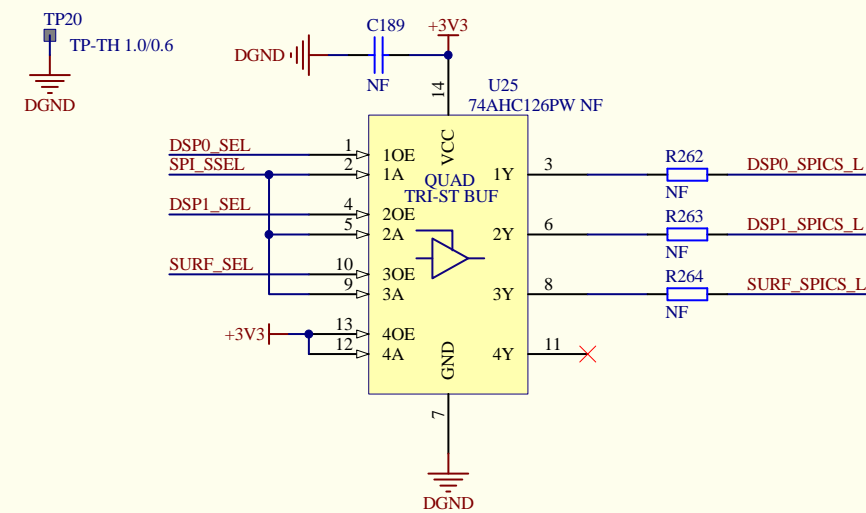
DGND TP close to digital inputs



DGND TP close to digital inputs



DGND TP close to digital inputs



Not Fitted (for DSP option only).

ALLEN&HEATH

Kernick Industrial Estate,
Penryn, Cornwall,
England. TR10 9LU

Tel: +44 (0)1326 372070
Fax: +44 (0)1326 370153

| ISSUE | BY | DATE | CHK BY |
|-------|----|----------|--------|
| A | AG | 28/02/12 | |
| B | AG | 12/11/12 | |
| 1 | AG | 09/01/13 | |

FILE: C8846_1_P9_SPI_Glue.SchDoc

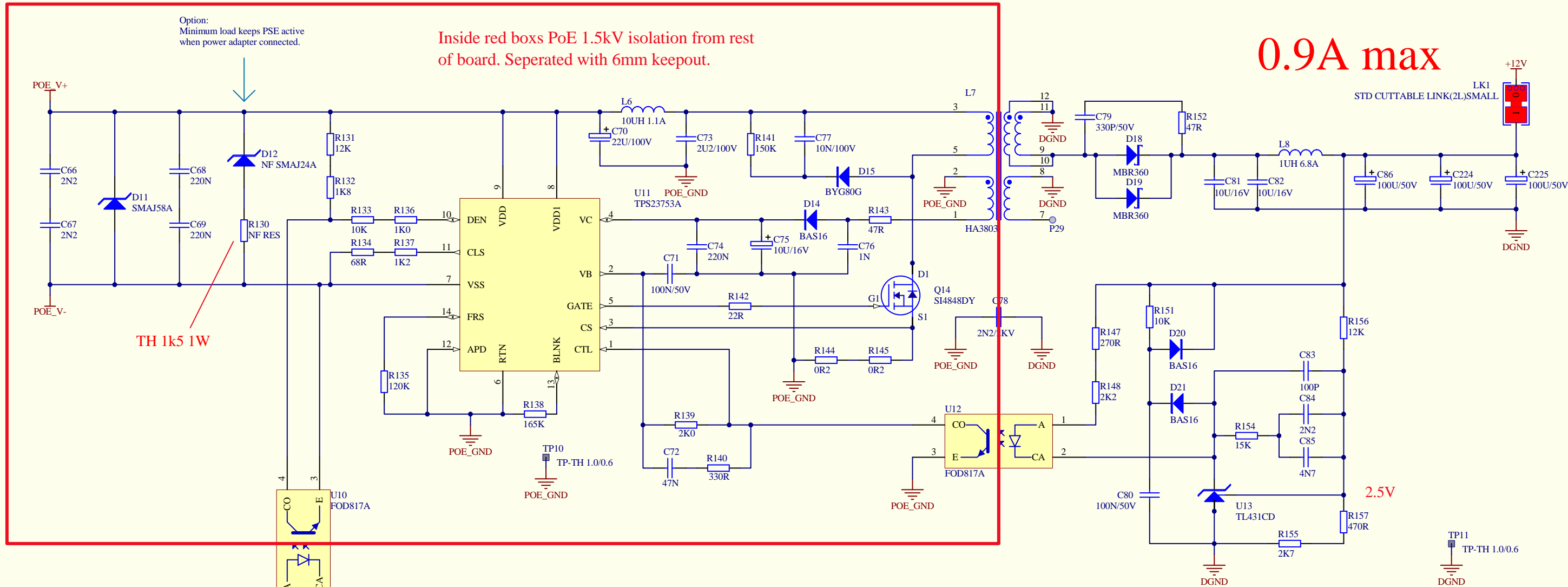
* All parts to be RoHS Compliant *

PRINTED: 1:06:25 PM 1/25/2013

TITLE: ME1 Main Board

PAGE: SPI Glue

DRG No: C8846 ISSUE: 1 SHEET: 9 OF 14



Option:
Minimum load keeps PSE active
when power adapter connected.

Inside red boxes PoE 1.5kV isolation from rest
of board. Separated with 6mm keepout.

0.9A max

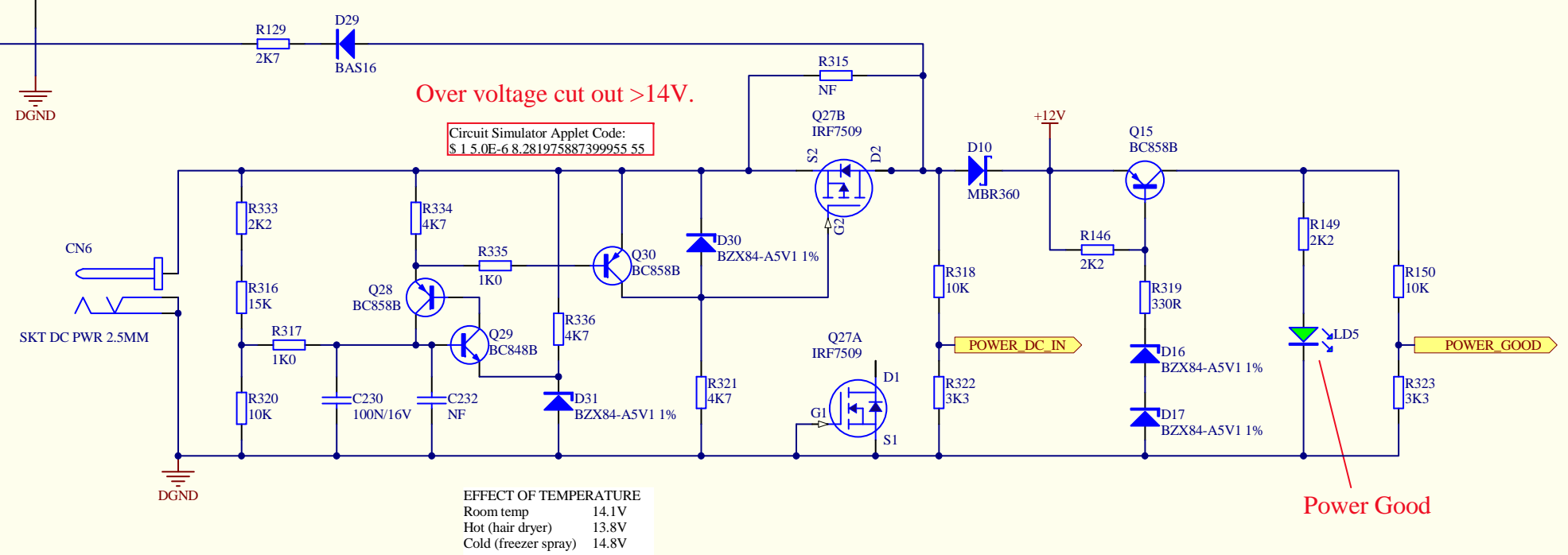
TH 1k5 1W

2.5V

Over voltage cut out >14V.

Circuit Simulator Applet Code:
\$ 1.5.0E-6 8.281975887399955 55

Connects to:
Xone 12V 1.25A
power adapter AM6905



EFFECT OF TEMPERATURE
Room temp 14.1V
Hot (hair dryer) 13.8V
Cold (freezer spray) 14.8V

Power Good

ALLEN & HEATH
Kernick Industrial Estate,
Penryn, Cornwall,
England. TR10 9LU
Tel: +44 (0)1326 372070
Fax: +44 (0)1326 370153

| ISSUE | BY | DATE | CHK BY |
|-------|----|----------|--------|
| A | AG | 28/02/12 | |
| B | AG | 12/11/12 | |
| 1 | AG | 09/01/13 | |

See TI TPS23753EVM-004 (SLVU245) for layout guidelines.

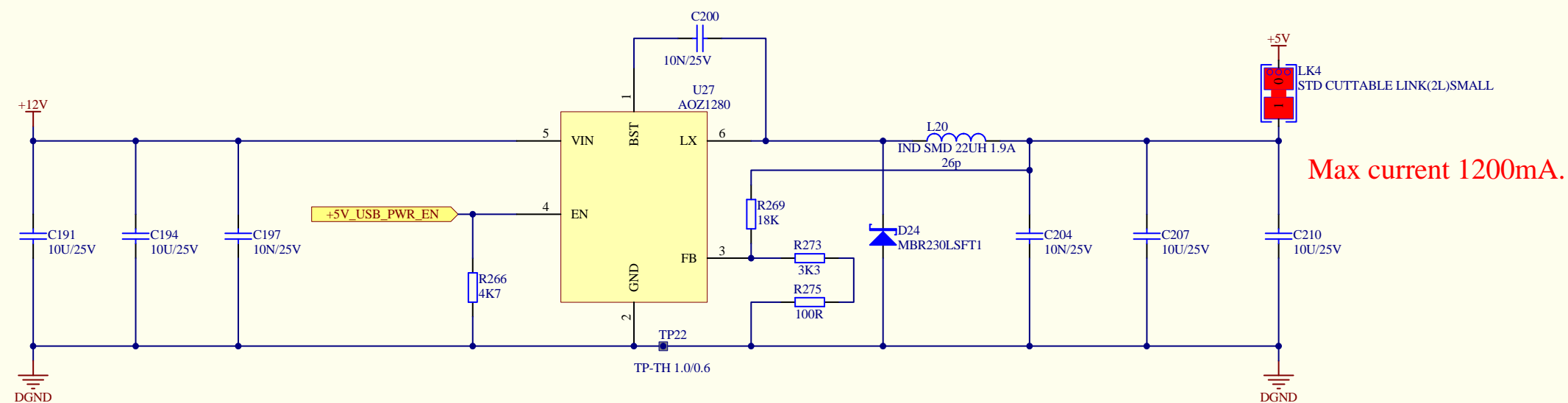
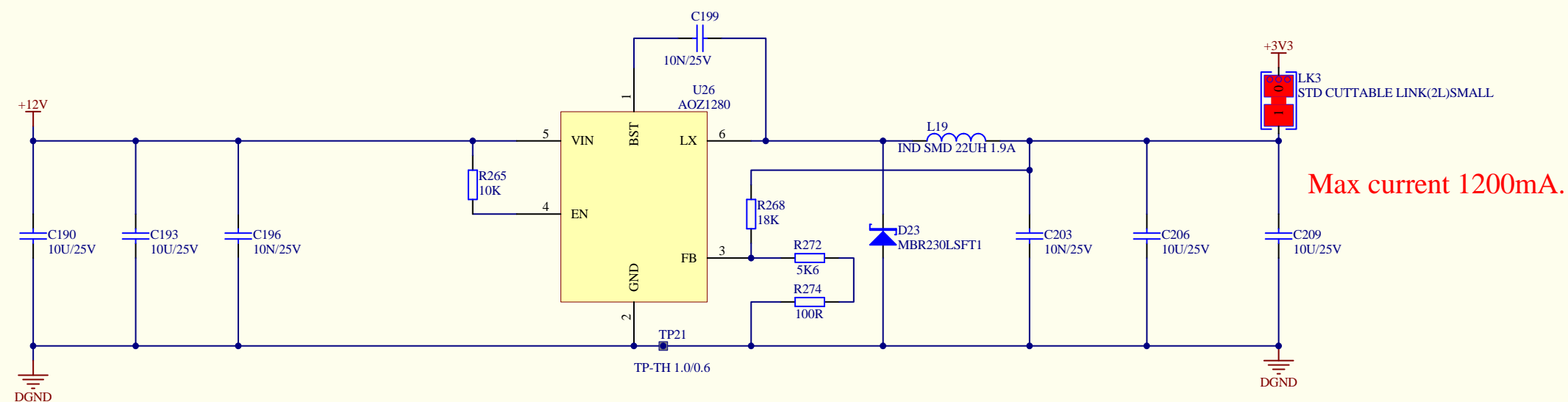
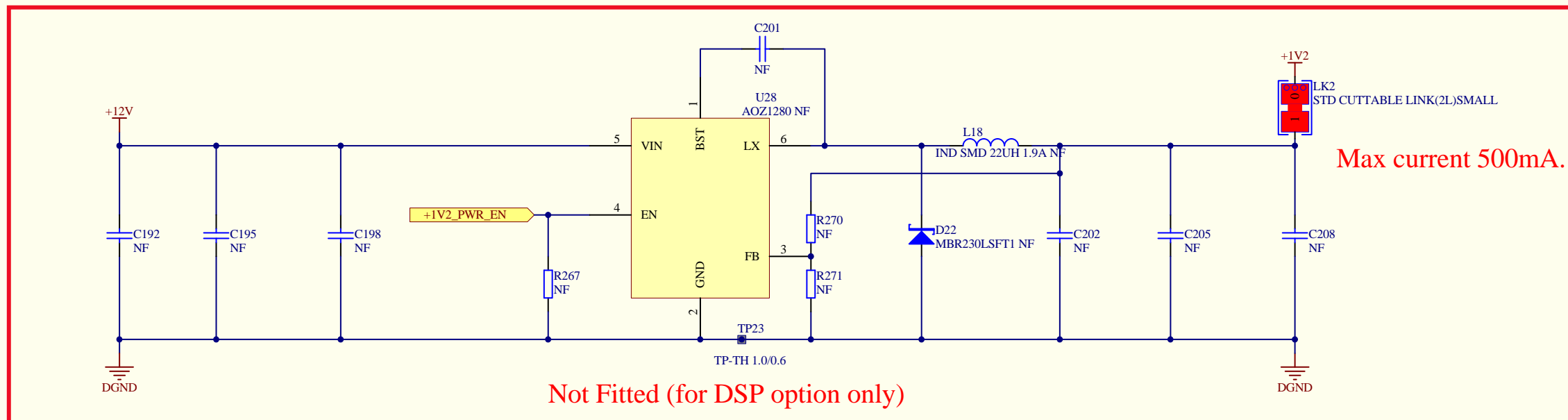
* All parts to be RoHS Compliant *

TITLE: ME1 Main Board
PAGE: POE

FILE: C8846_1_P10_POE.SchDoc

PRINTED: 1:06:25 PM 1/25/2013

DRG No: C8846 ISSUE: 1 SHEET: 10 of 14



ALLEN&HEATH

Kernick Industrial Estate,
Penryn, Cornwall,
England. TR10 9LU

Tel: +44 (0)1326 372070
Fax: +44 (0)1326 370153

| ISSUE | BY | DATE | CHK BY |
|-------|----|----------|--------|
| A | AG | 28/02/12 | |
| B | AG | 12/11/12 | |
| 1 | AG | 09/01/13 | |

See NCP3125 datasheet, page 20, for layout guidelines
AOZ1280 layout is critical. See Eval board.

* All parts to be RoHS Compliant *

TITLE: **ME1 Main Board**

PAGE: **Switching Regs**

FILE: C8846_1_P11_Switching_Regs.SchDoc

PRINTED: 1:06:25 PM 1/25/2013

DRG No: **C8846** ISSUE: **1** SHEET: **11 OF 14**

A

B

C

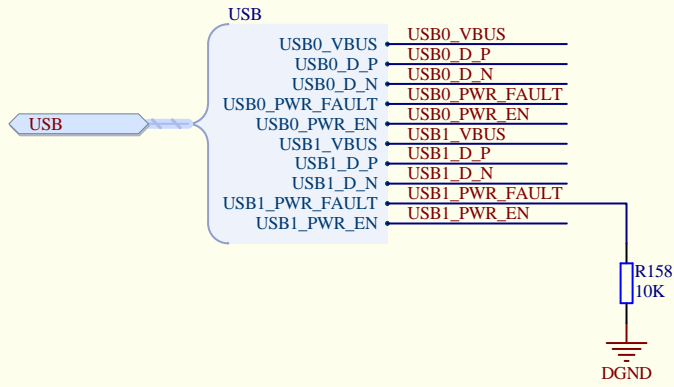
D

E

F

G

H



Follow Intel spec for USB tracking.

USB high speed diff pair Z controled tracking:

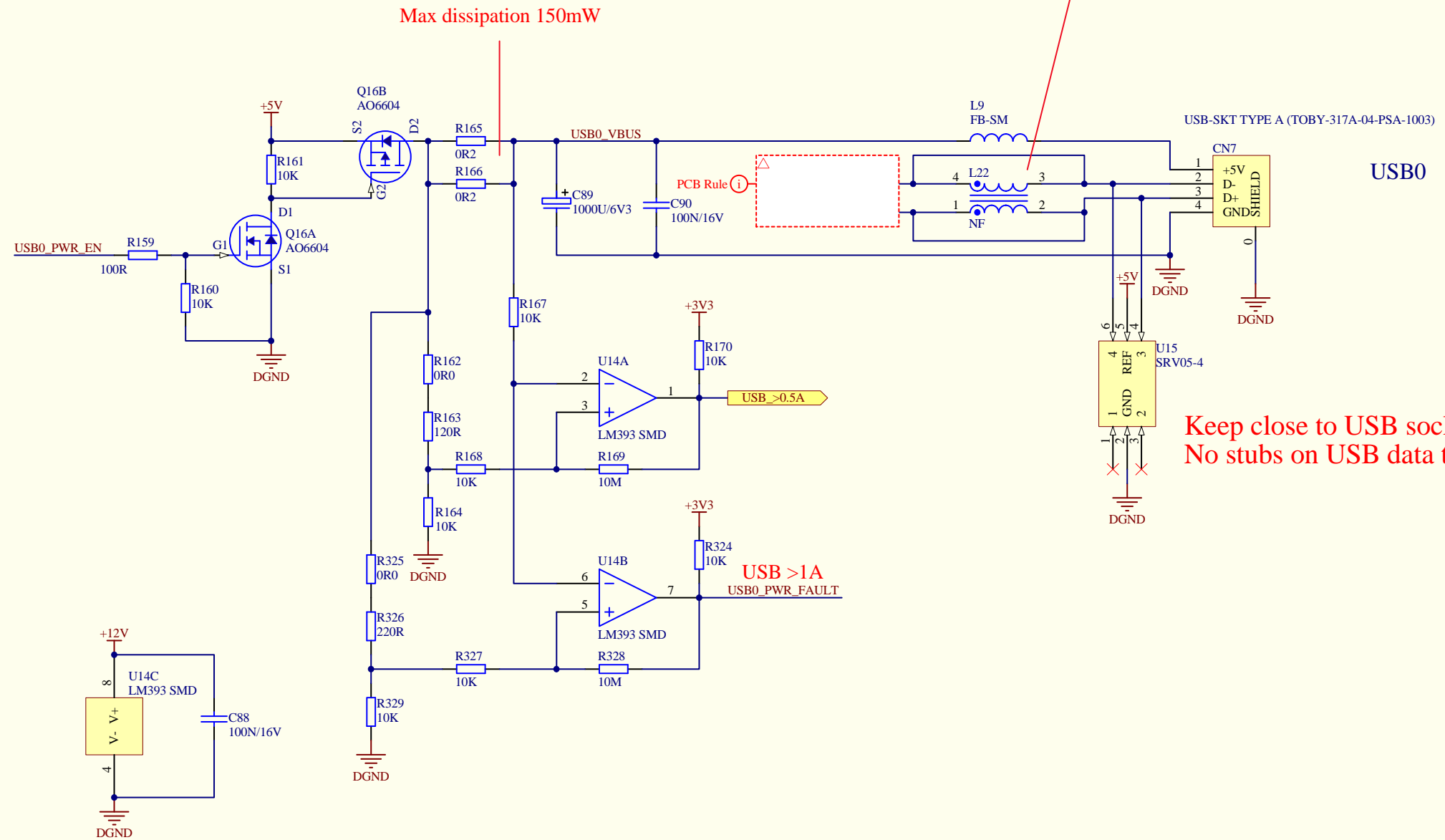
- 90 Ohms
- Minimum length
- Over solid DGND plain
- 4 layer board.
- No right-angles
- Keep away from clocks (>50mil)
- Keep away from signals (>20mil)

STD Eurotech 6 layer board.

PCB 6 layer, 1.6mm, FR4, Er=4.2

- Copper 0.5oz
- Core 0.11mm
- Copper 1oz
- Prepreg 0.11mm
- Copper 0.5oz
- Core 0.777mm
- Copper 0.5oz
- Prepreg 0.11mm
- Copper 1oz
- Core 0.11mm
- Copper 0.5oz

No Fit CM choke track through footprint. See AG.



Keep close to USB socket.
No stubs on USB data tracks.

ALLEN&HEATH

Kernick Industrial Estate,
Penryn, Cornwall,
England. TR10 9LU

Tel: +44 (0)1326 372070
Fax: +44 (0)1326 370153

| ISSUE | BY | DATE | CHK BY |
|-------|----|----------|--------|
| A | AG | 28/02/12 | |
| B | AG | 12/11/12 | |
| 1 | AG | 09/01/13 | |

FILE: C8846_1_P13_USB.SchDoc

* All parts to be RoHS Compliant *

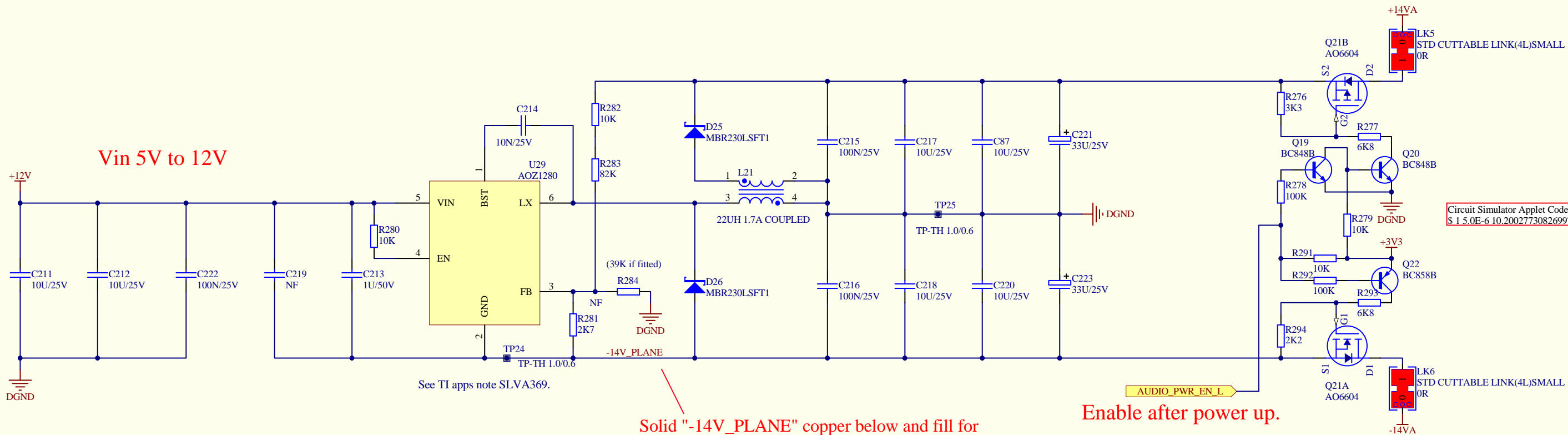
PRINTED: 1:06:25 PM 1/25/2013

TITLE: ME1 Main Board

PAGE: USB

DRG No: C8846 ISSUE: 1 SHEET: 13 of 14

Balanced loads only.
Max current 200mA.



Vin 5V to 12V

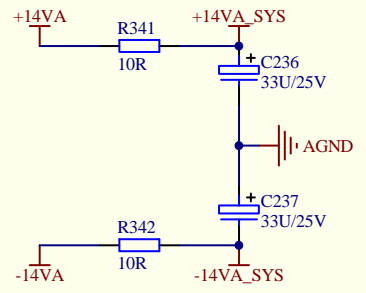
See TI apps note SLVA369.

Solid "-14V_PLANE" copper below and fill for this switching reg circuit (see layout guidelines).

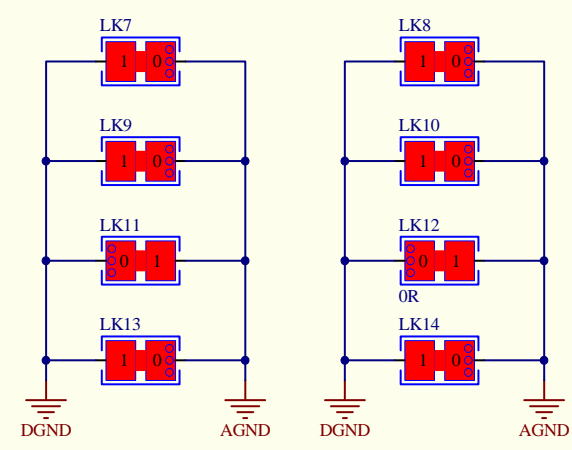
Enable after power up.

Circuit Simulator Applet Code:
\$ 1.5.0E-6 10.20027730826997.50

AOZ1280 layout is critical. See Eval board.



AGND-DGND stiched together along length of AGND_DGND border, on bottom side of board.



ALLEN & HEATH
Kernick Industrial Estate,
Penryn, Cornwall,
England. TR10 9LU
Tel: +44 (0)1326 372070
Fax: +44 (0)1326 370153

| ISSUE | BY | DATE | CHK BY |
|-------|----|----------|--------|
| A | AG | 28/02/12 | |
| B | AG | 12/11/12 | |
| 1 | AG | 09/01/13 | |

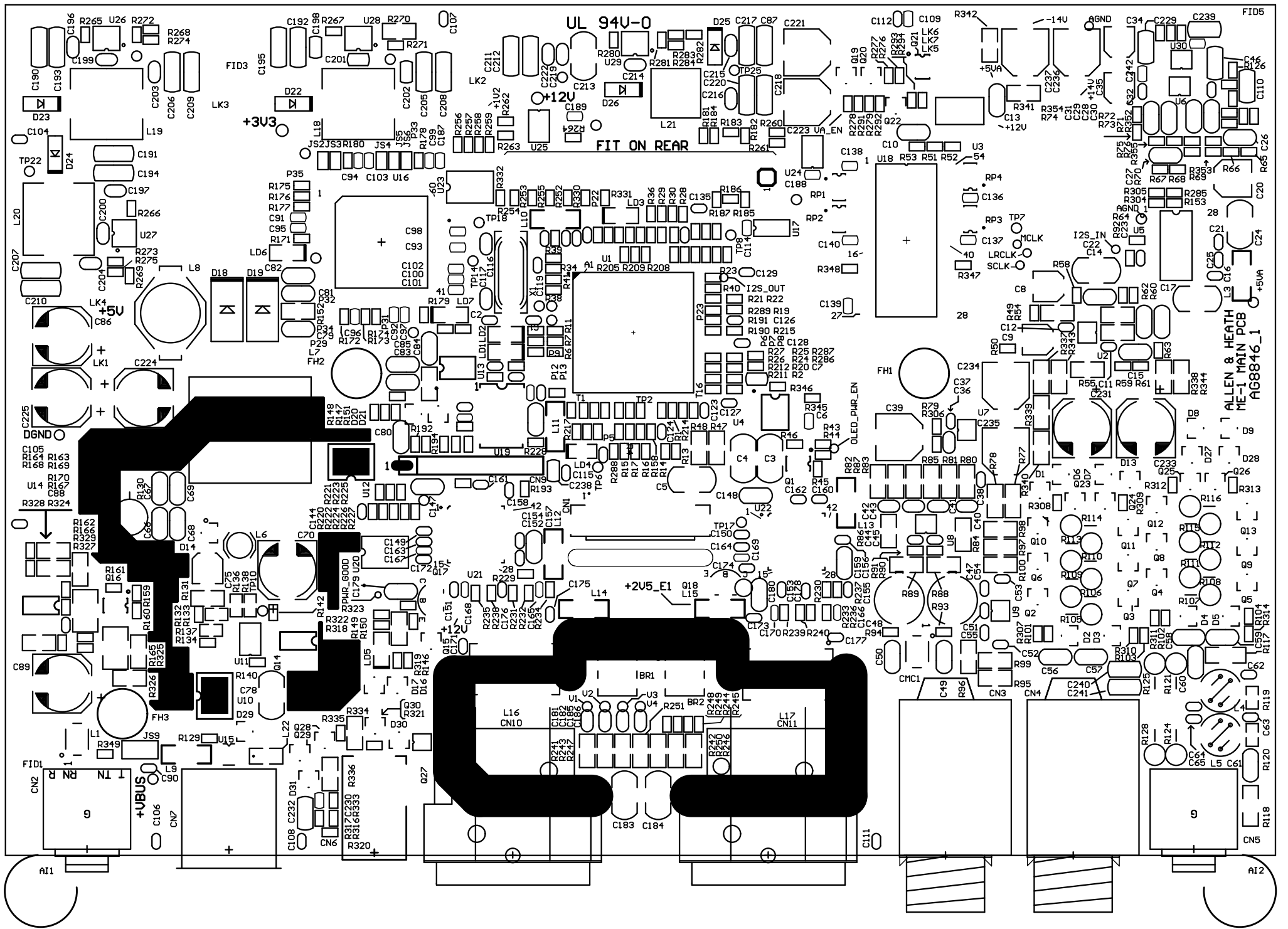
FILE: C8846_1_P14_Audio_Switching_Reg.SchDoc

* All parts to be RoHS Compliant *

PRINTED: 1:06:25 PM 1/25/2013

TITLE: ME1 Main Board
PAGE: Audio Switching Reg

DRG No: C8846 ISSUE: 1 SHEET: 14 of 14



FIT ON REAR

ALLEN & HEATH
ME-1 MAIN PCB
AG8846_1

IBR1

| Designato | Description | A&H PART |
|-----------|---|----------|
| BR1 | BRIDGE HD01 (AE8948) | AE8948 |
| BR2 | BRIDGE HD01 (AE8948) | AE8948 |
| C1 | CAPACITOR CERAMIC SMD0402 100N 16V (AF6674) | AF6674 |
| C2 | CAPACITOR CERAMIC SMD0402 100N 16V (AF6674) | AF6674 |
| C3 | CAPACITOR CERAMIC SMD1210 1U 50V (AF5885) | AF5885 |
| C4 | CAPACITOR CERAMIC SMD1210 1U 50V (AF5885) | AF5885 |
| C5 | CAPACITOR CERAMIC SMD1210 1U 50V (AF5885) | AF5885 |
| C7 | CAPACITOR CERAMIC SMD0603 22P (AF4829) | AF4829 |
| C8 | CAPACITOR ELECTROLYTIC SMD 10uF 16V (AF5235) | AF5235 |
| C9 | CAPACITOR ELECTROLYTIC SMD 10uF 16V (AF5235) | AF5235 |
| C10 | CAPACITOR CERAMIC SMD0805 10UF X7R 6.3V (AF8253) | AF8253 |
| C11 | CAPACITOR CERAMIC SMD0402 100N 16V (AF6674) | AF6674 |
| C12 | CAPACITOR CERAMIC SMD0402 100N 16V (AF6674) | AF6674 |
| C13 | CAPACITOR CERAMIC SMD0805 10UF X7R 6.3V (AF8253) | AF8253 |
| C14 | CAPACITOR COG SMD0805 470P (AF5823) | AF5823 |
| C15 | CAPACITOR COG SMD0805 470P (AF5823) | AF5823 |
| C16 | CAPACITOR CERAMIC SMD0402 100N 16V (AF6674) | AF6674 |
| C17 | CAPACITOR CERAMIC SMD1210 1U 50V (AF5885) | AF5885 |
| C18 | CAPACITOR COG SMD0805 2N7 50V (AF5820) | AF5820 |
| C19 | CAPACITOR COG SMD0805 2N7 50V (AF5820) | AF5820 |
| C20 | CAPACITOR ELECTROLYTIC SMD 47uF 6.3V (AF5886) | AF5886 |
| C21 | CAPACITOR CERAMIC SMD0402 100N 16V (AF6674) | AF6674 |
| C22 | CAPACITOR CERAMIC SMD1210 1U 50V (AF5885) | AF5885 |
| C23 | CAPACITOR CERAMIC SMD0402 100N 16V (AF6674) | AF6674 |
| C24 | CAPACITOR CERAMIC SMD1210 1U 50V (AF5885) | AF5885 |
| C25 | CAPACITOR CERAMIC SMD0402 100N 16V (AF6674) | AF6674 |
| C26 | CAPACITOR COG SMD0805 1N0 50V (CC0805JRNPO9BN102)(AF7750) | AF7750 |
| C27 | CAPACITOR COG SMD0805 1N0 50V (CC0805JRNPO9BN102)(AF7750) | AF7750 |
| C28 | CAPACITOR CERAMIC SMD0805 150P (AF3533) | AF3533 |
| C29 | CAPACITOR CERAMIC SMD0805 150P (AF3533) | AF3533 |
| C30 | CAPACITOR CERAMIC SMD0805 150P (AF3533) | AF3533 |
| C31 | CAPACITOR CERAMIC SMD0805 150P (AF3533) | AF3533 |
| C32 | CAPACITOR CERAMIC SMD0402 100N 16V (AF6674) | AF6674 |
| C33 | CAPACITOR CERAMIC SMD0402 100N 16V (AF6674) | AF6674 |
| C34 | CAPACITOR ELECTROLYTIC SMD 10uF 16V (AF5235) | AF5235 |
| C35 | CAPACITOR ELECTROLYTIC SMD 10uF 16V (AF5235) | AF5235 |
| C36 | CAPACITOR CERAMIC SMD0603 22P (AF4829) | AF4829 |
| C37 | CAPACITOR CERAMIC SMD0402 100N 16V (AF6674) | AF6674 |
| C38 | CAPACITOR CERAMIC SMD0402 100N 16V (AF6674) | AF6674 |
| C39 | CAPACITOR ELECTROLYTIC SMD 33uF 25V (AF3979) | AF3979 |
| C40 | CAPACITOR CERAMIC SMD0603 22P (AF4829) | AF4829 |
| C41 | CAPACITOR CERAMIC SMD0603 22P (AF4829) | AF4829 |
| C42 | CAPACITOR CERAMIC SMD0603 22P (AF4829) | AF4829 |
| C43 | CAPACITOR CERAMIC SMD0603 22P (AF4829) | AF4829 |
| C44 | CAPACITOR CERAMIC SMD0402 100N 16V (AF6674) | AF6674 |
| C45 | CAPACITOR CERAMIC SMD0402 100N 16V (AF6674) | AF6674 |
| C46 | CAPACITOR CERAMIC SMD0805 150P (AF3533) | AF3533 |
| C47 | CAPACITOR ELECTROLYTIC 100uF 25V (AF0221) | AF0221 |
| C48 | CAPACITOR ELECTROLYTIC 100uF 25V (AF0221) | AF0221 |

| | | |
|------|---|--------|
| C51 | CAPACITOR CERAMIC SMD0402 100N 16V (AF6674) | AF6674 |
| C52 | CAPACITOR CERAMIC SMD0402 47P 50v 5% (AF8195) | AF8195 |
| C53 | CAPACITOR CERAMIC SMD0402 47P 50v 5% (AF8195) | AF8195 |
| C54 | CAPACITOR CERAMIC SMD0402 100N 16V (AF6674) | AF6674 |
| C55 | CAPACITOR CERAMIC SMD0402 100N 16V (AF6674) | AF6674 |
| C56 | CAPACITOR CERAMIC SMD0805 10UF X7R 6.3V (AF8253) | AF8253 |
| C57 | CAPACITOR CERAMIC SMD0805 10UF X7R 6.3V (AF8253) | AF8253 |
| C58 | CAPACITOR CERAMIC SMD0805 10UF X7R 6.3V (AF8253) | AF8253 |
| C59 | CAPACITOR CERAMIC SMD0805 10UF X7R 6.3V (AF8253) | AF8253 |
| C60 | CAPACITOR CERAMIC SMD0805 10N 50V (AF2849) | AF2849 |
| C61 | CAPACITOR CERAMIC SMD0805 10N 50V (AF2849) | AF2849 |
| C62 | CAPACITOR CERAMIC SMD0402 47P 50v 5% (AF8195) | AF8195 |
| C63 | CAPACITOR CERAMIC SMD0402 47P 50v 5% (AF8195) | AF8195 |
| C64 | CAPACITOR CERAMIC SMD0402 47P 50v 5% (AF8195) | AF8195 |
| C65 | CAPACITOR CERAMIC SMD0402 47P 50v 5% (AF8195) | AF8195 |
| C66 | CAPACITOR CERAMIC SMD0805 2N2 (AF3548) | AF3548 |
| C67 | CAPACITOR CERAMIC SMD0805 2N2 (AF3548) | AF3548 |
| C68 | CAPACITOR CERAMIC SMD0805 220N 50V (AF4701) | AF4701 |
| C69 | CAPACITOR CERAMIC SMD0805 220N 50V (AF4701) | AF4701 |
| C70 | CAPACITOR ELECTROLYTIC 22uF 100V (AF8943) | AF8943 |
| C71 | CAPACITOR CERAMIC SMD0805 100N 50V (AF2851) | AF2851 |
| C72 | CAPACITOR CERAMIC SMD0805 47N (AF4889) | AF4889 |
| C73 | CAPACITOR CERAMIC SMD1210 2.2U 100V (AF8940) | AF8940 |
| C74 | CAPACITOR CERAMIC SMD0805 220N 50V (AF4701) | AF4701 |
| C75 | CAPACITOR ELECTROLYTIC SMD 10uF 16V (AF5235) | AF5235 |
| C76 | CAPACITOR CERAMIC SMD0805 1N0 (AF5040) | AF5040 |
| C77 | CAPACITOR CERAMIC SMD0603 10N 100V X7R (AF8941) | AF8941 |
| C78 | CAPACITOR SMD 1210 2N2 2kV (AF8939) | AF8939 |
| C79 | CAPACITOR CERAMIC SMD0805 330P 50V (AF4696) | AF4696 |
| C80 | CAPACITOR CERAMIC SMD0805 100N 50V (AF2851) | AF2851 |
| C81 | CAPACITOR CERAMIC SMD0805 10UF X5R 16V 10% (AF8557) | AF8557 |
| C82 | CAPACITOR CERAMIC SMD0805 10UF X5R 16V 10% (AF8557) | AF8557 |
| C83 | CAPACITOR CERAMIC SMD0805 100P (AF2847) | AF2847 |
| C84 | CAPACITOR CERAMIC SMD0805 2N2 (AF3548) | AF3548 |
| C85 | CAPACITOR CERAMIC SMD0805 4N7 (AF5415) | AF5415 |
| C86 | CAPACITOR ELECTROLYTIC SMD 100uF 50V (AF5734) | AF5734 |
| C87 | CAPACITOR CERAMIC SMD1206 10UF X5R 25V 10% (AF8942) | AF8942 |
| C88 | CAPACITOR CERAMIC SMD0402 100N 16V (AF6674) | AF6674 |
| C89 | CAPACITOR ELECTROLYTIC SMD 1000uF 6.3V (AF5744) | AF5744 |
| C90 | CAPACITOR CERAMIC SMD0402 100N 16V (AF6674) | AF6674 |
| C104 | CAPACITOR CERAMIC SMD0402 100N 16V (AF6674) | AF6674 |
| C105 | CAPACITOR CERAMIC SMD0402 100N 16V (AF6674) | AF6674 |
| C106 | CAPACITOR CERAMIC SMD0402 100N 16V (AF6674) | AF6674 |
| C107 | CAPACITOR CERAMIC SMD0402 100N 16V (AF6674) | AF6674 |
| C108 | CAPACITOR CERAMIC SMD0402 100N 16V (AF6674) | AF6674 |
| C109 | CAPACITOR CERAMIC SMD0402 100N 16V (AF6674) | AF6674 |
| C110 | CAPACITOR CERAMIC SMD0805 680P (AF3553) | AF3553 |
| C111 | CAPACITOR CERAMIC SMD0402 100N 16V (AF6674) | AF6674 |
| C112 | CAPACITOR CERAMIC SMD0402 100N 16V (AF6674) | AF6674 |
| C115 | CAPACITOR CERAMIC SMD0402 100N 16V (AF6674) | AF6674 |

| | | |
|------|--|--------|
| C116 | CAPACITOR CERAMIC SMD0603 22P (AF4829) | AF4829 |
| C117 | CAPACITOR CERAMIC SMD0603 22P (AF4829) | AF4829 |
| C119 | CAPACITOR CERAMIC SMD0402 100N 16V (AF6674) | AF6674 |
| C120 | CAPACITOR CERAMIC SMD0402 100N 16V (AF6674) | AF6674 |
| C121 | CAPACITOR CERAMIC SMD0402 100N 16V (AF6674) | AF6674 |
| C122 | CAPACITOR CERAMIC SMD0402 100N 16V (AF6674) | AF6674 |
| C123 | CAPACITOR CERAMIC SMD0402 100N 16V (AF6674) | AF6674 |
| C124 | CAPACITOR CERAMIC SMD0402 100N 16V (AF6674) | AF6674 |
| C125 | CAPACITOR CERAMIC SMD0402 100N 16V (AF6674) | AF6674 |
| C126 | CAPACITOR CERAMIC SMD0402 100N 16V (AF6674) | AF6674 |
| C127 | CAPACITOR CERAMIC SMD0402 100N 16V (AF6674) | AF6674 |
| C128 | CAPACITOR CERAMIC SMD0402 100N 16V (AF6674) | AF6674 |
| C129 | CAPACITOR CERAMIC SMD0402 100N 16V (AF6674) | AF6674 |
| C130 | CAPACITOR CERAMIC SMD0402 100N 16V (AF6674) | AF6674 |
| C131 | CAPACITOR CERAMIC SMD0402 100N 16V (AF6674) | AF6674 |
| C132 | CAPACITOR CERAMIC SMD0402 100N 16V (AF6674) | AF6674 |
| C134 | CAPACITOR CERAMIC SMD0402 100N 16V (AF6674) | AF6674 |
| C135 | CAPACITOR CERAMIC SMD0402 100N 16V (AF6674) | AF6674 |
| C141 | CAPACITOR CERAMIC SMD0402 100N 16V (AF6674) | AF6674 |
| C142 | CAPACITOR CERAMIC SMD0402 1N X7R 16V (AF8251) | AF8251 |
| C143 | CAPACITOR CERAMIC SMD0402 100N 16V (AF6674) | AF6674 |
| C144 | CAPACITOR CERAMIC SMD0402 100N 16V (AF6674) | AF6674 |
| C145 | CAPACITOR CERAMIC SMD0402 1N X7R 16V (AF8251) | AF8251 |
| C146 | CAPACITOR CERAMIC SMD0805 10UF X7R 6.3V (AF8253) | AF8253 |
| C147 | CAPACITOR CERAMIC SMD0805 10UF X7R 6.3V (AF8253) | AF8253 |
| C148 | CAPACITOR CERAMIC SMD0805 10UF X7R 6.3V (AF8253) | AF8253 |
| C149 | CAPACITOR CERAMIC SMD0402 100N 16V (AF6674) | AF6674 |
| C150 | CAPACITOR CERAMIC SMD0402 100N 16V (AF6674) | AF6674 |
| C151 | CAPACITOR CERAMIC SMD0402 100N 16V (AF6674) | AF6674 |
| C152 | CAPACITOR CERAMIC SMD0402 100N 16V (AF6674) | AF6674 |
| C153 | CAPACITOR CERAMIC SMD0402 100N 16V (AF6674) | AF6674 |
| C154 | CAPACITOR CERAMIC SMD0402 100N 16V (AF6674) | AF6674 |
| C155 | CAPACITOR CERAMIC SMD0402 100N 16V (AF6674) | AF6674 |
| C156 | CAPACITOR CERAMIC SMD0402 100N 16V (AF6674) | AF6674 |
| C157 | CAPACITOR CERAMIC SMD0805 10UF X7R 6.3V (AF8253) | AF8253 |
| C158 | CAPACITOR CERAMIC SMD0402 100N 16V (AF6674) | AF6674 |
| C159 | CAPACITOR CERAMIC SMD0805 10UF X7R 6.3V (AF8253) | AF8253 |
| C160 | CAPACITOR CERAMIC SMD0402 100N 16V (AF6674) | AF6674 |
| C161 | CAPACITOR CERAMIC SMD0402 100N 16V (AF6674) | AF6674 |
| C162 | CAPACITOR CERAMIC SMD0402 100N 16V (AF6674) | AF6674 |
| C163 | CAPACITOR CERAMIC SMD0402 100N 16V (AF6674) | AF6674 |
| C164 | CAPACITOR CERAMIC SMD0402 100N 16V (AF6674) | AF6674 |
| C165 | CAPACITOR CERAMIC SMD0402 10N X7R 16V (AF8252) | AF8252 |
| C166 | CAPACITOR CERAMIC SMD0402 10N X7R 16V (AF8252) | AF8252 |
| C167 | CAPACITOR CERAMIC SMD0402 1N X7R 16V (AF8251) | AF8251 |
| C168 | CAPACITOR CERAMIC SMD0402 10N X7R 16V (AF8252) | AF8252 |
| C169 | CAPACITOR CERAMIC SMD0402 1N X7R 16V (AF8251) | AF8251 |
| C170 | CAPACITOR CERAMIC SMD0402 10N X7R 16V (AF8252) | AF8252 |
| C171 | CAPACITOR CERAMIC SMD0402 100N 16V (AF6674) | AF6674 |
| C172 | CAPACITOR CERAMIC SMD0402 100N 16V (AF6674) | AF6674 |

| | | |
|------|---|--------|
| C173 | CAPACITOR CERAMIC SMD0402 100N 16V (AF6674) | AF6674 |
| C174 | CAPACITOR CERAMIC SMD0402 100N 16V (AF6674) | AF6674 |
| C175 | CAPACITOR CERAMIC SMD0402 100N 16V (AF6674) | AF6674 |
| C176 | CAPACITOR CERAMIC SMD0402 100N 16V (AF6674) | AF6674 |
| C177 | CAPACITOR CERAMIC SMD0402 100N 16V (AF6674) | AF6674 |
| C178 | CAPACITOR CERAMIC SMD0402 100N 16V (AF6674) | AF6674 |
| C179 | CAPACITOR CERAMIC SMD0805 10UF X7R 6.3V (AF8253) | AF8253 |
| C180 | CAPACITOR CERAMIC SMD0805 10UF X7R 6.3V (AF8253) | AF8253 |
| C181 | CAPACITOR CERAMIC SMD0603 10N 100V X7R (AF8941) | AF8941 |
| C182 | CAPACITOR CERAMIC SMD0603 10N 100V X7R (AF8941) | AF8941 |
| C183 | CAPACITOR SMD 1210 2N2 2kV (AF8939) | AF8939 |
| C184 | CAPACITOR SMD 1210 2N2 2kV (AF8939) | AF8939 |
| C185 | CAPACITOR CERAMIC SMD0603 10N 100V X7R (AF8941) | AF8941 |
| C186 | CAPACITOR CERAMIC SMD0603 10N 100V X7R (AF8941) | AF8941 |
| C190 | CAPACITOR CERAMIC SMD1206 10UF X5R 25V 10% (AF8942) | AF8942 |
| C191 | CAPACITOR CERAMIC SMD1206 10UF X5R 25V 10% (AF8942) | AF8942 |
| C193 | CAPACITOR CERAMIC SMD1206 10UF X5R 25V 10% (AF8942) | AF8942 |
| C194 | CAPACITOR CERAMIC SMD1206 10UF X5R 25V 10% (AF8942) | AF8942 |
| C196 | CAPACITOR CERAMIC SMD0603 10N 25V X7R (AF7312) | AF7312 |
| C197 | CAPACITOR CERAMIC SMD0603 10N 25V X7R (AF7312) | AF7312 |
| C199 | CAPACITOR CERAMIC SMD0603 10N 25V X7R (AF7312) | AF7312 |
| C200 | CAPACITOR CERAMIC SMD0603 10N 25V X7R (AF7312) | AF7312 |
| C203 | CAPACITOR CERAMIC SMD0603 10N 25V X7R (AF7312) | AF7312 |
| C204 | CAPACITOR CERAMIC SMD0603 10N 25V X7R (AF7312) | AF7312 |
| C206 | CAPACITOR CERAMIC SMD1206 10UF X5R 25V 10% (AF8942) | AF8942 |
| C207 | CAPACITOR CERAMIC SMD1206 10UF X5R 25V 10% (AF8942) | AF8942 |
| C209 | CAPACITOR CERAMIC SMD1206 10UF X5R 25V 10% (AF8942) | AF8942 |
| C210 | CAPACITOR CERAMIC SMD1206 10UF X5R 25V 10% (AF8942) | AF8942 |
| C211 | CAPACITOR CERAMIC SMD1206 10UF X5R 25V 10% (AF8942) | AF8942 |
| C212 | CAPACITOR CERAMIC SMD1206 10UF X5R 25V 10% (AF8942) | AF8942 |
| C213 | CAPACITOR CERAMIC SMD1210 1U 50V (AF5885) | AF5885 |
| C214 | CAPACITOR CERAMIC SMD0603 10N 25V X7R (AF7312) | AF7312 |
| C215 | CAPACITOR CERAMIC SMD0603 100N 25V X7R (AF5733) | AF5733 |
| C216 | CAPACITOR CERAMIC SMD0603 100N 25V X7R (AF5733) | AF5733 |
| C217 | CAPACITOR CERAMIC SMD1206 10UF X5R 25V 10% (AF8942) | AF8942 |
| C218 | CAPACITOR CERAMIC SMD1206 10UF X5R 25V 10% (AF8942) | AF8942 |
| C220 | CAPACITOR CERAMIC SMD1206 10UF X5R 25V 10% (AF8942) | AF8942 |
| C221 | CAPACITOR ELECTROLYTIC SMD 33uF 25V (AF3979) | AF3979 |
| C222 | CAPACITOR CERAMIC SMD0603 100N 25V X7R (AF5733) | AF5733 |
| C223 | CAPACITOR ELECTROLYTIC SMD 33uF 25V (AF3979) | AF3979 |
| C224 | CAPACITOR ELECTROLYTIC SMD 100uF 50V (AF5734) | AF5734 |
| C225 | CAPACITOR ELECTROLYTIC SMD 100uF 50V (AF5734) | AF5734 |
| C229 | CAPACITOR CERAMIC SMD0805 150P (AF3533) | AF3533 |
| C230 | CAPACITOR CERAMIC SMD0402 100N 16V (AF6674) | AF6674 |
| C231 | CAPACITOR ELECTROLYTIC SMD 100uF 50V (AF5734) | AF5734 |
| C233 | CAPACITOR ELECTROLYTIC SMD 100uF 50V (AF5734) | AF5734 |
| C234 | CAPACITOR ELECTROLYTIC SMD 33uF 25V (AF3979) | AF3979 |
| C235 | CAPACITOR ELECTROLYTIC SMD 33uF 25V (AF3979) | AF3979 |
| C236 | CAPACITOR ELECTROLYTIC SMD 33uF 25V (AF3979) | AF3979 |
| C237 | CAPACITOR ELECTROLYTIC SMD 33uF 25V (AF3979) | AF3979 |

| | | |
|------|--|--------|
| C238 | CAPACITOR CERAMIC SMD0603 22P (AF4829) | AF4829 |
| C239 | CAPACITOR CERAMIC SMD0805 680P (AF3553) | AF3553 |
| C242 | CAPACITOR CERAMIC SMD0402 100N 16V (AF6674) | AF6674 |
| C243 | CAPACITOR CERAMIC SMD0402 100N 16V (AF6674) | AF6674 |
| CMC1 | INDUCTOR TDK ACT45B-510-2P Common Mode 0.2A (AM6624) | AM6624 |
| CN1 | FPC SMD ZIF 30BC 0.5MM (MOLEX 52893-3095)(AL7478) | AL7478 |
| CN2 | JACK SOCKET SWITCHED 5 PIN 3.5MM(TREMIVER) (AL5323) | AL5323 |
| CN3 | JACK SOCKET HORIZONTAL 6 PIN MET HEADPHONE (AL5903) | AL5903 |
| CN4 | JACK SOCKET HORIZONTAL 6 PIN MET HEADPHONE (AL5903) | AL5903 |
| CN5 | JACK SOCKET SWITCHED 5 PIN 3.5MM(TREMIVER) (AL5323) | AL5323 |
| CN6 | DC PWR SKT 2.0MM PIN (DC-003B(JyeTai#DJ-0702-025))(AL6849) | AL6849 |
| CN7 | USB_SKT TYPE A FEMALE TOBY-317A-04-PSA-1003 (AL6629) | AL6629 |
| CN8 | Connector IDC,Molex Type 0.1" Pitch 15x2 pins (AL3583) | AL3583 |
| CN9 | Connector IDC,Molex Type 0.1" Pitch SIL 8 pins (AL0045) | AL0045 |
| CN10 | RJ45_XLR NEUTRIC NE8FBH (AL5821) | AL5821 |
| CN11 | RJ45_XLR NEUTRIC NE8FBH (AL5821) | AL5821 |
| D1 | DIODE SMD BAS16 SIGNAL (AE3352) | AE3352 |
| D2 | DIODE SMD BAS16 SIGNAL (AE3352) | AE3352 |
| D3 | DIODE SMD BAS16 SIGNAL (AE3352) | AE3352 |
| D4 | DIODE SMD BAS16 SIGNAL (AE3352) | AE3352 |
| D5 | DIODE SMD BAS16 SIGNAL (AE3352) | AE3352 |
| D6 | DIODE SMD BAS16 SIGNAL (AE3352) | AE3352 |
| D7 | DIODE SMD BAS16 SIGNAL (AE3352) | AE3352 |
| D8 | DIODE SMD BAS16 SIGNAL (AE3352) | AE3352 |
| D9 | DIODE SMD BAS16 SIGNAL (AE3352) | AE3352 |
| D10 | DIODE SCHOTTKY SMD ONSEMI MBRS360 3A 60V (AE8938) | AE8938 |
| D11 | DIODE TVS SMAJ58A SMD (AE8936) | AE8936 |
| D13 | DIODE SMD BAS16 SIGNAL (AE3352) | AE3352 |
| D14 | DIODE SIGNAL SMD BAS16 (AE3352) | AE3352 |
| D15 | DIODE FAST AVALANCHE SMD BYG80G 400V 2A (AE5412) | AE5412 |
| D16 | DIODE VOLTAGE REG SMD BZX84-A5V1 1% (AE6439) | AE6439 |
| D17 | DIODE VOLTAGE REG SMD BZX84-A5V1 1% (AE6439) | AE6439 |
| D18 | DIODE SCHOTTKY SMD ONSEMI MBRS360 3A 60V (AE8938) | AE8938 |
| D19 | DIODE SCHOTTKY SMD ONSEMI MBRS360 3A 60V (AE8938) | AE8938 |
| D20 | DIODE SIGNAL SMD BAS16 (AE3352) | AE3352 |
| D21 | DIODE SIGNAL SMD BAS16 (AE3352) | AE3352 |
| D23 | DIODE SCHOTTKY SMD ONSEMI MBR230LSFT1 2A 30V (AE8836) | AE8836 |
| D24 | DIODE SCHOTTKY SMD ONSEMI MBR230LSFT1 2A 30V (AE8836) | AE8836 |
| D25 | DIODE SCHOTTKY SMD ONSEMI MBR230LSFT1 2A 30V (AE8836) | AE8836 |
| D26 | DIODE SCHOTTKY SMD ONSEMI MBR230LSFT1 2A 30V (AE8836) | AE8836 |
| D27 | DIODE SMD BAS16 SIGNAL (AE3352) | AE3352 |
| D28 | DIODE SMD BAS16 SIGNAL (AE3352) | AE3352 |
| D29 | DIODE SIGNAL SMD BAS16 (AE3352) | AE3352 |
| D30 | DIODE VOLTAGE REG SMD BZX84-A5V1 1% (AE6439) | AE6439 |
| D31 | DIODE VOLTAGE REG SMD BZX84-A5V1 1% (AE6439) | AE6439 |
| L1 | INDUCTOR TDK ACT45B-510-2P Common Mode 0.2A (AM6624) | AM6624 |
| L3 | FERRITE BEAD SMD1206 (AF2996) | AF2996 |
| L4 | INDUCTOR EMI SUPPRESSOR Radial (WBCXX/R) (AM5156) | AM5156 |
| L5 | INDUCTOR EMI SUPPRESSOR Radial (WBCXX/R) (AM5156) | AM5156 |
| L6 | INDUCTOR SMD 10UH 1.1A COILCRAFT DO1608C-103ML (AM8945) | AM8945 |

| | | |
|-----|---|--------|
| L7 | XFRMR FLYBACK SMD-HA3803 (COILCRAFT) 12V 0.8A (AM8947) | AM8947 |
| L8 | INDUCTOR SMD 1UH 6.8A COILCRAFT DO3316H-102ML (AM8944) | AM8944 |
| L9 | FERRITE BEAD SMD1206 (AF2996) | AF2996 |
| L10 | FERRITE BEAD SMD1206 (AF2996) | AF2996 |
| L11 | FERRITE BEAD SMD1206 (AF2996) | AF2996 |
| L12 | FERRITE BEAD SMD1206 (AF2996) | AF2996 |
| L13 | FERRITE BEAD SMD1206 (AF2996) | AF2996 |
| L14 | FERRITE BEAD SMD1206 (AF2996) | AF2996 |
| L15 | FERRITE BEAD SMD1206 (AF2996) | AF2996 |
| L16 | XFRMR WURTH PoE 10/100 749013011(AM9068) | AM9068 |
| L17 | XFRMR WURTH PoE 10/100 749013011(AM9068) | AM9068 |
| L19 | INDUCTOR COILCRAFT MSS1038-223ML 22UH (AM8646) | AM8646 |
| L20 | INDUCTOR COILCRAFT MSS1038-223ML 22UH (AM8646) | AM8646 |
| L21 | INDUCTOR SMD 22UH 1.7A COUPLED COILCRAFT LPD6235-223 (AM8946) | AM8946 |
| LD4 | LED SMD SUN YELLOW 1106 (AE5948) | AE5948 |
| LD5 | LED SMD SUN GREEN 1106 (ZVG60W)(AE8371) | AE8371 |
| Q1 | TRANSISTOR MOSFET DUAL AO6604 (AE8413) | AE8413 |
| Q2 | TRANSISTOR NPN BC848B (AE3332) | AE3332 |
| Q3 | TRANSISTOR PNP BC858B (AE3042) | AE3042 |
| Q4 | TRANSISTOR NPN BC848B (AE3332) | AE3332 |
| Q5 | TRANSISTOR PNP BC858B (AE3042) | AE3042 |
| Q6 | TRANSISTOR NPN BC848B (AE3332) | AE3332 |
| Q7 | TRANSISTOR PNP BC858B (AE3042) | AE3042 |
| Q8 | TRANSISTOR NPN BC848B (AE3332) | AE3332 |
| Q9 | TRANSISTOR PNP BC858B (AE3042) | AE3042 |
| Q10 | TRANSISTOR NPN BC848B (AE3332) | AE3332 |
| Q11 | TRANSISTOR PNP BC858B (AE3042) | AE3042 |
| Q12 | TRANSISTOR NPN BC848B (AE3332) | AE3332 |
| Q13 | TRANSISTOR PNP BC858B (AE3042) | AE3042 |
| Q14 | TRANSISTOR SMD SI4848DY MOSFET (AE8937) | AE8937 |
| Q15 | TRANSISTOR PNP BC858B (AE3042) | AE3042 |
| Q16 | TRANSISTOR MOSFET DUAL AO6604 (AE8413) | AE8413 |
| Q17 | TRANSISTOR PNP 2N4403 (AE0273) | AE0273 |
| Q18 | TRANSISTOR PNP 2N4403 (AE0273) | AE0273 |
| Q19 | TRANSISTOR NPN BC848B (AE3332) | AE3332 |
| Q20 | TRANSISTOR NPN BC848B (AE3332) | AE3332 |
| Q21 | TRANSISTOR MOSFET DUAL AO6604 (AE8413) | AE8413 |
| Q22 | TRANSISTOR PNP BC858B (AE3042) | AE3042 |
| Q23 | TRANSISTOR NPN BC848B (AE3332) | AE3332 |
| Q24 | TRANSISTOR PNP BC858B (AE3042) | AE3042 |
| Q25 | TRANSISTOR NPN BC848B (AE3332) | AE3332 |
| Q26 | TRANSISTOR PNP BC858B (AE3042) | AE3042 |
| Q27 | TRANSISTOR MOSFET DUAL IRF7509 (AE6308) | AE6308 |
| Q28 | TRANSISTOR PNP BC858B (AE3042) | AE3042 |
| Q29 | TRANSISTOR NPN BC848B (AE3332) | AE3332 |
| Q30 | TRANSISTOR PNP BC858B (AE3042) | AE3042 |
| R1 | RESISTOR CARBON SMD0402 68R 1% (AC7354) | AC7354 |
| R2 | RESISTOR CARBON SMD0402 68R 1% (AC7354) | AC7354 |
| R3 | RESISTOR CARBON SMD0402 47R 1% (AC7281) | AC7281 |
| R4 | RESISTOR CARBON SMD0402 47R 1% (AC7281) | AC7281 |

| | | |
|-----|---|--------|
| R5 | RESISTOR CARBON SMD0402 0R0 (AC7350) | AC7350 |
| R6 | RESISTOR CARBON SMD0402 1K0 1% (AC7404) | AC7404 |
| R7 | RESISTOR CARBON SMD0402 1K0 1% (AC7404) | AC7404 |
| R8 | RESISTOR CARBON SMD0402 1K0 1% (AC7404) | AC7404 |
| R9 | RESISTOR CARBON SMD0402 1K0 1% (AC7404) | AC7404 |
| R10 | RESISTOR CARBON SMD0402 10K 1% (AC7359) | AC7359 |
| R11 | RESISTOR METAL SMD0402 12K 0.5% (AC8475) | AC8475 |
| R12 | RESISTOR CARBON SMD0402 10K 1% (AC7359) | AC7359 |
| R13 | RESISTOR CARBON SMD0402 68R 1% (AC7354) | AC7354 |
| R14 | RESISTOR CARBON SMD0402 47R 1% (AC7281) | AC7281 |
| R15 | RESISTOR CARBON SMD0402 68R 1% (AC7354) | AC7354 |
| R16 | RESISTOR CARBON SMD0402 68R 1% (AC7354) | AC7354 |
| R17 | RESISTOR CARBON SMD0402 68R 1% (AC7354) | AC7354 |
| R18 | RESISTOR METAL SMD0402 100K 0.5% (AC8486) | AC8486 |
| R19 | RESISTOR CARBON SMD0402 68R 1% (AC7354) | AC7354 |
| R20 | RESISTOR METAL SMD0402 120R 0.5% (AC8455) | AC8455 |
| R21 | RESISTOR CARBON SMD0402 47R 1% (AC7281) | AC7281 |
| R22 | RESISTOR CARBON SMD0402 68R 1% (AC7354) | AC7354 |
| R23 | RESISTOR CARBON SMD0402 68R 1% (AC7354) | AC7354 |
| R24 | RESISTOR METAL SMD0402 1K8 0.5% (AC8468) | AC8468 |
| R25 | RESISTOR METAL SMD0402 1K8 0.5% (AC8468) | AC8468 |
| R26 | RESISTOR CARBON SMD0402 47R 1% (AC7281) | AC7281 |
| R27 | RESISTOR CARBON SMD0402 47R 1% (AC7281) | AC7281 |
| R28 | RESISTOR CARBON SMD0402 68R 1% (AC7354) | AC7354 |
| R29 | RESISTOR CARBON SMD0402 68R 1% (AC7354) | AC7354 |
| R30 | RESISTOR CARBON SMD0402 22R 1% (AC7352) | AC7352 |
| R31 | RESISTOR CARBON SMD0402 68R 1% (AC7354) | AC7354 |
| R32 | RESISTOR CARBON SMD0402 68R 1% (AC7354) | AC7354 |
| R33 | RESISTOR CARBON SMD0402 68R 1% (AC7354) | AC7354 |
| R34 | RESISTOR CARBON SMD0402 100R 1% (AC7356) | AC7356 |
| R35 | RESISTOR CARBON SMD0402 100R 1% (AC7356) | AC7356 |
| R36 | RESISTOR CARBON SMD0402 68R 1% (AC7354) | AC7354 |
| R37 | RESISTOR CARBON SMD0402 47R 1% (AC7281) | AC7281 |
| R38 | RESISTOR CARBON SMD0402 47R 1% (AC7281) | AC7281 |
| R39 | RESISTOR CARBON SMD0402 47R 1% (AC7281) | AC7281 |
| R40 | RESISTOR CARBON SMD0402 68R 1% (AC7354) | AC7354 |
| R41 | RESISTOR CARBON SMD0402 68R 1% (AC7354) | AC7354 |
| R42 | RESISTOR CARBON SMD0402 68R 1% (AC7354) | AC7354 |
| R43 | RESISTOR CARBON SMD0402 100R 1% (AC7356) | AC7356 |
| R44 | RESISTOR CARBON SMD0402 10K 1% (AC7359) | AC7359 |
| R45 | RESISTOR METAL SMD0402 18K 0.5% (AC8477) | AC8477 |
| R46 | RESISTOR CARBON SMD0402 10K 1% (AC7359) | AC7359 |
| R47 | RESISTOR METAL FILM SMD0805 680K 2% (AC2845) | AC2845 |
| R48 | RESISTOR METAL FILM SMD0805 120K 1% (AC5109) | AC5109 |
| R49 | RESISTOR METAL SMD0402 100K 0.5% (AC8486) | AC8486 |
| R50 | RESISTOR METAL SMD0402 100K 0.5% (AC8486) | AC8486 |
| R51 | RESISTOR METAL SMD0402 330R 0.5% (AC8460) | AC8460 |
| R52 | RESISTOR METAL SMD0402 120R 0.5% (AC8455) | AC8455 |
| R53 | RESISTOR CARBON SMD0402 33R 1% (AC7353) | AC7353 |
| R54 | RES SMD TF 10K 0.5% 0805 MET (H1Y84XR) (AC6018) | AC6018 |

| | | |
|------|--|--------|
| R55 | RES SMD TF 10K 0.5% 0805 MET (H1Y84XR) (AC6018) | AC6018 |
| R56 | RES SMD TF 10K 0.5% 0805 MET (H1Y84XR) (AC6018) | AC6018 |
| R57 | RES SMD TF 10K 0.5% 0805 MET (H1Y84XR) (AC6018) | AC6018 |
| R58 | RESISTOR METAL SMD0402 1K2 0.5% (AC8466) | AC8466 |
| R59 | RESISTOR METAL SMD0402 1K2 0.5% (AC8466) | AC8466 |
| R60 | RESISTOR METAL SMD0402 2K7 0.5% (AC8469) | AC8469 |
| R61 | RESISTOR METAL SMD0402 2K7 0.5% (AC8469) | AC8469 |
| R62 | RESISTOR CARBON SMD0402 100R 1% (AC7356) | AC7356 |
| R63 | RESISTOR CARBON SMD0402 100R 1% (AC7356) | AC7356 |
| R64 | RESISTOR CARBON SMD0402 68R 1% (AC7354) | AC7354 |
| R65 | RESISTOR METAL SMD0402 8K2 0.5% (AC8474) | AC8474 |
| R66 | RESISTOR METAL SMD0402 8K2 0.5% (AC8474) | AC8474 |
| R67 | RESISTOR METAL SMD0402 8K2 0.5% (AC8474) | AC8474 |
| R68 | RESISTOR METAL SMD0402 8K2 0.5% (AC8474) | AC8474 |
| R69 | RESISTOR METAL SMD0402 18K 0.5% (AC8477) | AC8477 |
| R70 | RESISTOR METAL SMD0402 18K 0.5% (AC8477) | AC8477 |
| R71 | RESISTOR METAL SMD0402 18K 0.5% (AC8477) | AC8477 |
| R72 | RESISTOR METAL SMD0402 1K8 0.5% (AC8468) | AC8468 |
| R73 | RESISTOR METAL SMD0402 1K8 0.5% (AC8468) | AC8468 |
| R74 | RESISTOR METAL SMD0402 18K 0.5% (AC8477) | AC8477 |
| R75 | RESISTOR METAL SMD0402 1K8 0.5% (AC8468) | AC8468 |
| R76 | RESISTOR METAL SMD0402 1K8 0.5% (AC8468) | AC8468 |
| R77 | RES SMD TF 2K7 0.5% 0805 MET (H1Y84AZ) (AC6014) | AC6014 |
| R78 | RES SMD TF 2K7 0.5% 0805 MET (H1Y84AZ) (AC6014) | AC6014 |
| R79 | RESISTOR METAL SMD0402 8K2 0.5% (AC8474) | AC8474 |
| R80 | RES SMD TF 6K34 0.5% 0805 MET (H1Yxxx?) (AC8919) | AC8919 |
| R81 | RES SMD TF 6K34 0.5% 0805 MET (H1Yxxx?) (AC8919) | AC8919 |
| R82 | RES SMD TF 6K34 0.5% 0805 MET (H1Yxxx?) (AC8919) | AC8919 |
| R83 | RES SMD TF 6K34 0.5% 0805 MET (H1Yxxx?) (AC8919) | AC8919 |
| R84 | RES SMD TF 10K 0.5% 0805 MET (H1Y84XR) (AC6018) | AC6018 |
| R85 | RES SMD TF 10K 0.5% 0805 MET (H1Y84XR) (AC6018) | AC6018 |
| R86 | RES SMD TF 10K 0.5% 0805 MET (H1Y84XR) (AC6018) | AC6018 |
| R87 | RES SMD TF 10K 0.5% 0805 MET (H1Y84XR) (AC6018) | AC6018 |
| R88 | RES SMD TF 47R 0.5% 0805 MET (H1Y82LL) (AC6009) | AC6009 |
| R89 | RES SMD TF 47R 0.5% 0805 MET (H1Y82LL) (AC6009) | AC6009 |
| R90 | RESISTOR CARBON SMD0402 2K2 1% (AC8431) | AC8431 |
| R91 | RESISTOR CARBON SMD0402 2K2 1% (AC8431) | AC8431 |
| R92 | RESISTOR CARBON SMD0402 10K 1% (AC7359) | AC7359 |
| R93 | RESISTOR METAL SMD0402 100K 0.5% (AC8486) | AC8486 |
| R94 | RESISTOR METAL SMD0402 100K 0.5% (AC8486) | AC8486 |
| R95 | RES SMD TF 1K0 0.5% 0805 MET (H1Y83RQ)(AC6011) | AC6011 |
| R96 | RES SMD TF 12K 0.5% 0805 MET (H1Y84YT) (AC6019) | AC6019 |
| R97 | RES SMD TF 12K 0.5% 0805 MET (H1Y84YT) (AC6019) | AC6019 |
| R98 | RES SMD TF 1K0 0.5% 0805 MET (H1Y83RQ)(AC6011) | AC6011 |
| R99 | RES SMD TF 10K 0.5% 0805 MET (H1Y84XR) (AC6018) | AC6018 |
| R100 | RES SMD TF 10K 0.5% 0805 MET (H1Y84XR) (AC6018) | AC6018 |
| R101 | RESISTOR METAL SMD0402 12K 0.5% (AC8475) | AC8475 |
| R102 | RESISTOR METAL SMD0402 12K 0.5% (AC8475) | AC8475 |
| R103 | RESISTOR METAL SMD0402 12K 0.5% (AC8475) | AC8475 |
| R104 | RESISTOR METAL SMD0402 12K 0.5% (AC8475) | AC8475 |

| | | |
|------|---|--------|
| R105 | RESISTOR CARBON 22R 1/4W 5% (AC0004) | AC0004 |
| R106 | RESISTOR CARBON 22R 1/4W 5% (AC0004) | AC0004 |
| R107 | RESISTOR CARBON 22R 1/4W 5% (AC0004) | AC0004 |
| R108 | RESISTOR CARBON 22R 1/4W 5% (AC0004) | AC0004 |
| R109 | RESISTOR CARBON 22R 1/4W 5% (AC0004) | AC0004 |
| R110 | RESISTOR CARBON 22R 1/4W 5% (AC0004) | AC0004 |
| R111 | RESISTOR CARBON 22R 1/4W 5% (AC0004) | AC0004 |
| R112 | RESISTOR CARBON 22R 1/4W 5% (AC0004) | AC0004 |
| R113 | RESISTOR CARBON 22R 1/4W 5% (AC0004) | AC0004 |
| R114 | RESISTOR CARBON 22R 1/4W 5% (AC0004) | AC0004 |
| R115 | RESISTOR CARBON 22R 1/4W 5% (AC0004) | AC0004 |
| R116 | RESISTOR CARBON 22R 1/4W 5% (AC0004) | AC0004 |
| R117 | RESISTOR CARBON SMD1206 100R 5% (AC3398) | AC3398 |
| R118 | RESISTOR CARBON SMD1206 100R 5% (AC3398) | AC3398 |
| R121 | RESISTOR CARBON 47R 1/4W 5% (AC0333) | AC0333 |
| R122 | RESISTOR METAL SMD0402 15K 0.5% (AC8476) | AC8476 |
| R123 | RESISTOR METAL SMD0402 15K 0.5% (AC8476) | AC8476 |
| R124 | RESISTOR CARBON 47R 1/4W 5% (AC0333) | AC0333 |
| R125 | RESISTOR CARBON 47R 1/4W 5% (AC0333) | AC0333 |
| R126 | RESISTOR METAL SMD0402 12K 0.5% (AC8475) | AC8475 |
| R127 | RESISTOR METAL SMD0402 15K 0.5% (AC8476) | AC8476 |
| R128 | RESISTOR CARBON 47R 1/4W 5% (AC0333) | AC0333 |
| R129 | RESISTOR METAL SMD0402 2K7 0.5% (AC8469) | AC8469 |
| R131 | RESISTOR CARBON SMD0805 12K 5% (AC4107) | AC4107 |
| R132 | RESISTOR METAL SMD0402 1K8 0.5% (AC8468) | AC8468 |
| R133 | RESISTOR SMD0603 10K 1% (AC8867) | AC8867 |
| R134 | RESISTOR CARBON SMD0402 68R 1% (AC7354) | AC7354 |
| R135 | RESISTOR METAL FILM SMD0805 120K 1% (AC5109) | AC5109 |
| R136 | RESISTOR SMD0603 1K0 1% (AC8863) | AC8863 |
| R137 | RESISTOR SMD0603 1K2 1% (AC8860) | AC8860 |
| R138 | RESISTOR CARBON SMD0603 165K 1% (AC5980) | AC5980 |
| R139 | RESISTOR CARBON SMD0603 2K0 1% (AC5976) | AC5976 |
| R140 | RESISTOR METAL SMD0402 330R 0.5% (AC8460) | AC8460 |
| R141 | RESISTOR METAL FILM SMD0805 150K 1% (AC5414) | AC5414 |
| R142 | RESISTOR CARBON SMD0402 22R 1% (AC7352) | AC7352 |
| R143 | RESISTOR CARBON SMD0805 47R 5% (AC3036) | AC3036 |
| R144 | RESISTOR CARBON SMD 1210 0R2 5% (AC8949) | AC8949 |
| R145 | RESISTOR CARBON SMD 1210 0R2 5% (AC8949) | AC8949 |
| R146 | RESISTOR CARBON SMD0402 2K2 1% (AC8431) | AC8431 |
| R147 | RESISTOR METAL SMD0402 270R 0.5% (AC8459) | AC8459 |
| R148 | RESISTOR CARBON SMD0402 2K2 1% (AC8431) | AC8431 |
| R149 | RESISTOR METAL FILM SMD0805 2K2 1% (AC0370) | AC0370 |
| R150 | RESISTOR CARBON SMD0402 10K 1% (AC7359) | AC7359 |
| R151 | RESISTOR CARBON SMD0402 10K 1% (AC7359) | AC7359 |
| R152 | RES SMD TF 47R 0.5% 0805 MET (H1Y82LL) (AC6009) | AC6009 |
| R153 | RESISTOR METAL SMD0402 5K6 0.5% (AC8472) | AC8472 |
| R154 | RESISTOR CARBON SMD0805 15K 5% (AC3486) | AC3486 |
| R155 | RESISTOR METAL SMD0402 2K7 0.5% (AC8469) | AC8469 |
| R156 | RESISTOR METAL SMD0402 12K 0.5% (AC8475) | AC8475 |
| R157 | RESISTOR METAL SMD0402 470R 0.5% (AC8462) | AC8462 |

| | | |
|------|--|---------|
| R158 | RESISTOR CARBON SMD0402 10K 1% (AC7359) | AC7359 |
| R159 | RESISTOR CARBON SMD0402 100R 1% (AC7356) | AC7356 |
| R160 | RESISTOR CARBON SMD0402 10K 1% (AC7359) | AC7359 |
| R161 | RESISTOR CARBON SMD0402 10K 1% (AC7359) | AC7359 |
| R162 | RESISTOR CARBON SMD0805 0R0 5% (AC2838) | AC2838 |
| R163 | RESISTOR METAL FILM SMD0805 120R 1% (AC3055) | AC3055 |
| R164 | RESISTOR CARBON SMD0402 10K 1% (AC7359) | AC7359 |
| R165 | RESISTOR CARBON SMD 1206 0R2 5% (AC8949) | AC8949 |
| R166 | RESISTOR CARBON SMD 1206 0R2 5% (AC8949) | AC8949 |
| R167 | RESISTOR CARBON SMD0402 10K 1% (AC7359) | AC7359 |
| R168 | RESISTOR CARBON SMD0402 10K 1% (AC7359) | AC7359 |
| R169 | RESISTOR CARBON SMD0805 10M 5% (AC3554) | AC3554 |
| R170 | RESISTOR CARBON SMD0402 10K 1% (AC7359) | AC7359 |
| R182 | RESISTOR CARBON SMD0402 0R0 (AC7350) | AC7350 |
| R184 | RESISTOR CARBON SMD0402 0R0 (AC7350) | AC7350 |
| R185 | RESISTOR CARBON SMD0402 0R0 (AC7350) | AC7350 |
| R187 | RESISTOR CARBON SMD0402 0R0 (AC7350) | AC7350 |
| R188 | RESISTOR METAL SMD0402 100K 0.5% (AC8486) | AC8486 |
| R189 | RESISTOR METAL SMD0402 100K 0.5% (AC8486) | AC8486 |
| R190 | RESISTOR METAL SMD0402 100K 0.5% (AC8486) | AC8486 |
| R191 | RESISTOR METAL SMD0402 100K 0.5% (AC8486) | AC8486 |
| R192 | RESISTOR CARBON SMD0402 0R0 (AC7350) | AC7350 |
| R193 | RESISTOR CARBON SMD0402 10K 1% (AC7359) | AC7359 |
| R194 | RESISTOR CARBON SMD0402 10K 1% (AC7359) | AC7359 |
| R195 | RESISTOR CARBON SMD0402 10K 1% (AC7359) | AC7359 |
| R196 | RESISTOR CARBON SMD0402 10K 1% (AC7359) | AC7359 |
| R197 | RESISTOR CARBON SMD0402 10K 1% (AC7359) | AC7359 |
| R205 | RESISTOR METAL SMD0402 100K 0.5% (AC8486) | AC8486 |
| R206 | RESISTOR CARBON SMD0402 10K 1% (AC7359) | AC7359 |
| R207 | RESISTOR CARBON SMD0402 10K 1% (AC7359) | AC7359 |
| R208 | RESISTOR CARBON SMD0402 10K 1% (AC7359) | AC7359 |
| R209 | RESISTOR CARBON SMD0402 10K 1% (AC7359) | AC7359 |
| R210 | RESISTOR METAL SMD0402 12K 0.5% (AC8475) | AC8475 |
| R211 | RESISTOR SMD NOT FITTED 0402 | NO PART |
| R212 | RESISTOR SMD NOT FITTED 0402 | NO PART |
| R213 | RESISTOR SMD NOT FITTED 0402 | NO PART |
| R214 | RESISTOR SMD NOT FITTED 0402 | NO PART |
| R215 | RESISTOR SMD NOT FITTED 0402 | NO PART |
| R216 | RESISTOR SMD NOT FITTED 0402 | NO PART |
| R217 | RESISTOR SMD NOT FITTED 0402 | NO PART |
| R218 | RESISTOR SMD NOT FITTED 0402 | NO PART |
| R219 | RESISTOR CARBON SMD0402 0R0 (AC7350) | AC7350 |
| R220 | RESISTOR CARBON SMD0402 47R 1% (AC7281) | AC7281 |
| R221 | RESISTOR CARBON SMD0402 47R 1% (AC7281) | AC7281 |
| R222 | RESISTOR CARBON SMD0402 47R 1% (AC7281) | AC7281 |
| R223 | RESISTOR CARBON SMD0402 47R 1% (AC7281) | AC7281 |
| R224 | RESISTOR CARBON SMD0402 47R 1% (AC7281) | AC7281 |
| R225 | RESISTOR CARBON SMD0402 47R 1% (AC7281) | AC7281 |
| R226 | RESISTOR CARBON SMD0402 47R 1% (AC7281) | AC7281 |
| R227 | RESISTOR CARBON SMD0402 47R 1% (AC7281) | AC7281 |

| | | |
|------|---|---------|
| R228 | RESISTOR METAL SMD0402 120R 0.5% (AC8455) | AC8455 |
| R229 | RESISTOR CARBON SMD0402 1K0 1% (AC7404) | AC7404 |
| R230 | RESISTOR CARBON SMD0402 1K0 1% (AC7404) | AC7404 |
| R231 | RESISTOR CARBON SMD0402 49R9 1% (AC7357) | AC7357 |
| R232 | RESISTOR CARBON SMD0402 49R9 1% (AC7357) | AC7357 |
| R233 | RESISTOR CARBON SMD0402 49R9 1% (AC7357) | AC7357 |
| R234 | RESISTOR CARBON SMD0402 1K0 1% (AC7404) | AC7404 |
| R235 | RESISTOR CARBON SMD0402 49R9 1% (AC7357) | AC7357 |
| R236 | RESISTOR CARBON SMD0402 49R9 1% (AC7357) | AC7357 |
| R237 | RESISTOR CARBON SMD0402 1K0 1% (AC7404) | AC7404 |
| R238 | RESISTOR CARBON SMD0402 49R9 1% (AC7357) | AC7357 |
| R239 | RESISTOR CARBON SMD0402 49R9 1% (AC7357) | AC7357 |
| R240 | RESISTOR CARBON SMD0402 49R9 1% (AC7357) | AC7357 |
| R241 | RESISTOR METAL FILM SMD0805 75R 1% (AC5416) | AC5416 |
| R242 | RESISTOR METAL FILM SMD0805 75R 1% (AC5416) | AC5416 |
| R243 | RESISTOR METAL FILM SMD0805 75R 1% (AC5416) | AC5416 |
| R244 | RESISTOR CARBON SMD0402 49R9 1% (AC7357) | AC7357 |
| R245 | RESISTOR CARBON SMD0402 49R9 1% (AC7357) | AC7357 |
| R246 | RESISTOR METAL FILM SMD0805 75R 1% (AC5416) | AC5416 |
| R247 | RESISTOR METAL FILM SMD0805 75R 1% (AC5416) | AC5416 |
| R248 | RESISTOR CARBON SMD0402 49R9 1% (AC7357) | AC7357 |
| R249 | RESISTOR CARBON SMD0402 49R9 1% (AC7357) | AC7357 |
| R250 | RESISTOR METAL FILM SMD0805 75R 1% (AC5416) | AC5416 |
| R251 | RESISTOR METAL FILM SMD0805 75R 1% (AC5416) | AC5416 |
| R252 | RESISTOR CARBON SMD0402 0R0 (AC7350) | AC7350 |
| R253 | RESISTOR CARBON SMD0402 0R0 (AC7350) | AC7350 |
| R254 | RESISTOR CARBON SMD0402 0R0 (AC7350) | AC7350 |
| R255 | RESISTOR CARBON SMD0402 0R0 (AC7350) | AC7350 |
| R265 | RESISTOR CARBON SMD0402 10K 1% (AC7359) | AC7359 |
| R266 | RESISTOR CARBON SMD0402 4K7 1% (AC7358) | AC7358 |
| R267 | RESISTOR SMD NOT FITTED 0402 | NO PART |
| R268 | RESISTOR METAL SMD0402 18K 0.5% (AC8477) | AC8477 |
| R269 | RESISTOR METAL SMD0402 18K 0.5% (AC8477) | AC8477 |
| R272 | RESISTOR METAL SMD0402 5K6 0.5% (AC8472) | AC8472 |
| R273 | RESISTOR METAL SMD0402 3K3 0.5% (AC8470) | AC8470 |
| R274 | RESISTOR CARBON SMD0402 100R 1% (AC7356) | AC7356 |
| R275 | RESISTOR CARBON SMD0402 100R 1% (AC7356) | AC7356 |
| R276 | RESISTOR METAL SMD0402 3K3 0.5% (AC8470) | AC8470 |
| R277 | RESISTOR METAL SMD0402 6K8 0.5% (AC8473) | AC8473 |
| R278 | RESISTOR METAL SMD0402 100K 0.5% (AC8486) | AC8486 |
| R279 | RESISTOR CARBON SMD0402 10K 1% (AC7359) | AC7359 |
| R280 | RESISTOR CARBON SMD0402 10K 1% (AC7359) | AC7359 |
| R281 | RESISTOR METAL SMD0402 2K7 0.5% (AC8469) | AC8469 |
| R282 | RESISTOR CARBON SMD0402 10K 1% (AC7359) | AC7359 |
| R283 | RESISTOR METAL SMD0402 82K 0.5% (AC8485) | AC8485 |
| R285 | RESISTOR METAL SMD0402 5K6 0.5% (AC8472) | AC8472 |
| R286 | RESISTOR CARBON SMD0402 0R0 (AC7350) | AC7350 |
| R287 | RESISTOR CARBON SMD0402 0R0 (AC7350) | AC7350 |
| R288 | RESISTOR CARBON SMD0402 4K7 1% (AC7358) | AC7358 |
| R289 | RESISTOR CARBON SMD0402 4K7 1% (AC7358) | AC7358 |

| | | |
|------|---|---------|
| R290 | RESISTOR CARBON SMD0402 4K7 1% (AC7358) | AC7358 |
| R291 | RESISTOR CARBON SMD0402 10K 1% (AC7359) | AC7359 |
| R292 | RESISTOR METAL SMD0402 100K 0.5% (AC8486) | AC8486 |
| R293 | RESISTOR METAL SMD0402 6K8 0.5% (AC8473) | AC8473 |
| R294 | RESISTOR CARBON SMD0402 2K2 1% (AC8431) | AC8431 |
| R295 | RESISTOR CARBON SMD0402 47R 1% (AC7281) | AC7281 |
| R296 | RESISTOR CARBON SMD0402 47R 1% (AC7281) | AC7281 |
| R297 | RESISTOR CARBON SMD0402 47R 1% (AC7281) | AC7281 |
| R298 | RESISTOR CARBON SMD0402 47R 1% (AC7281) | AC7281 |
| R299 | RESISTOR CARBON SMD0402 47R 1% (AC7281) | AC7281 |
| R300 | RESISTOR CARBON SMD0402 47R 1% (AC7281) | AC7281 |
| R301 | RESISTOR METAL SMD0402 47K 0.5% (AC8482) | AC8482 |
| R304 | RESISTOR CARBON SMD0402 10K 1% (AC7359) | AC7359 |
| R305 | RESISTOR CARBON SMD0402 10K 1% (AC7359) | AC7359 |
| R306 | RESISTOR METAL SMD0402 330R 0.5% (AC8460) | AC8460 |
| R307 | RESISTOR CARBON SMD0402 100R 1% (AC7356) | AC7356 |
| R308 | RESISTOR CARBON SMD0402 1K0 1% (AC7404) | AC7404 |
| R309 | RESISTOR CARBON SMD0402 1K0 1% (AC7404) | AC7404 |
| R310 | RESISTOR CARBON SMD0402 100R 1% (AC7356) | AC7356 |
| R311 | RESISTOR CARBON SMD0402 100R 1% (AC7356) | AC7356 |
| R312 | RESISTOR CARBON SMD0402 1K0 1% (AC7404) | AC7404 |
| R313 | RESISTOR CARBON SMD0402 1K0 1% (AC7404) | AC7404 |
| R314 | RESISTOR CARBON SMD0402 100R 1% (AC7356) | AC7356 |
| R315 | RESISTOR SMD NOT FITTED 1206 | NO PART |
| R316 | RESISTOR METAL SMD0402 15K 0.5% (AC8476) | AC8476 |
| R317 | RESISTOR METAL SMD0402 1K0 0.5% (AC8917) | AC8917 |
| R318 | RESISTOR CARBON SMD0402 10K 1% (AC7359) | AC7359 |
| R319 | RESISTOR METAL SMD0402 330R 0.5% (AC8460) | AC8460 |
| R320 | RESISTOR CARBON SMD0402 10K 1% (AC7359) | AC7359 |
| R321 | RESISTOR CARBON SMD0402 4K7 1% (AC7358) | AC7358 |
| R322 | RESISTOR METAL SMD0402 3K3 0.5% (AC8470) | AC8470 |
| R323 | RESISTOR METAL SMD0402 3K3 0.5% (AC8470) | AC8470 |
| R324 | RESISTOR CARBON SMD0402 10K 1% (AC7359) | AC7359 |
| R325 | RESISTOR CARBON SMD0805 0R0 5% (AC2838) | AC2838 |
| R326 | RESISTOR CARBON SMD0805 220R 5% (AC0368) | AC0368 |
| R327 | RESISTOR CARBON SMD0402 10K 1% (AC7359) | AC7359 |
| R328 | RESISTOR CARBON SMD0805 10M 5% (AC3554) | AC3554 |
| R329 | RESISTOR CARBON SMD0402 10K 1% (AC7359) | AC7359 |
| R330 | RESISTOR CARBON SMD0402 10K 1% (AC7359) | AC7359 |
| R331 | RESISTOR CARBON SMD0402 10K 1% (AC7359) | AC7359 |
| R332 | RESISTOR CARBON SMD0402 10K 1% (AC7359) | AC7359 |
| R333 | RES SMD TF 2K2 0.5% 0402 MET (H1Y52HH) (AC8431) | AC8431 |
| R334 | RESISTOR METAL FILM SMD0805 4K7 1% (AC3062) | AC3062 |
| R335 | RESISTOR METAL SMD0402 1K0 0.5% (AC8917) | AC8917 |
| R336 | RESISTOR METAL FILM SMD0805 4K7 1% (AC3062) | AC3062 |
| R337 | RESISTOR CARBON SMD0805 2R0 5% (AC3032) | AC3032 |
| R338 | RESISTOR CARBON SMD0805 2R0 5% (AC3032) | AC3032 |
| R339 | RESISTOR CARBON SMD0805 10R 5% (AC3027) | AC3027 |
| R340 | RESISTOR CARBON SMD0805 10R 5% (AC3027) | AC3027 |
| R341 | RESISTOR CARBON SMD0805 10R 5% (AC3027) | AC3027 |

| | | |
|------|---|--------|
| R342 | RESISTOR CARBON SMD0805 10R 5% (AC3027) | AC3027 |
| R349 | RESISTOR CARBON SMD0402 0R0 (AC7350) | AC7350 |
| R350 | RESISTOR METAL SMD0402 15K 0.5% (AC8476) | AC8476 |
| R351 | RESISTOR METAL SMD0402 12K 0.5% (AC8475) | AC8475 |
| R352 | RESISTOR METAL SMD0402 12K 0.5% (AC8475) | AC8475 |
| R353 | RESISTOR METAL SMD0402 12K 0.5% (AC8475) | AC8475 |
| R354 | RESISTOR METAL SMD0402 12K 0.5% (AC8475) | AC8475 |
| R355 | RESISTOR METAL SMD0402 12K 0.5% (AC8475) | AC8475 |
| U1 | IC SMD LPC4357FET256 32 BIT MCU (AE8903) | AE8903 |
| U2 | IC SMD DUAL OP-AMP RC4580IPWR (AE8935) | AE8935 |
| U3 | LD1117-ADJ SOT-223 (AE6931) | AE6931 |
| U5 | IC SMD CS4271 CODEC Software Mode (AE6619) | AE6619 |
| U6 | IC SMD DUAL OP-AMP RC4580IPWR (AE8935) | AE8935 |
| U7 | IC SMD DUAL OP-AMP RC4580IPWR (AE8935) | AE8935 |
| U8 | IC SMD DUAL OP-AMP RC4580IPWR (AE8935) | AE8935 |
| U9 | IC SMD DUAL OP-AMP RC4580IPWR (AE8935) | AE8935 |
| U10 | IC SMD PHOTOCOUPLER FOD817A (AE8934) | AE8934 |
| U11 | IC SMD TPS23753A POE CONTROLLER CONVERTER (AE8932) | AE8932 |
| U12 | IC SMD PHOTOCOUPLER FOD817A (AE8934) | AE8934 |
| U13 | IC SMDPROGRAMMABLE VOLTAGE REFERENCE TL431CD (AE5385) | AE5385 |
| U14 | IC SMD DUAL OP-AMP LM393 (AE5068) | AE5068 |
| U15 | IC SMD TVS ARRAY SRV05-4 (AE7770) | AE7770 |
| U19 | VCXO G57 24.576MHz (AE6053) | AE6053 |
| U20 | IC SMD 74AHC541PW OCTAL BUFFER/LINE DRIVERS (AE7596) | AE7596 |
| U21 | IC SMD ETHERNET PHY MARVELL 88E3015 (AE7403) | AE7403 |
| U22 | IC SMD ETHERNET PHY MARVELL 88E3015 (AE7403) | AE7403 |
| U26 | IC SMD AOZ1280 STEP DOWN BUCK CONVERTER (AE8933) | AE8933 |
| U27 | IC SMD AOZ1280 STEP DOWN BUCK CONVERTER (AE8933) | AE8933 |
| U29 | IC SMD AOZ1280 STEP DOWN BUCK CONVERTER (AE8933) | AE8933 |
| U30 | IC SMD DUAL OP-AMP RC4580IPWR (AE8935) | AE8935 |
| X1 | SMD CRYSTAL 20 MHz (Farnell 332-5313) (AE5162) | AE5162 |