

GEN. TOL. ± 0.05

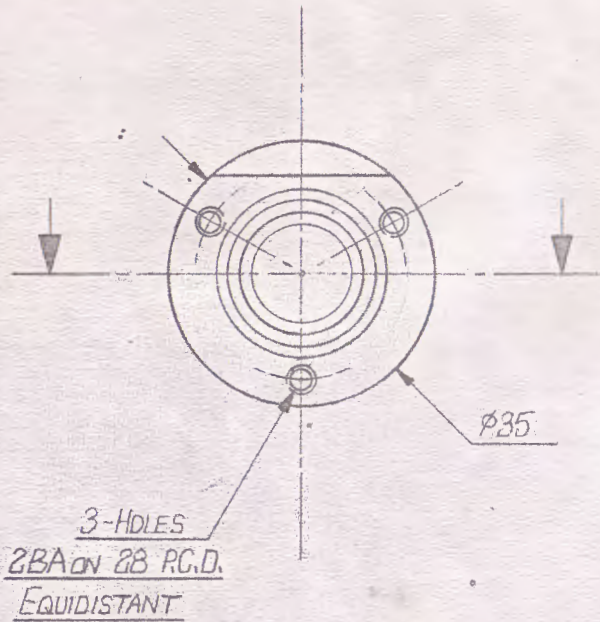
SCALE 1:1

THIRD ANGLE PROJECTION

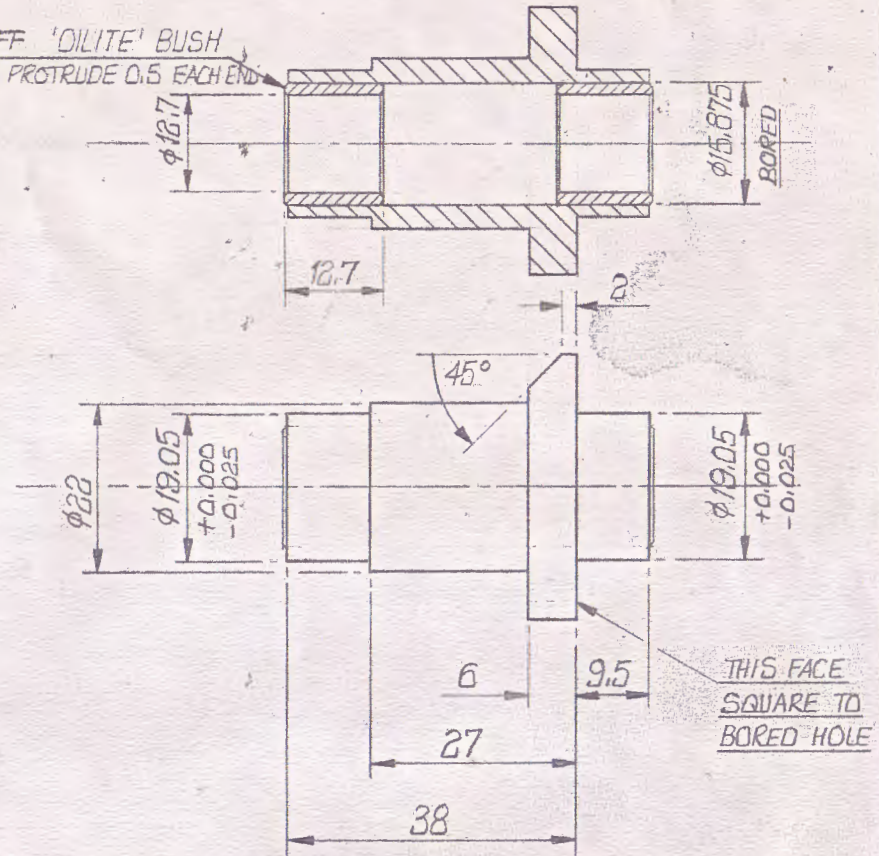
BREAK ALL EDGES

REFER ALSO TO DRG. No. A028

ALL DIMENSIONS IN mm.



2-DR 'DILITE' BUSH
ALLOW TO PROTRUDE 0.5 EACH END



MATERIAL AL. ALLOY H.30

FINISH NATURAL ANODISE

Allen and Heath Limited.

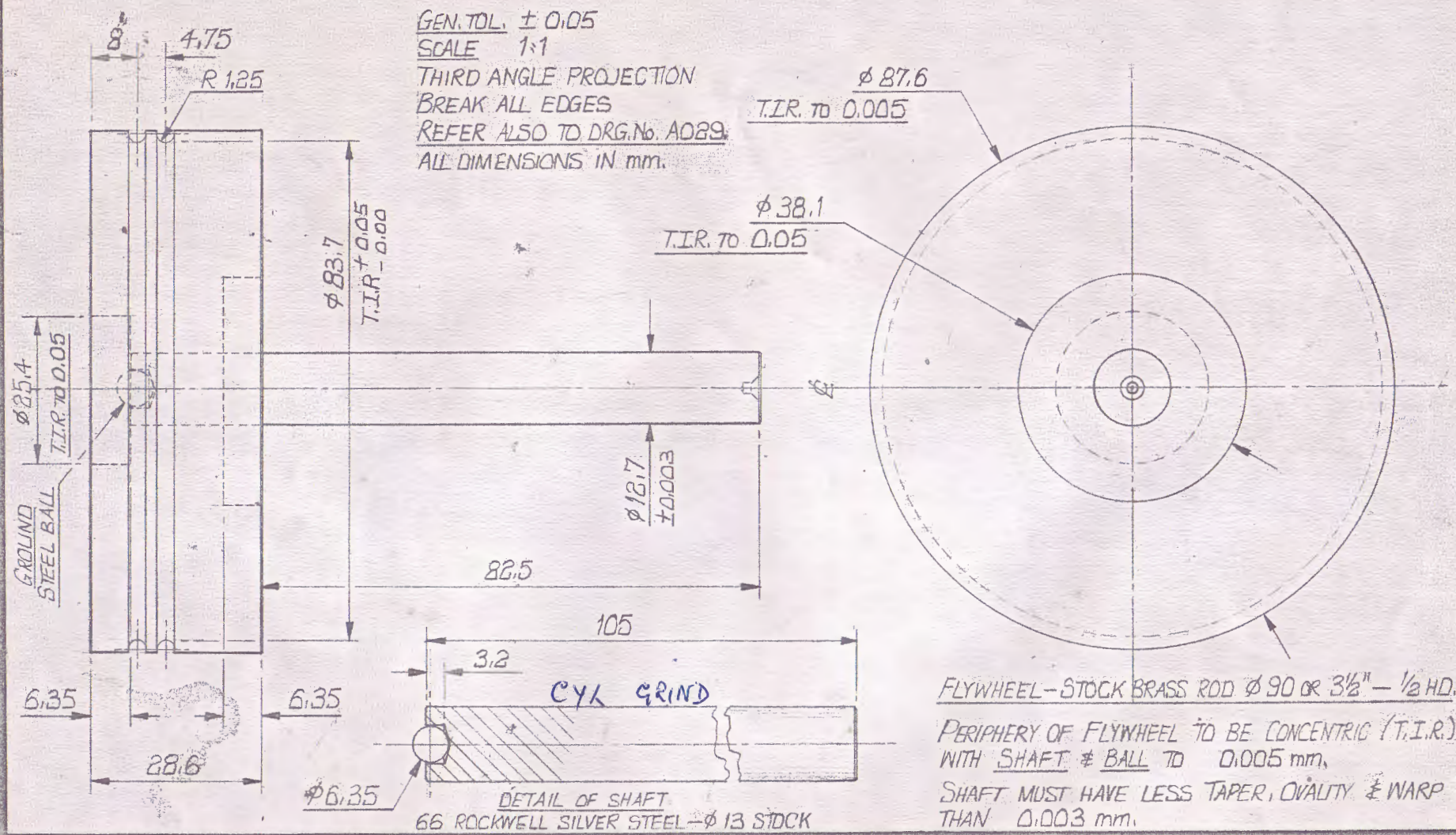
Pembroke House, Campsbourne Road.

London. N8, 7BR. Tel: 01-340-3291.

'MINI-8' / CAPSTAN BEARING HOUSING

11.1.79 / S.C.W

A 028



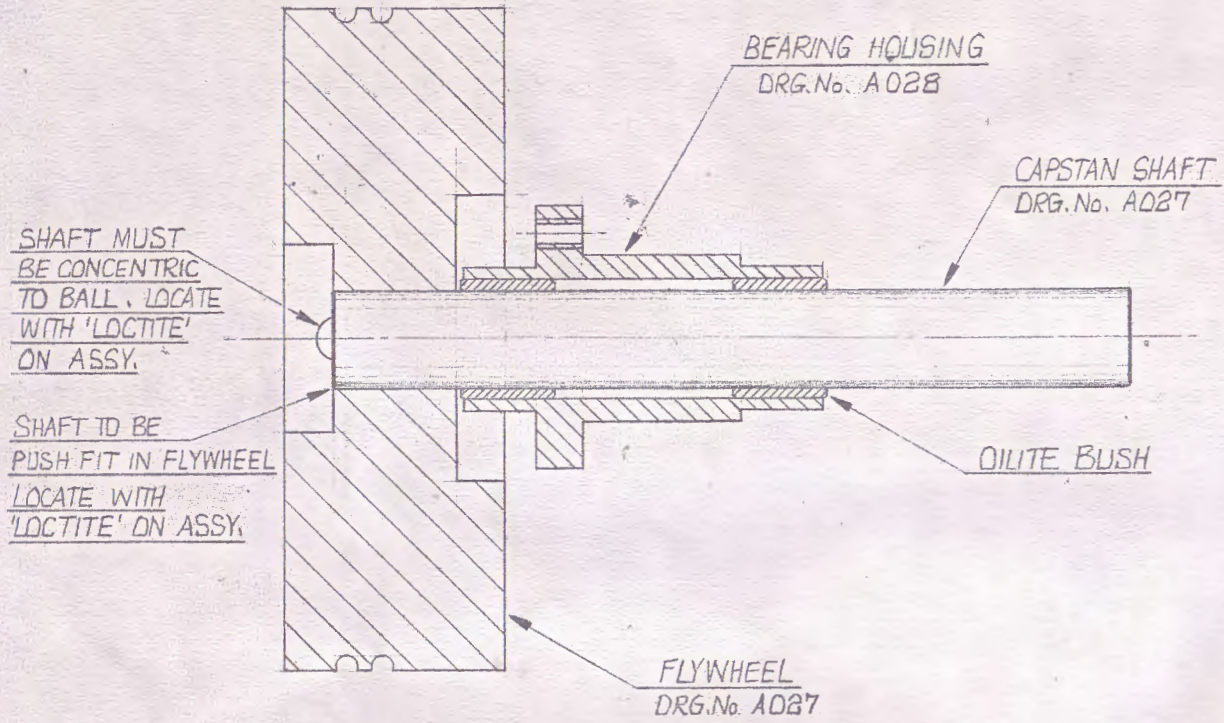
Allen and Heath Limited.

Pembroke House, Campsbourne Road.
 London. N8, 7BR. Tel: 01-340-3291.

'MINI-8' / FLYWHEEL & CAPSTAN SHAFT

10-1-79 / S.C.W

A 027



DRILL & BORE FLYWHEEL ϕ 12.7 DEAD,
PRODUCING PUSH FIT WITH FINISHED
SHAFT.
ARBOR TURN PERIPHERY OF FLYWHEEL
TO PRODUCE REQUIRED STATIC
BALANCE OF ASSEMBLY

RUNNING CLEARANCE MUST BE
BETWEEN 0.003 & 0.006, GOLD

DIMENSIONS IN mm.

Allen and Heath Limited.

Pembroke House, Campsbourne Road.
 London. N8, 7BR. Tel: 01-340-3291.

'MINI-8' / CAPSTAN ASSEMBLY

10.1.79 / S.C.W

A 029