



# REMOTE CONTROL UNIT OWNERS MANUAL

## HOW TO USE YOUR 'BRENEL' REMOTE CONTROL'

Never attempt to plug in the remote control or tape counter whilst the power is on.

Connect the remote control as shown in the connection diagram.

Ensure that all toggle switches on the 'MINI 8' are in their uppermost positions, i.e. 'RECORD' OFF and in 'SYNC' MODE. This allows the remote control to take full control of all machine functions.

When power is applied the 'MINI 8' will be in 'SYNC' mode. The remote control will automatically select 'REPLAY' mode on channel electronics.

All deck functions can now be selected from the remote control, i.e. 'PLAY', 'STOP', 'WIND' and 'REWIND'. The deck function switches on the 'MINI 8' remain connected and may be used at any time, for example when loading and unloading spools of tape. To prevent contradictions the remote control deck functions are disabled whilst those on the 'MINI 8' are being used.

To select 'RECORD' on individual channels press the appropriate record select button. If 'MASTER RECORD' has not been selected the button will flash indicating the 'READY TO RECORD' state. Note that the record lamps on the channel itself will not flash.

If 'MASTER RECORD' has been selected the channel will drop straight into 'RECORD' and the button will remain illuminated. In this case the channel record light will illuminate.

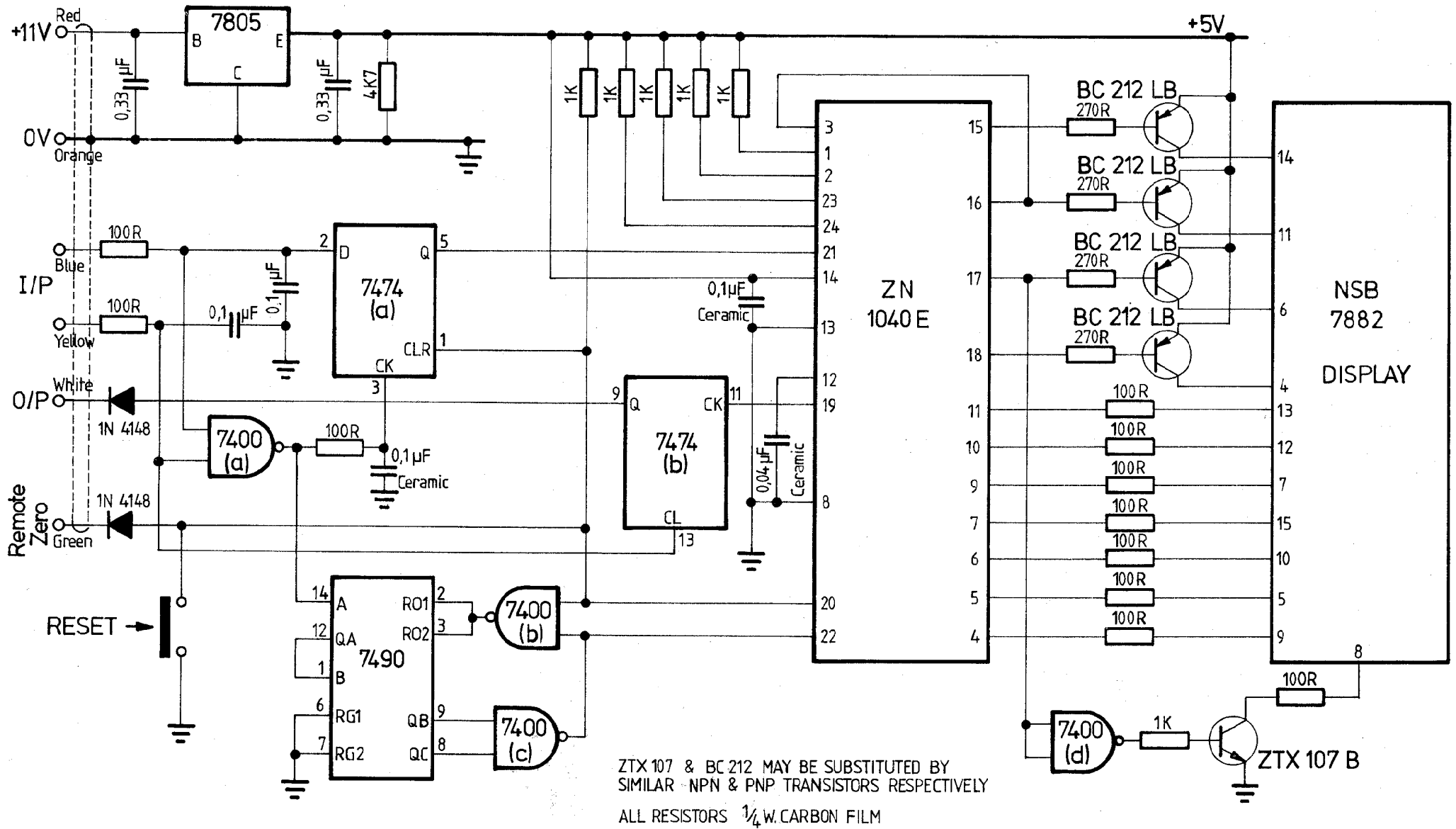
To cancel 'RECORD' on individual channels simply press the appropriate record select button again.

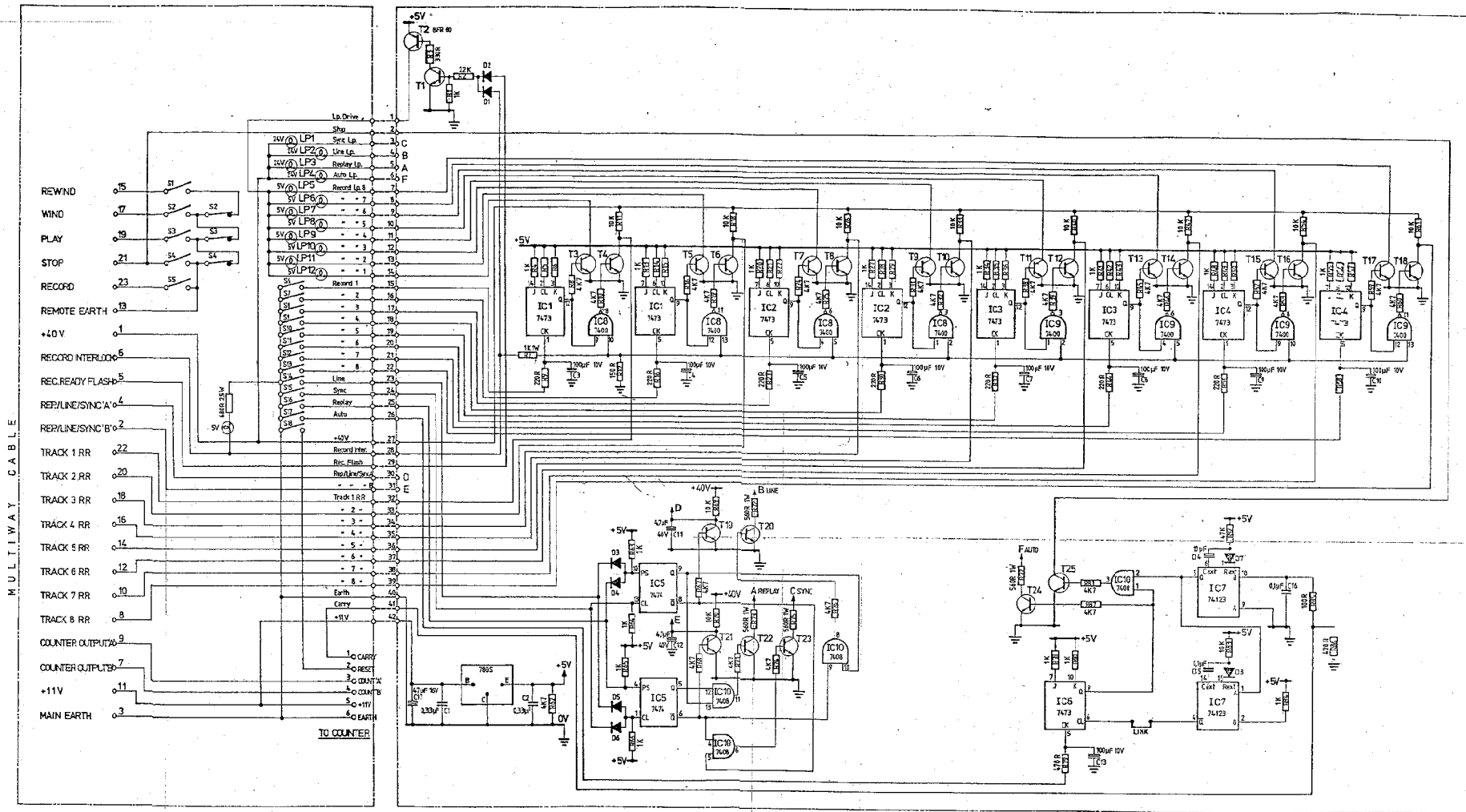
Mode selection is made by pressing the appropriate 'LINE' 'SYNC' or 'REPLAY' buttons, the lamps above these buttons indicate which mode has been selected. These are master selects and switch all channels to the mode selected.

The 'AUTO' function provides a facility whereby the remote control automatically selects 'STOP' when the tape counter passes through zero. This function is useful for stopping the 'MINI 8' at the end of a passage, preventing overrun and returning to the beginning of a reel of tape.

To select 'AUTO' press the 'AUTO' button and the lamp will illuminate to show this function has been selected. This function is cancelled by pressing the 'AUTO' button again and is automatically cancelled after the 'AUTO' function has operated.

The 'ZERO' button resets the digital tape counter. This does not affect the operation of the zero button on the rear of the digital tape counter.





pcb A  
AN82

2x2WAY PRINTED  
FLM WIRE INTERCONNECTION  
BETWEEN BOARDS

pcb B  
BM83

ALL DIODES IN4148  
ALL CAPACITORS 10V UNLESS STATED OTHERWISE  
ALL TRANSISTORS 2TX107 UNLESS STATED OTHERWISE

No.	DESCRIPTION	CHKD/APPD DATE
ALTERATIONS		

MINI-8 REMOTE CONTROL / CIRCUIT DIAGRAM

DRAWN S-C-W	TRACED	CHECKED	APPROVED	DATE 8-9-78	SCALE
----------------	--------	---------	----------	----------------	-------

DRAWING No. CD 100