

ALLEN&HEATH

Parts identification sheet

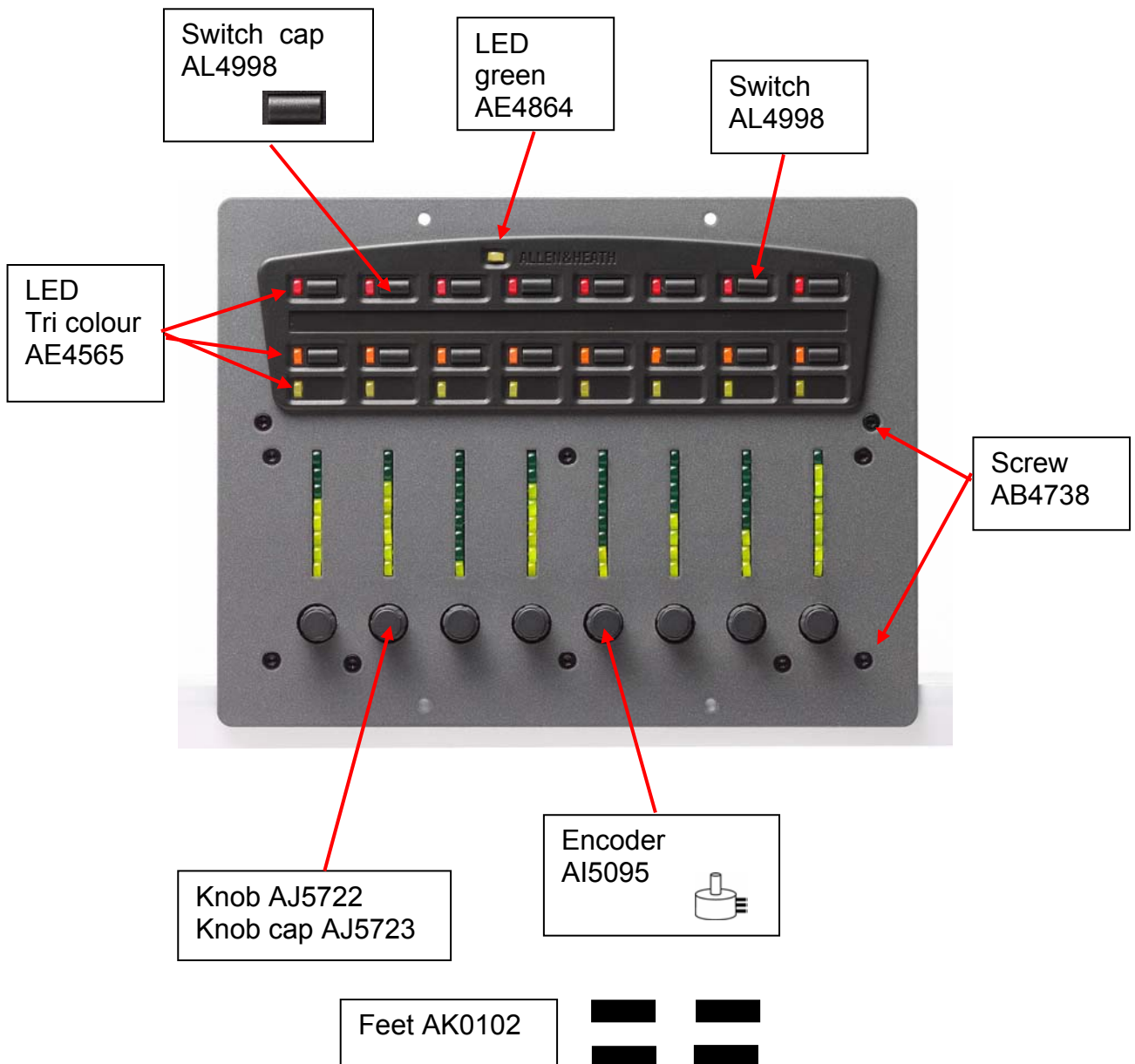
PL-10

How to order parts

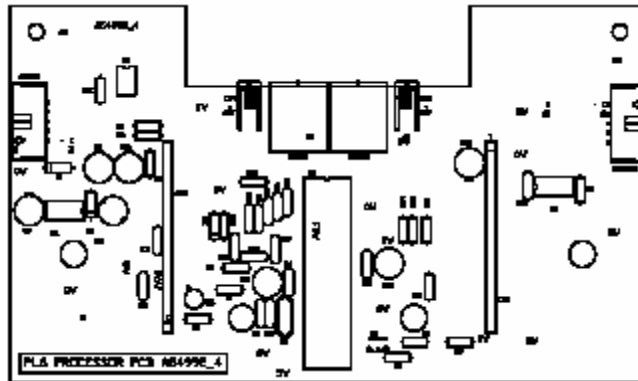
Parts must be ordered from our distributor in your territory. A list of international distributors can be viewed at <http://www.allen-heath.com/UK/distributors.asp>

UK parts must be ordered through an appointed A&H dealer or service centre. A list of UK service centres can be viewed at http://www.allen-heath.com/UK/service_centres.asp

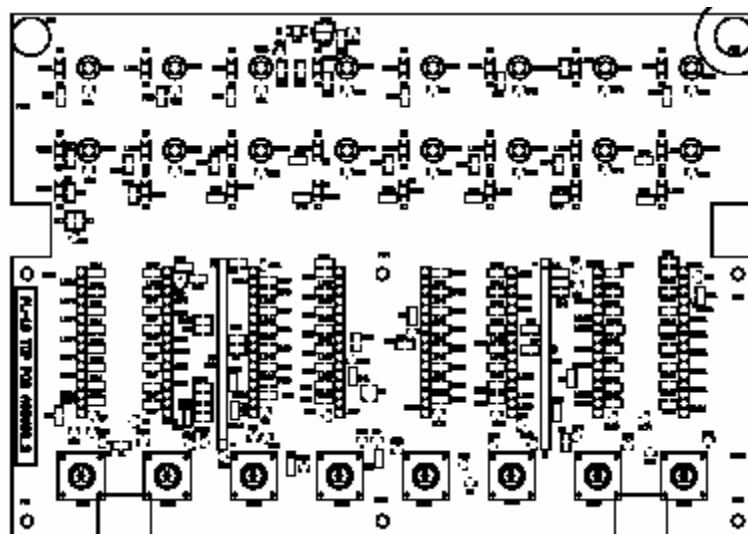
EXTERIOR PARTS



INTERIOR PARTS



Processor PCB
003-248JIT



Top panel PCB
003-249JIT