

ALLEN&HEATH

**PL-14 REMOTE
CONTROLLER**
INSTALLATION & USER GUIDE



ANALOGUE ZONE SERIES

Limited One Year Manufacturer's Warranty

Allen & Heath warrants the Allen & Heath -branded hardware product and accessories contained in the original packaging ("**Allen & Heath Product**") against defects in materials and workmanship when used in accordance with Allen & Heath's user manuals, technical specifications and other Allen & Heath product published guidelines for a period of ONE (1) YEAR from the date of original purchase by the end-user purchaser ("**Warranty Period**").

This warranty does not apply to any non-Allen & Heath branded hardware products or any software, even if packaged or sold with Allen & Heath hardware.

Please refer to the licensing agreement accompanying the software for details of your rights with respect to the use of software/firmware ("EULA").

Details of the EULA, warranty policy and other useful information can be found on the Allen & Heath website: www.allen-heath.com/legal.

Repair or replacement under the terms of the warranty does not provide right to extension or renewal of the warranty period. Repair or direct replacement of the product under the terms of this warranty may be fulfilled with functionally equivalent service exchange units. This warranty is not transferable.

This warranty will be the purchaser's sole and exclusive remedy and neither Allen & Heath nor its approved service centres shall be liable for any incidental or consequential damages or breach of any express or implied warranty of this product.

Conditions Of Warranty


The equipment has not been subject to misuse either intended or accidental, neglect, or alteration other than as described in the User Guide or Service Manual, or approved by Allen & Heath.

Any necessary adjustment, alteration or repair has been carried out by an authorised Allen & Heath distributor or agent.

The defective unit is to be returned carriage prepaid to the place of purchase, an authorised Allen & Heath distributor or agent with proof of purchase. Please discuss this with the distributor or the agent before shipping. Units returned should be packed in the original carton to avoid transit damage.

DISCLAIMER: Allen & Heath shall not be liable for the loss of any saved/stored data in products that are either repaired or replaced.

Check with your Allen & Heath distributor or agent for any additional warranty information which may apply. If further assistance is required please contact Allen & Heath Ltd.

 This product complies with the European Electromagnetic Compatibility directive 2014/30/EU and the European Low Voltage directive 2014/35/EU.

Any changes or modifications to the product not approved by Allen & Heath could void the compliance of the product and therefore the user's authority to operate it.

PL-14 User Guide

Copyright © 2016 Allen & Heath. All rights reserved.

ALLEN & HEATH

Allen & Heath Limited, Kernick Industrial Estate, Penryn, Cornwall, TR10 9LU, UK

<http://www.allen-heath.com>

Contents

1	Introduction	4
2	Front Panel	4
3	Rear Panel	5
4	Installing the PL-14.....	5
4.1	Mounting to the Face Plate	5
4.2	Safety Ground	6
4.3	Connections.....	6
4.4	Assigning Which Zone to Control.....	6
4.5	Wiring a Disable Switch (Option)	6
4.6	Wiring a Zone 2 Follow Zone 1 Switch (Option)	7
5	Configuring the PL-14	7
5.1	PL-14 Settings	7
5.2	GR Settings.....	8
5.3	Resetting the PL-14	8
5.4	PL-14 Option Menu	8
5.5	PL-14 Parameter Sequences	9
6	IR Control.....	10
6.1	Working with Pre-sets	10
7	PL-14 Diagrams.....	11



Before starting, read the Important Safety Instructions printed on the sheet supplied with the equipment. For your own safety and that of the operator, technical crew and performers, follow all instructions and heed all warnings printed on the sheet and on the equipment panels.

1 Introduction

The **PL-14** is an 'intelligent' remote controller for use with the Allen & Heath **GR3 & 4** audio zone mixers. It provides the non-technical operator with local control of the music source selection and/or audio level.

Up to two controllers may be connected, just one, one for each zone, or a single unit to simultaneously control both zones.

A menu of setup options allows the installer to configure its function to match the specific requirements of each application.

Additional switches may be wired for room combining situations and to disable the controller when the settings should not be changed.

The optional **PL-5** hand held infra-red remote controller adds wireless control, and

additional features including the store and recall of up to 4 source/level pre-sets.

The **PL-14** can be mounted into a single unit wall box using the standard face plate provided, or furniture mounted using the cutting template details given here. It interfaces with the **GR3/4** using standard CAT5 cables. The second controller daisy chains with the first for convenient single run cabling. Space is provided on the panel for custom labelling.

2 Front Panel

Source select Scroll up/down through the available music sources.

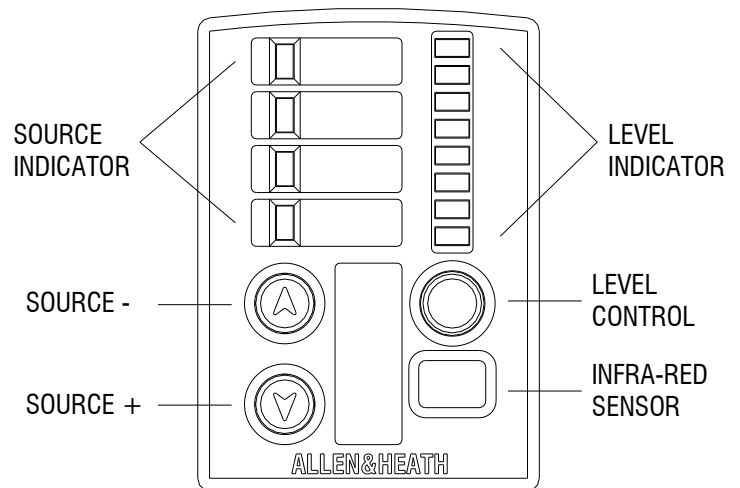
Source indicators Light green to show the selected source, red for mute.

Rotary level control Adjusts audio level in 32 steps from off to on.

Level indicator 8 LED bar to display the level.

Infra-red sensor Detects the optional **PL-5** hand held controller.

Label space Recessed areas for custom labelling.



3 Rear Panel

Face plate fixings Mount the module to the wall plate.

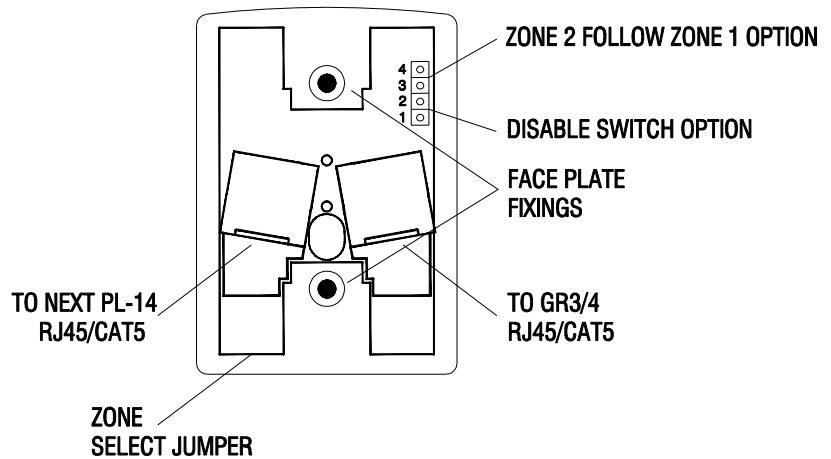
Zone select jumper Configures which zone to control.

Disable option Wire a switch to lock out the controls.

Zone 2 follow zone 1 option Wire a switch for control of both zones.

To GR3/4 RJ45 for CAT5 cable connection to GR3/4.

To next PL-14 (LINK) RJ45 for CAT5 cable connection to second PL-14 if used.



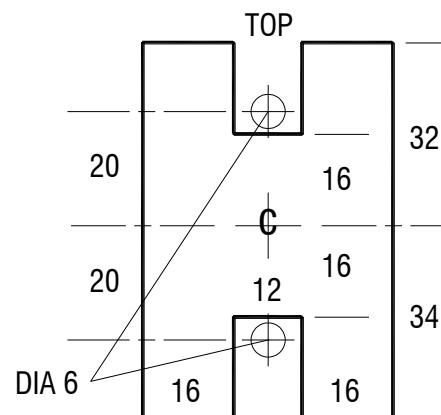
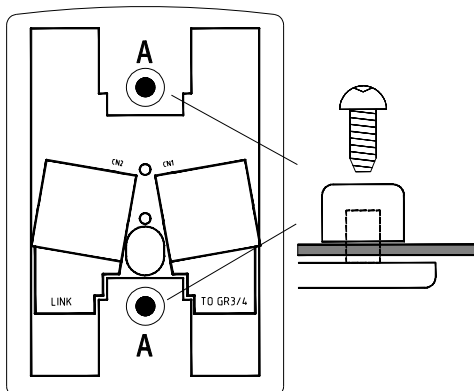
4 Installing the PL-14

4.1 Mounting to the Face Plate

Three pre-cut painted aluminium wall plates are supplied with each **PL-14**, UK (part number AA10646), EU (AA10647) or US (AA10648). A suitable back box for the UK plate can be ordered (AA5220). The module fits into an 'H' shaped cut-out in the centre of the face plate. The module is held using the two screws with plastic clamps provided (A). Unscrew these from the module first.

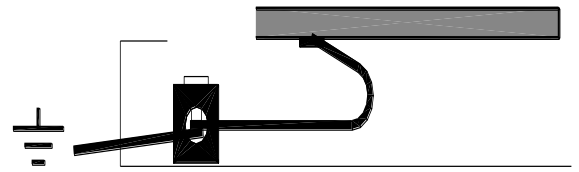
Note that the module fits the face-plate one way only.

Should a custom mounting plate be required, a template (in millimetres) is provided here. Ensure that enough space is provided for the cables.

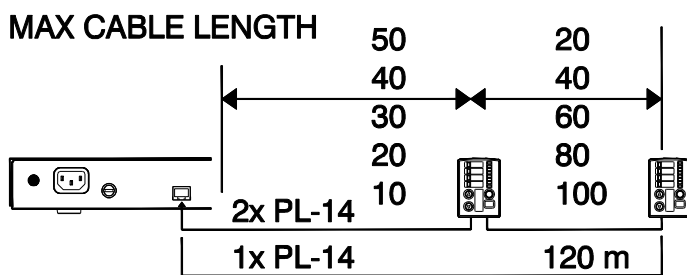


4.2 Safety Ground

Ensure that the supplied aluminium face plate (or any custom metal plate) is correctly grounded to ensure operator safety. The plate should be connected to a local safety ground. Use a ground wire or physical contact with a grounded back box.



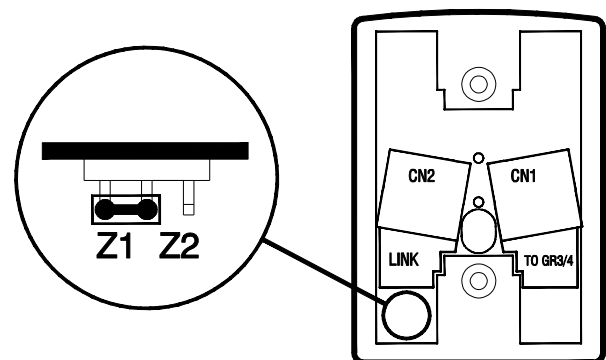
4.3 Connections



Use standard one-to-one wired CAT5 / RJ45 cables. The control of both zones are passed down a single CAT5 cable. Connect the **GR3/4 ZONE REMOTE** port to the first **PL-14** “TO GR” port (CN1). If two remotes are used, connect the first “LINK” port to the second “TO GR” port (CN1). Do not connect more than two remotes. Note the maximum cable length from the diagram shown here. Use unbooted plugs to ensure the cables can fit into the back box. Allow enough service loop for module removal.

4.4 Assigning Which Zone to Control

Set the module jumper plug to the Z1 (zone 1-Default) or Z2 (zone 2) position. Do this while the remote power is turned off. If two remotes are used they must not be set to control the same zone. The first remote in the chain may be set to either Z1 or Z2.



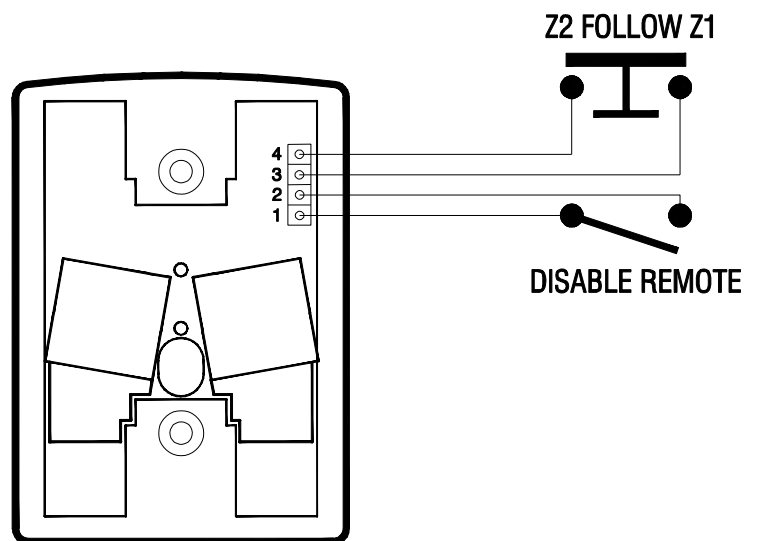
4.5 Wiring a Disable Switch (Option)

Solder an external switch direct to the header or fit terminal plug (not provided) to disable the remote and protect the settings, for example when the room should not be used. Such a switch could be located near the **GR3/4** or in

the manager’s office. Each remote can have its own disable switch. When disabled, the 4 source indicators light red. (See Section 4.6 diagram).

4.6 Wiring a Zone 2 Follow Zone 1 Switch (Option)

Solder an external switch direct to the header or fit terminal plug (not provided) to change the operating mode so that the zone 1 remote controls both zone 1 and zone 2. This is useful when two rooms are used independently or combined into one on some occasions by opening a divider screen. When combined, the zone 1 remote controls the speakers simultaneously in both rooms. **The switch must be connected to the zone 1 remote.** Connect the wires to a manually operated switch or a micro-switch that changes state when the divider screen is opened or closed. When the screen is open the switch contacts should be closed. Note that setup menu option 1 may be used instead of the switch to permanently set this mode if the one remote always controls both zones. Option 8 determines whether follow affects the level and source, or source only. If source only, the level can be independently set for each zone using both remotes. If level and source, the zone 2 remote is fully disabled.



5 Configuring the PL-14

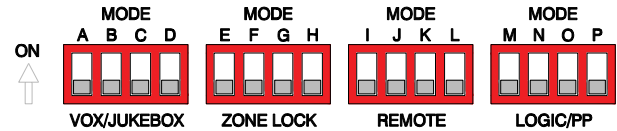
5.1 PL-14 Settings

Default setting is to select between music sources 1, 2 and 3, to power up with the last settings, the **PL-5** pre-set store and recall functions disabled, and the zone 2 follow zone 1 function affecting both source and level. A good starting point is to reset the remote before configuration. Refer to the reset and option menu instructions later in this guide.

Note: On power up, the **PL-14** firmware version number is displayed briefly on one of the 8 level indicators.

5.2 GR Settings

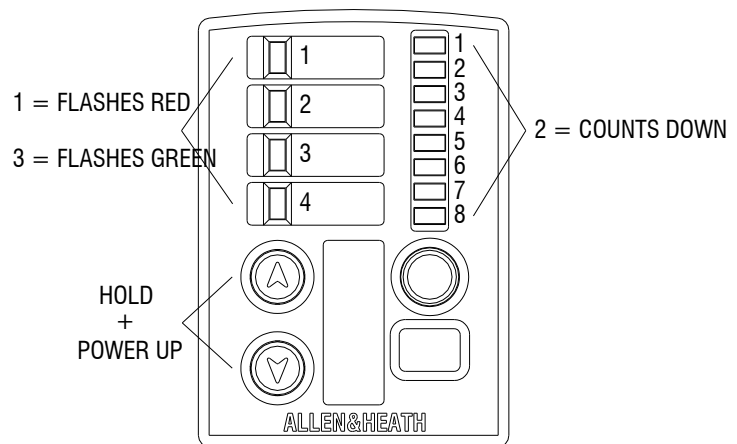
The **GR3/4** can be configured to operate in many different ways. Check that its rear panel DIP switches are correctly set for your application. Make sure the remote enable switches IJKL are set according to which zones you want the **PL-14** units to control, and whether they should work with just the level or level and source selection. Refer to the individual user guides for further information.



- I Z1 Volume Remote Enable
- J Z1 Stereo Input Remote Enable
- K Z2 Volume Remote Enable
- L Z2 Stereo Input Remote Enable

5.3 Resetting the PL-14

To reset the controller to the default settings shown in the table below, press and hold the ∇ (down) and \triangle (up) keys while powering up the system. Do this by switching on the **GR3/4** or by plugging in the **PL-14** CAT5 cable "TO GR" connection while the **GR3/4** is on. Keep the key pressed while the 4 source indicators flash red, the 8 level indicators count down one at a time, and finally the source indicators flash green to confirm the reset. Releasing the keys before the sequence finishes cancels the reset.



5.4 PL-14 Option Menu

Access using the front panel keys.

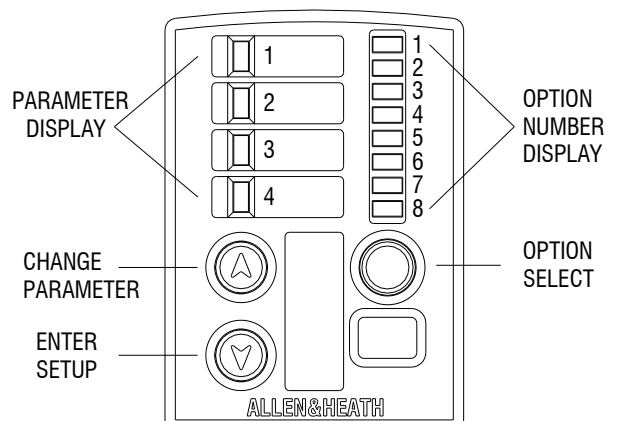
Enter and exit setup Press and hold the ∇ (down) key for 4 seconds to enter setup mode. The 4 source indicators light orange until an option is selected by turning the rotary.

Keep the ∇ key held down while changing the settings. To save the settings and return to normal operating mode release the key.

Option select Turn the rotary control to scroll through the 8 available options. The current option number is displayed on the LED indicator bar above.

Parameter display The current setting for the selected option is displayed on the 4 LED indicators.

Change parameter While holding the ∇ (down) key, tap the \triangle (up) key to cycle through the available parameters. These are detailed in the table in section 4.5.

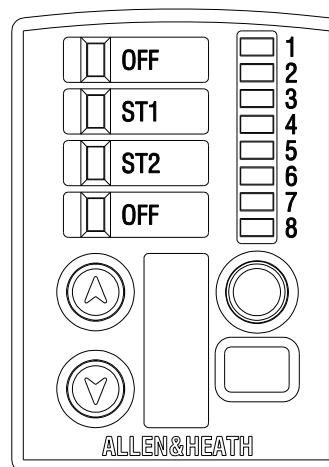


5.5 PL-14 Parameter Sequences

OPTION NUMBER DISPLAY	PARAMETER DESCRIPTION	PARAMETER VALUE (DEFAULTS RED)	PARAMETER DISPLAY LED			
			LED 1	LED 2	LED 3	LED 4
LED 1	ZONE 2 FOLLOW ZONE 1	OFF ON	<input checked="" type="checkbox"/>	<input type="checkbox"/>	<input type="checkbox"/>	<input type="checkbox"/>
LED 2	SOURCE TO SELECT	1,2,3 2,3,4 2,3** ALL OFF 1,2,3,4*	<input type="checkbox"/>	<input type="checkbox"/>	<input type="checkbox"/>	<input type="checkbox"/>
LED 3	SOURCE OFF POSITION	OFF ON	<input checked="" type="checkbox"/>	<input type="checkbox"/>	<input type="checkbox"/>	<input type="checkbox"/>
LED 4	POWER UP DEFAULT	LAST OFF PRESET	<input type="checkbox"/>	<input checked="" type="checkbox"/>	<input type="checkbox"/>	<input type="checkbox"/>
LED 5	POWER UP PRESET	1 2 3 4	<input type="checkbox"/>	<input type="checkbox"/>	<input type="checkbox"/>	<input type="checkbox"/>
LED 6	PL-5 PRESET RECALL	OFF ON	<input checked="" type="checkbox"/>	<input type="checkbox"/>	<input type="checkbox"/>	<input type="checkbox"/>
LED 7	PL-5 PRESET STORE	OFF ON	<input checked="" type="checkbox"/>	<input type="checkbox"/>	<input type="checkbox"/>	<input type="checkbox"/>
LED 8	FOLLOW MODE	SOURCE SOURCE & LEVEL	<input type="checkbox"/>	<input type="checkbox"/>	<input type="checkbox"/>	<input type="checkbox"/>

Note: *The PL-14 ships with sources 1 to 3 set as the default configuration. When connected to the GR4 it will be necessary to enable all 4 sources if all ST inputs are being used. Follow the instructions in section 5.4 above to enter programming mode and use the above table to enable the correct sources.

**The PL-14 source mapping differs when using the GR3. ST1 is mapped to LED 2 and ST3 to LED 3. Therefore, when connected to the GR3 it is recommended that the LED 2 & 3 option is enabled. Follow the instructions in section 5.4 above to enter programming mode and use the above table to enable the correct sources. On completion of the above the PL-14 will have the source assignment as shown in the following diagram.

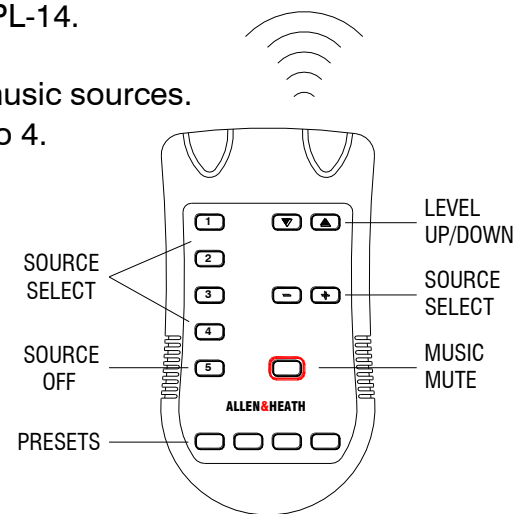


**GR3 Source assignment after configuration

6 IR Control

The PL-5 is an optional extra Infra-red remote controller for the PL-14. The below highlights the user controls for the remote controller.

- **Source select keys** Scroll up/down through the available music sources.
- **Source keys** Direct selection of available music sources 1 to 4.
- **Source off key** De-selects all sources.
- **Level keys** Adjust the level up or down.
- **Music mute key** Silences the selected source.
- **Pre-set keys** Store and recall up to 4 pre-sets of level and source selection.



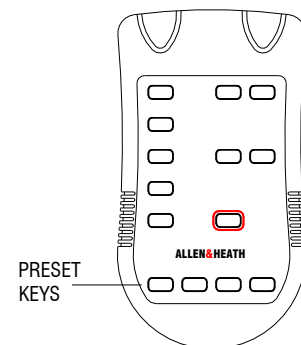
6.1 Working with Pre-sets

The optional **PL-5** infra-red hand-held controller adds the pre-sets function. Up to 4 level and source selection combinations may be stored in the **PL-14** memory. This is convenient for quick recall of settings for regular events. The installer can store these during installation, then use menu option 7 to disable store to prevent them being overwritten by the operator. To disable pre-set recall use menu option 6.

To store a pre-set Select the required source and level. Hold down the required **PL-5** pre-

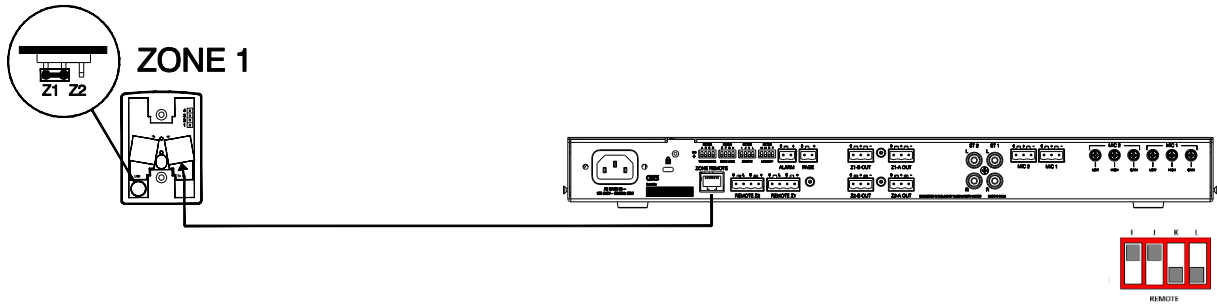
set key for 4 seconds. The **PL-14** source indicators all flash green to confirm the store.

To recall a pre-set Briefly press and release the required **PL-5** pre-set key.

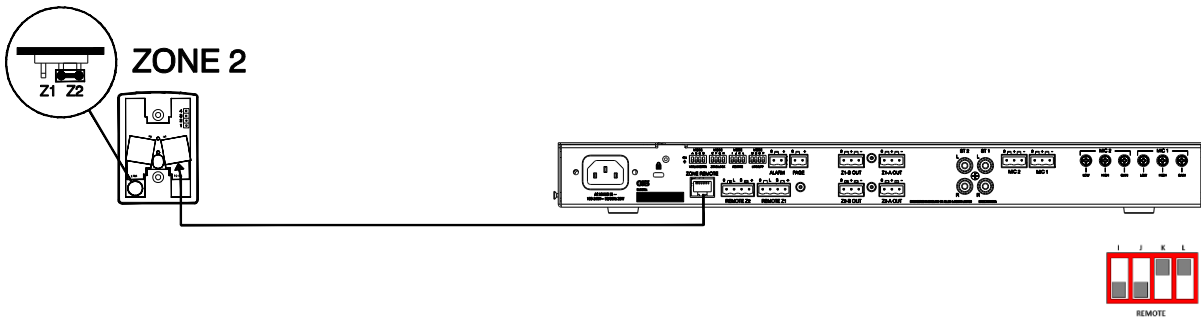


7 PL-14 Diagrams

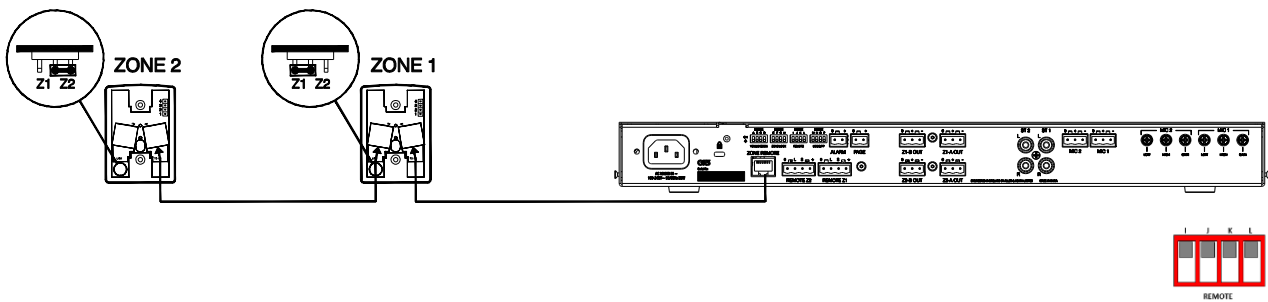
Using one **PL-14** to control Zone 1



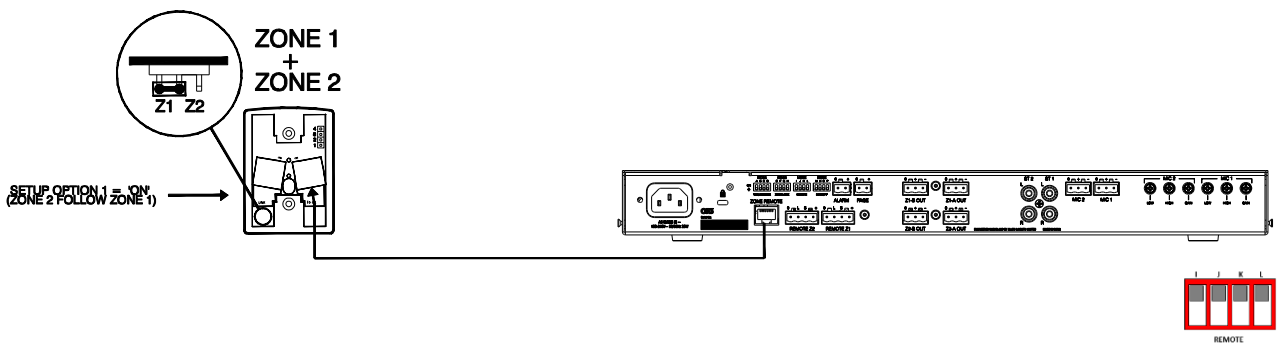
Using one **PL-14** to control Zone 2



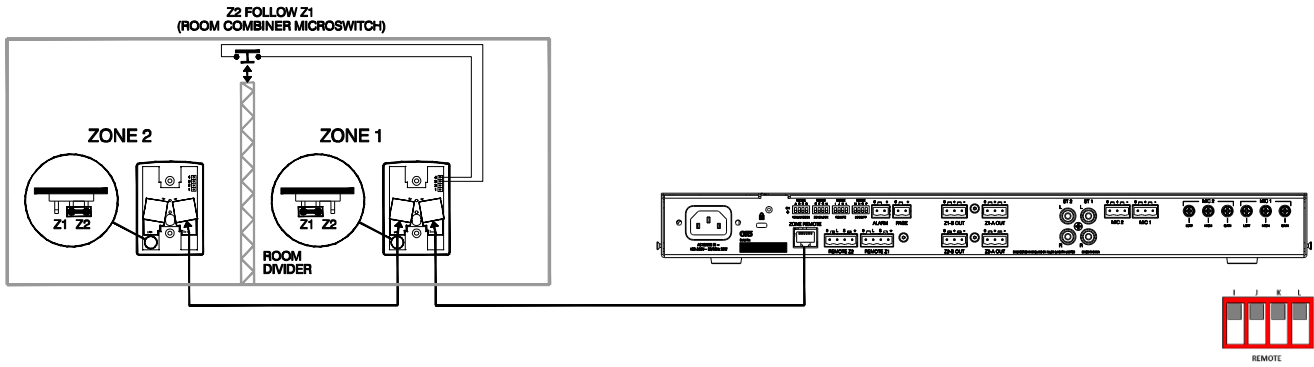
Using two **PL-14's** to control Zone 1 & 2



Using one **PL-14** remote to control zone 1 and zone 2 simultaneously



Using two PL-14 remotes with room combining



Wire the room divider switch to the zone 1 remote.

Check that menu option 1 is set to OFF on both remotes.

Check that menu option 8 is set the same on both remotes.

Option 8 = source+level + zone 1 remote controls both, zone 2 turns off.

Option 8 = source only = zone 1 controls both sources,

Wiring disable switches to turn off the PL-14 local control

