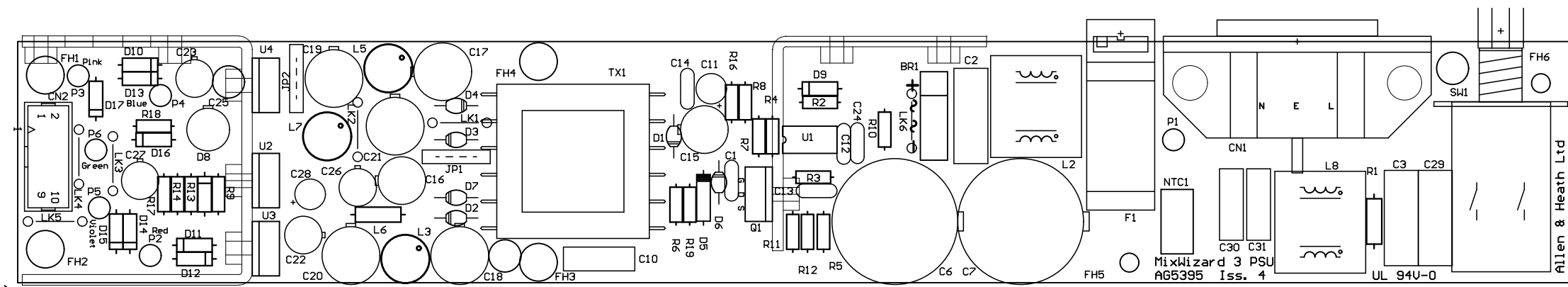
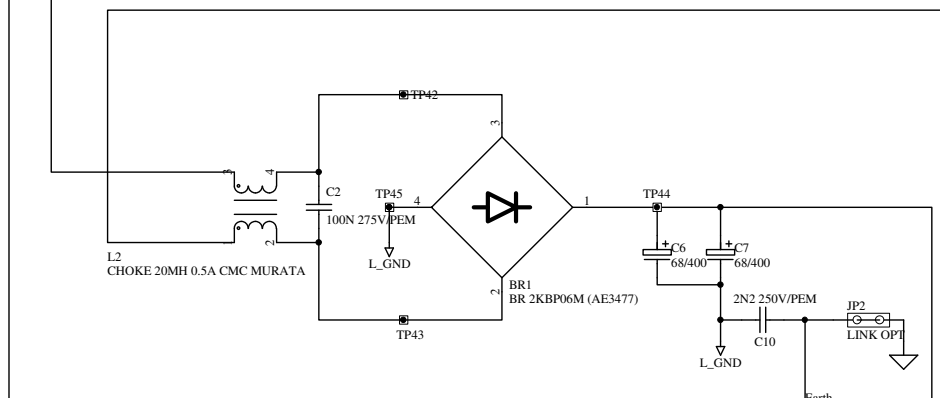
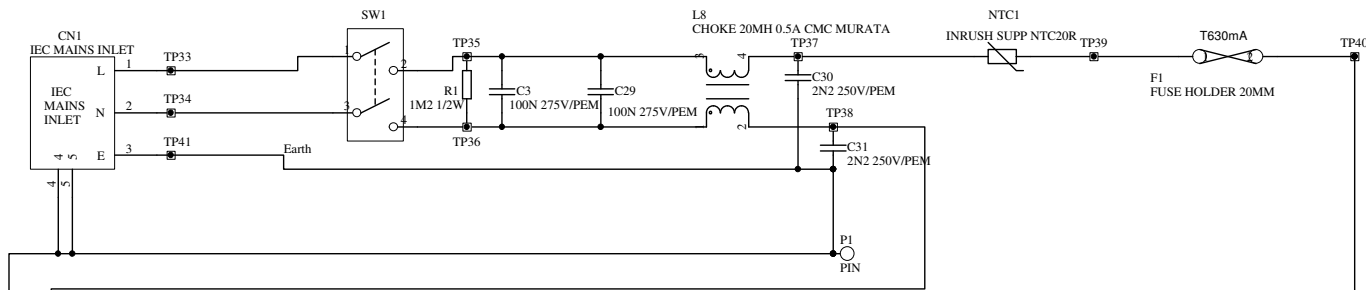


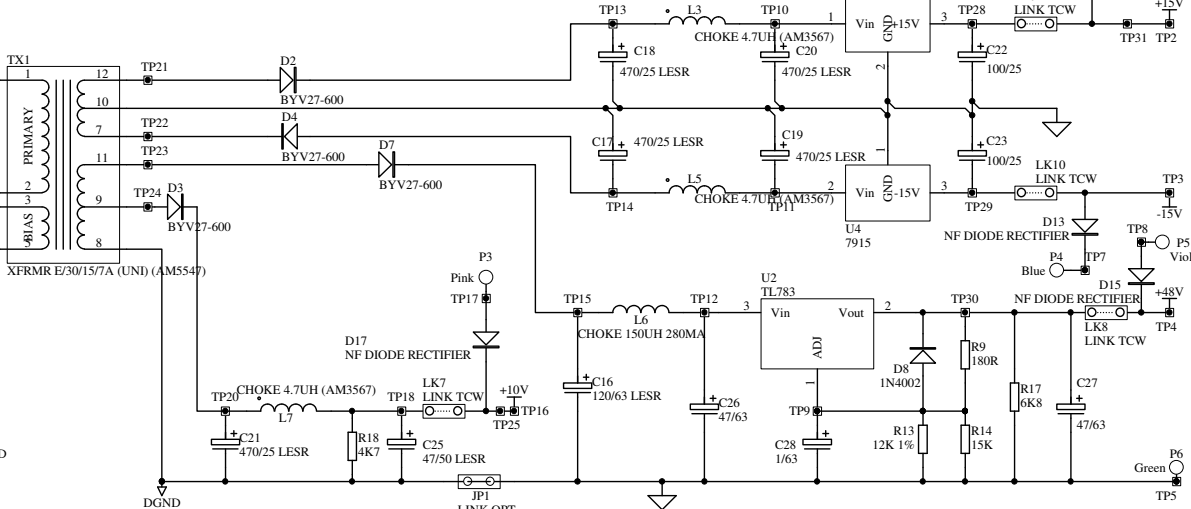
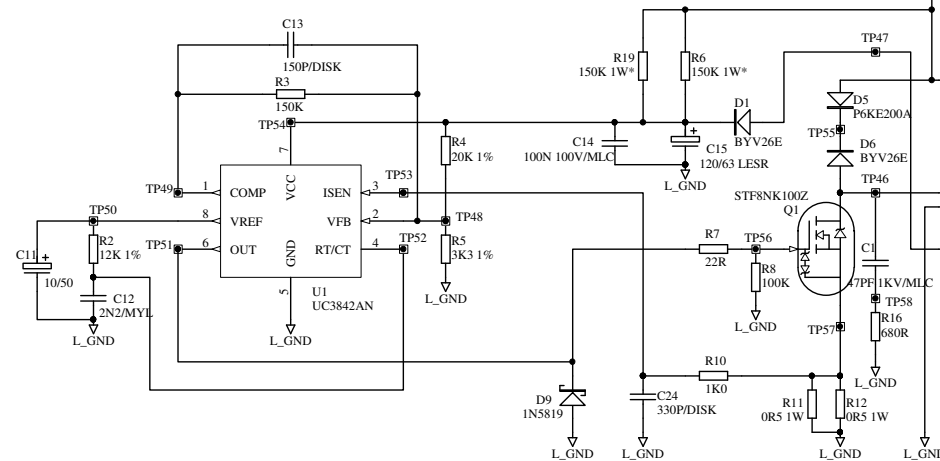
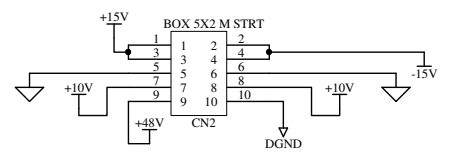
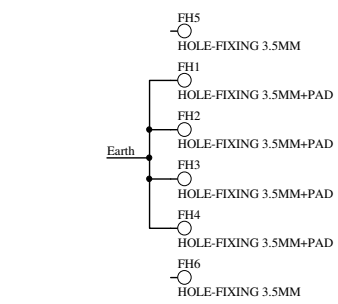
Designator	Description	A&H PART
	AG5395_5_004_152_W412_16_PSU	
BR1	BRIDGE 2KBP06M (AE3477)	AE3477
C1	CAPACITOR MULTILAYER CERAMIC 47PF 1KV (AF3075)	AF3075
C2	CAPACITOR METALISED POLYESTER 100NF 275V X2 (AF3073)	AF3073
C3	CAPACITOR METALISED POLYESTER 100NF 275V X2 (AF3073)	AF3073
C6	CAPACITOR ELECTROLYTIC 68uF 400V 105degC (AF5616)	AF5616
C7	CAPACITOR ELECTROLYTIC 68uF 400V 105degC (AF5616)	AF5616
C10	CAPACITOR METALISED POLYESTER 2N2 250V Y2/X1 (AF3071)	AF3071
C11	CAPACITOR ELECTROLYTIC 10uF 50V (AF0214)	AF0214
C12	CAPACITOR MYLAR 2N2 100V 10% (AF0151)	AF0151
C13	CAPACITOR DISK CERAMIC 150PF 100V (AF3972)	AF3972
C14	CAPACITOR MULTILAYER CERAMIC 100NF 100V (AF2689)	AF2689
C15	CAPACITOR ELECTROLYTIC 120uF 63V LESR (AF3464)	AF3464
C16	CAPACITOR ELECTROLYTIC 120uF 63V LESR (AF3464)	AF3464
C17	CAPACITOR ELECTROLYTIC 470uF 25V LESR (AF3462)	AF3462
C18	CAPACITOR ELECTROLYTIC 470uF 25V LESR (AF3462)	AF3462
C19	CAPACITOR ELECTROLYTIC 470uF 25V LESR (AF3462)	AF3462
C20	CAPACITOR ELECTROLYTIC 470uF 25V LESR (AF3462)	AF3462
C21	CAPACITOR ELECTROLYTIC 470uF 25V LESR (AF3462)	AF3462
C22	CAPACITOR ELECTROLYTIC 100uF 25V (AF0221)	AF0221
C23	CAPACITOR ELECTROLYTIC 100uF 25V (AF0221)	AF0221
C24	CAPACITOR DISK CERAMIC 330PF 63V (AF0105)	AF0105
C25	CAPACITOR ELECTROLYTIC 47uF 50V LESR (AF5000)	AF5000
C26	CAPACITOR ELECTROLYTIC 47uF 63V (AF0217)	AF0217
C27	CAPACITOR ELECTROLYTIC 47uF 63V (AF0217)	AF0217
C28	CAPACITOR ELECTROLYTIC 1uF 63V (AF0210)	AF0210
C29	CAPACITOR METALISED POLYESTER 100NF 275V X2 (AF3073)	AF3073
C30	CAPACITOR METALISED POLYESTER 2N2 250V Y2/X1 (AF3071)	AF3071
C31	CAPACITOR METALISED POLYESTER 2N2 250V Y2/X1 (AF3071)	AF3071
CN1	IEC MAINS INLET (AL3179)	AL3179
CN2	Connector BOX,Molex Type 0.1" Pitch 5x2 pins (AL4662)	AL4662
D1	DIODE BYV26E 1KV 1A (AE3470)	AE3470
D2	DIODE BYV27-600 600V 2A (AE3469)	AE3469
D3	DIODE BYV27-600 600V 2A (AE3469)	AE3469
D4	DIODE BYV27-600 600V 2A (AE3469)	AE3469
D5	DIODE P6KE200A TAPED (AE3471)	AE3471
D6	DIODE BYV26E 1KV 1A (AE3470)	AE3470
D7	DIODE BYV27-600 600V 2A (AE3469)	AE3469
D8	DIODE RECTIFIER 1N4002 (AE0005)	AE0005
D9	1N5819 SCHOTTKY DIODE (AE3914)	AE3914
D12	DIODE RECTIFIER NOT FITTED	NO PART
D13	DIODE RECTIFIER NOT FITTED	NO PART
D15	DIODE RECTIFIER NOT FITTED	NO PART
D17	DIODE RECTIFIER NOT FITTED	NO PART
F1	FUSE HOLDER 20mm (AL3178)	AL3178
HS1	HEATSINK WZ3 PSU (AA5487)	AA5487
HS2	HEATSINK WZ3 PSU (AA5675)	AA5675
JP1	LINK ASSIGNMENT TC WIRE ,AH0070	AH0070
JP2	LINK ASSIGNMENT TC WIRE ,AH0070	AH0070

L2	CHOKE 20mH 0.5A CMC MURATA (AM5653)	AM5653
L3	CHOKE 4.7UH (AM3567)	AM3567
L5	CHOKE 4.7UH (AM3567)	AM3567
L6	INDUCTOR 150uH 280MA (AM2970)	AM2970
L7	CHOKE 4.7UH (AM3567)	AM3567
L8	CHOKE 20mH 0.5A CMC MURATA (AM5653)	AM5653
LK1	TC WIRE LINK ,AH0070	AH0070
LK2	TC WIRE LINK ,AH0070	AH0070
LK3	TC WIRE LINK ,AH0070	AH0070
LK4	TC WIRE LINK ,AH0070	AH0070
LK5	TC WIRE LINK ,AH0070	AH0070
LK6	TC WIRE LINK ,AH0070	AH0070
LK7	TC WIRE LINK ,AH0070	AH0070
LK8	TC WIRE LINK ,AH0070	AH0070
LK9	TC WIRE LINK ,AH0070	AH0070
LK10	TC WIRE LINK ,AH0070	AH0070
NTC1	INRUSH SUPPRESSOR THERMISTOR S 236/20/M NTC20R (AE3478)	AE3478
P3	WIRE CRIMP PIN	NO PART
Q1	TRANSISTOR MOSFET N CHANNEL FAST POWER(1KV) STF8NK100Z (AE7610)	AE7610
R1	RESISTOR METAL FILM 1M2 1/2W 5% (AC3691)	AC3691
R2	RESISTOR METAL FILM 12K 1/4W 1% (AC0360)	AC0360
R3	RESISTOR CARBON 150K 1/4W 5% (AC0068)	AC0068
R4	RESISTOR METAL FILM 20K 1/4W 1% (AC3997)	AC3997
R5	RESISTOR METAL FILM 3K3 1/4W 1% (AC8120)	AC8120
R6	RESISTOR PR01 150K 1W (AC5895)	AC5895
R7	RESISTOR CARBON 22R 1/4W 5% (AC0004)	AC0004
R8	RESISTOR CARBON 100K 1/4W 5% (AC0064)	AC0064
R9	RESISTOR CARBON 180R 1/4W 5% (AC0015)	AC0015
R10	RESISTOR CARBON 1K0 1/4W 5% (AC0031)	AC0031
R11	RESISTOR WIRE WOUND 0R5 1W (AC5757)	AC5757
R12	RESISTOR WIRE WOUND 0R5 1W (AC5757)	AC5757
R13	RESISTOR METAL FILM 12K 1/4W 1% (AC0360)	AC0360
R14	RESISTOR CARBON 15K 1/4W 5% (AC0048)	AC0048
R16	RESISTOR CARBON 680R 1/4W 5% (AC0029)	AC0029
R17	RESISTOR CARBON 6K8 1/4W 5% (AC0101)	AC0101
R18	RESISTOR CARBON 4K7 1/4W 5% (AC0044)	AC0044
R19	RESISTOR PR01 150K 1W (AC5895)	AC5895
SCREW1	SCREW M3X6 PAN TORX BK (AB0072)	AB0072
SCREW2	SCREW M3X6 PAN TORX BK (AB0072)	AB0072
SCREW3	SCREW M3X6 PAN TORX BK (AB0072)	AB0072
SCREW4	SCREW M3X6 PAN TORX BK (AB0072)	AB0072
SW1	SW DPST SOLTEAM MAINS PS3-22-P3AV (DO NOT USE)(AL3338)	AL3338
TX1	TRANSFORMER E30/15/7 UNIVERSAL (AM5547)	AM5547
U1	IC UC3842AN SMPS (AE3473)	AE3473
U2	TL783 VOLTAGE REGULATOR (AE0214)	AE0214
U3	7815 15V REGULATOR (AE0047)	AE0047
U4	7915 -15V REGULATOR (AE0048)	AE0048





NOTE:
 D12,13,15,17 ARE NOT FITTED
 LK9 REPLACES D11
 LK10 REPLACES D10
 LK8 REPLACES D14
 LK7 REPLACES D16



ALLEN&HEATH
 Kernick Industrial Estate,
 Penryn, Cornwall,
 England. TR10 9LU
 Tel: +44 (0)8707 556250
 Fax: +44 (0)8707 556251

ISSUE	BY	DATE	CHK BY
1	AAT	24/2/04	
2	IMcB	8/4/04	
3	IMcB	11/6/04	
4	AAT	04-10-04	
4.1	AAT	14-10-05	
4.2	AAT	14-05-09	
4.3	NB	17/8/11	

LK1 LINK TCW	LK4 LINK TCW	ATE1 HOLE-ATE	AIP1 HOLE-AI	AIP2 HOLE-AI	AIP3 HOLE-AI	AIP4 HOLE-AI	SCREW1 SCREW M3X6 PAN TORX BK	SCREW2 SCREW M3X6 PAN TORX BK	SCREW3 SCREW M3X6 PAN TORX BK	SCREW4 SCREW M3X6 PAN TORX BK
LK2 LINK TCW	LK5 LINK TCW	ATE2 HOLE-ATE	ATE3 HOLE-ATE	HS2 HEATSINK W3-PSU(AA625) HEATSINK (AA5487)	HS1 HEATSINK (AA5487)					
LK3 LINK TCW	LK6 LINK TCW									

TITLE: MixWizard 3 PSU
PAGE:
DRG No: C5395 **ISSUE: 4.3** **SHEET: 1 OF 1**
 PRINTED: 14:35:04 06/11/2012

a b c d e

A B C D E F G H