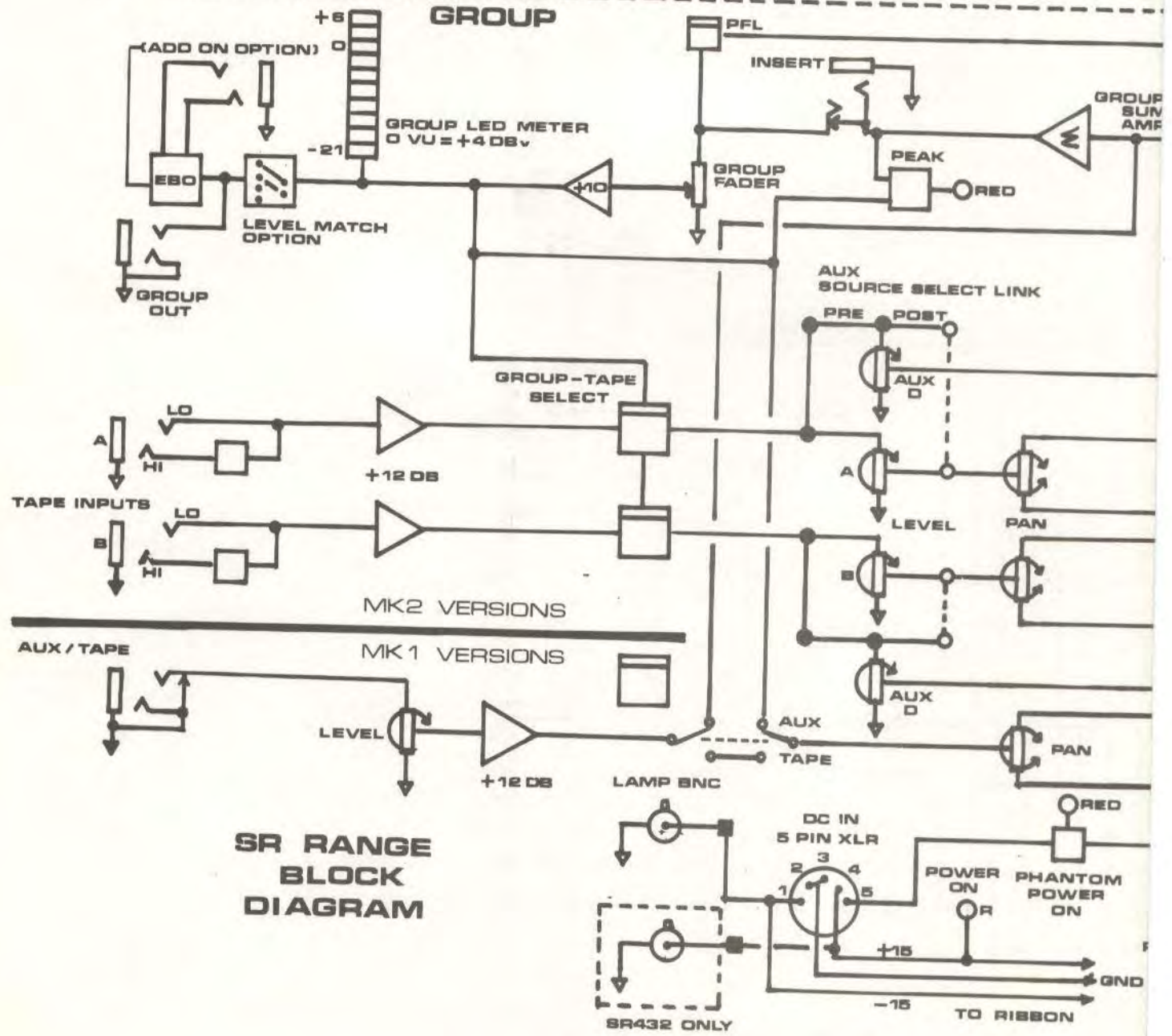
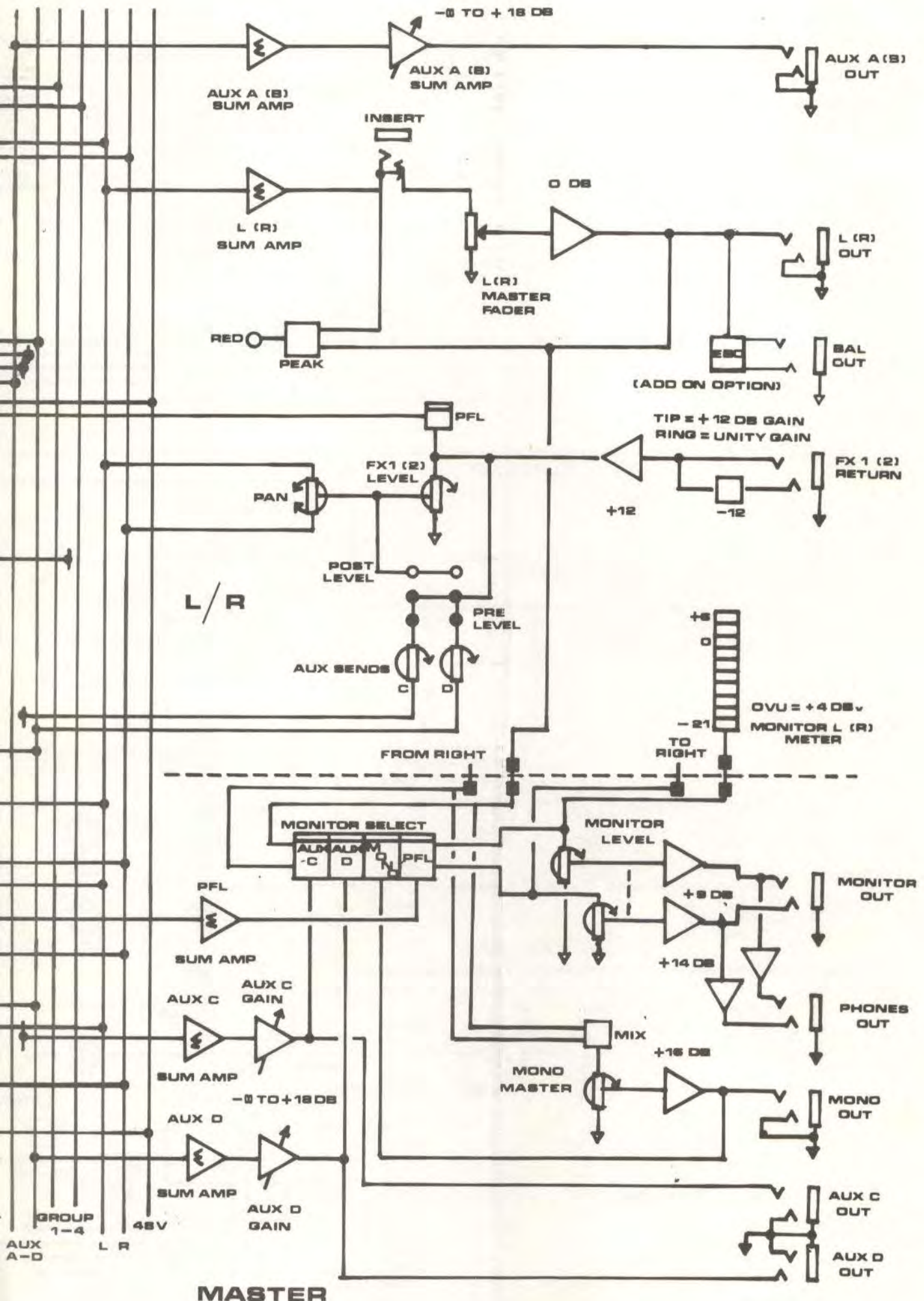


**INPUT**

**GROUP**



**SR RANGE  
BLOCK  
DIAGRAM**



**MASTER**