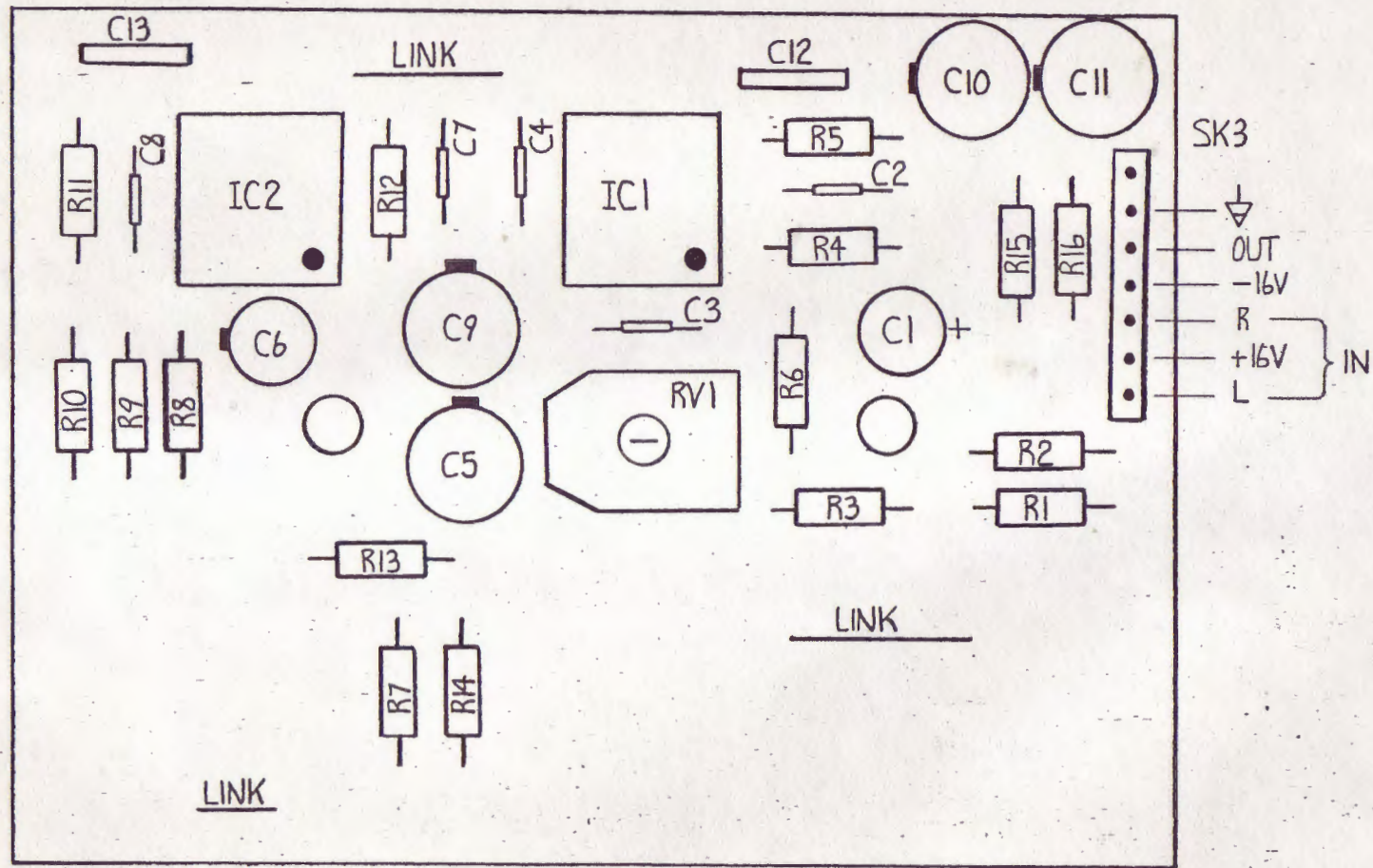


SYNCON B MONO SUMMING AMPLIFIER PCB CCTS

CDI-12-83





GENERAL ARRANGEMENT

SYNCON B MONO SUMMING AMPLIFIER PCB

CD 1-12-83