

- BO1 PCB BREAKOUT S
- BO2 PCB BREAKOUT S
- BO3 PCB BREAKOUT S
- BO4 PCB BREAKOUT S
- BO5 PCB BREAKOUT S
- BO6 PCB BREAKOUT S
- BO7 PCB BREAKOUT S
- BO8 PCB BREAKOUT S
- BO9 PCB BREAKOUT S
- BO10 PCB BREAKOUT S
- BO11 PCB BREAKOUT S
- BO12 PCB BREAKOUT S
- BO13 PCB BREAKOUT S
- BO14 PCB BREAKOUT S
- BO15 PCB BREAKOUT S
- BO16 PCB BREAKOUT S
- BO17 PCB BREAKOUT S
- BO18 PCB BREAKOUT S
- BO19 PCB BREAKOUT S
- BO20 PCB BREAKOUT S

C6763_3P1
C6763_3P1.Sch

C6763_3P2
C6763_3P2.Sch

C6763_3P3
C6763_3P3.Sch

FID-P1 FIDUCIAL
FID-P2 FIDUCIAL
FID-P3 FIDUCIAL

ALLEN&HEATH

Kemick Industrial Estate,
Penryn, Cornwall
England, TR10 9LU

Tel: +44 (0)8707 556250
Fax: +44 (0)8707 556251

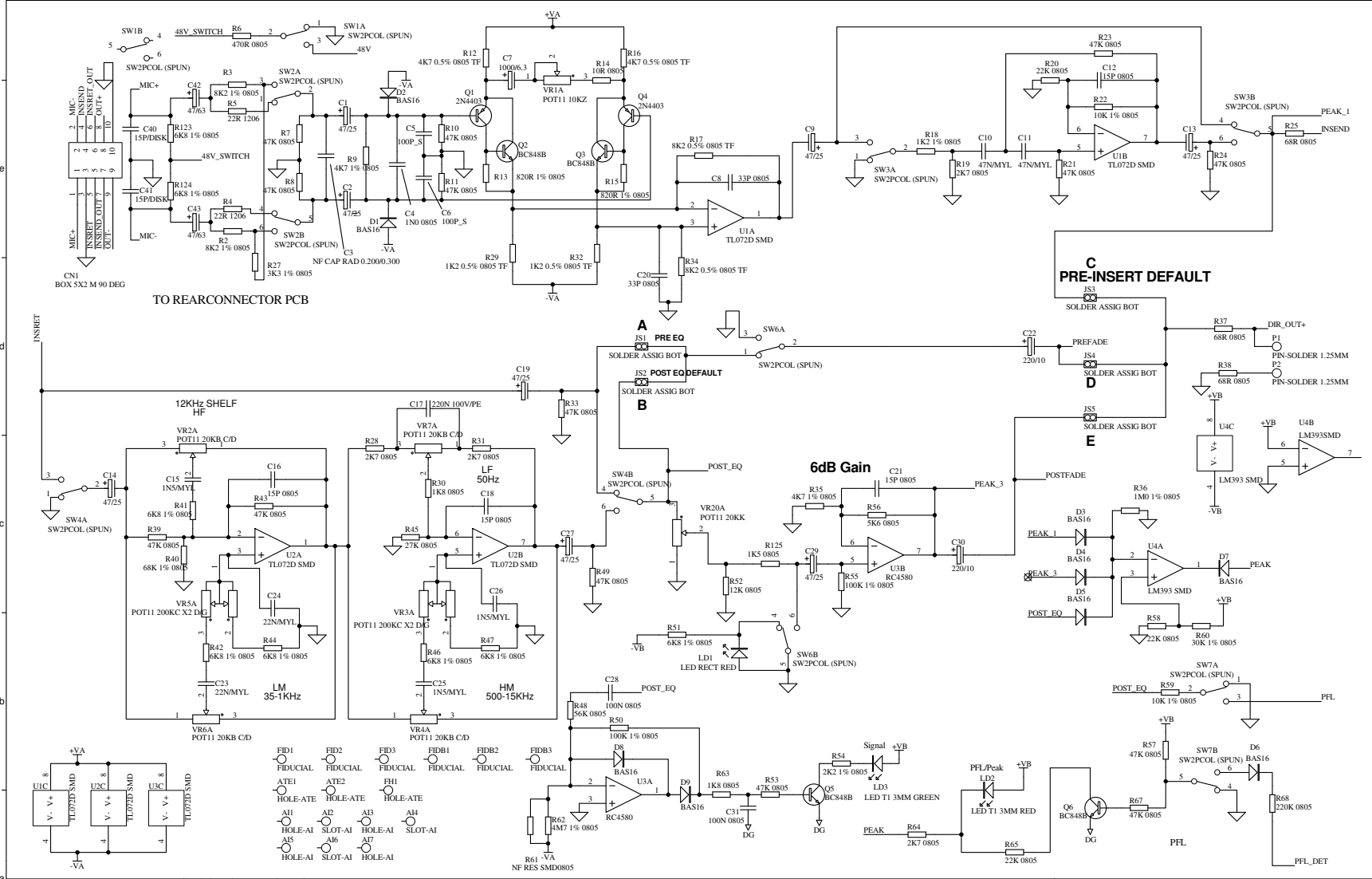
ISSUE	BY	DATE	CHK BY
A	GWR	01/07/06	XXX
B	ATT	01/07/06	XXX
1	GWR	08/12/06	XXX
2	GWR	31-01-07	XXX
3	GWR	09/03/07	XXX

FILE: C6763_3.Sch

PRINTED: 15:09:09 2-May-2007

TITLE: W312M MONO INPUT
PAGE:

DRG No: C6763 ISSUE: 3 SHEET: 0 OF 3

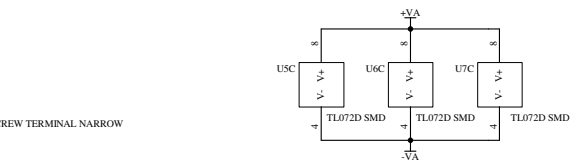
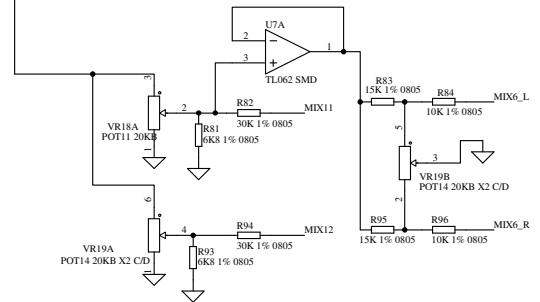
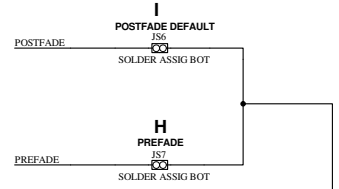
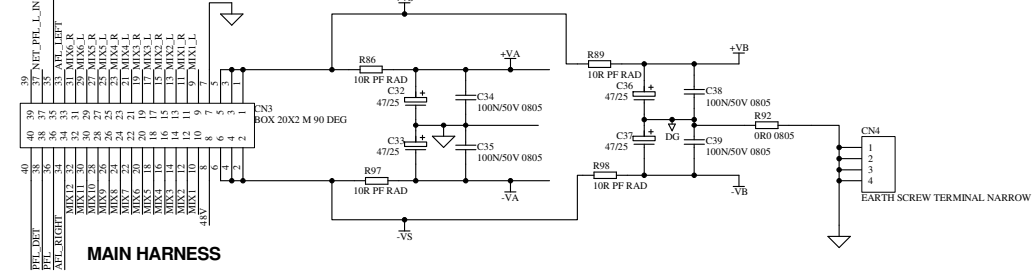
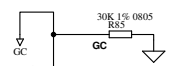
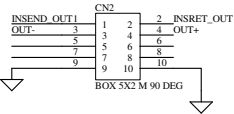
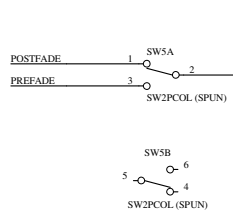


ALLEN&HEATH
 Kemick Industrial Estate,
 Penryn, Cornwall
 England, TR10 9LU
 Tel: +44 (0)8707 556250
 Fax: +44 (0)8707 556251

ISSUE	BY	DATE	CHK BY
A	GWR	01/07/06	XXX
B	ATT	05/10/06	XXX
1	GWR	08/12/06	XXX
2	GWR	31-01-07	XXX
3	GWR	09/03/07	XXX

POT11 10KZ	VR2B	POT11 200KC X2 DG	VR4B	POT11 200KC X2 DG	VR6B	POT11 20K C/D	VR20B
VR1B	POT11 20K C/D	VR3B	POT11 20K C/D	VR5B	POT11 20K C/D	VR7B	POT11 10KZ
VR1A	VR2A	VR3A	VR4A	VR5A	VR6A	VR7A	VR8A
VR1B	VR2B	VR3B	VR4B	VR5B	VR6B	VR7B	VR8B

FILE: C6763_3P1.Sch
 PRINTED: 15:09:10 2-May-2007
 TITLE: W312M MONO INPUT
 PAGE:
 DRG No: C6763 ISSUE: 3 SHEET: 1 OF 3



ALLEN & HEATH
 Kemick Industrial Estate,
 Penryn, Cornwall
 England, TR10 9LU
 Tel: +44 (0)8707 556250
 Fax: +44 (0)8707 556251

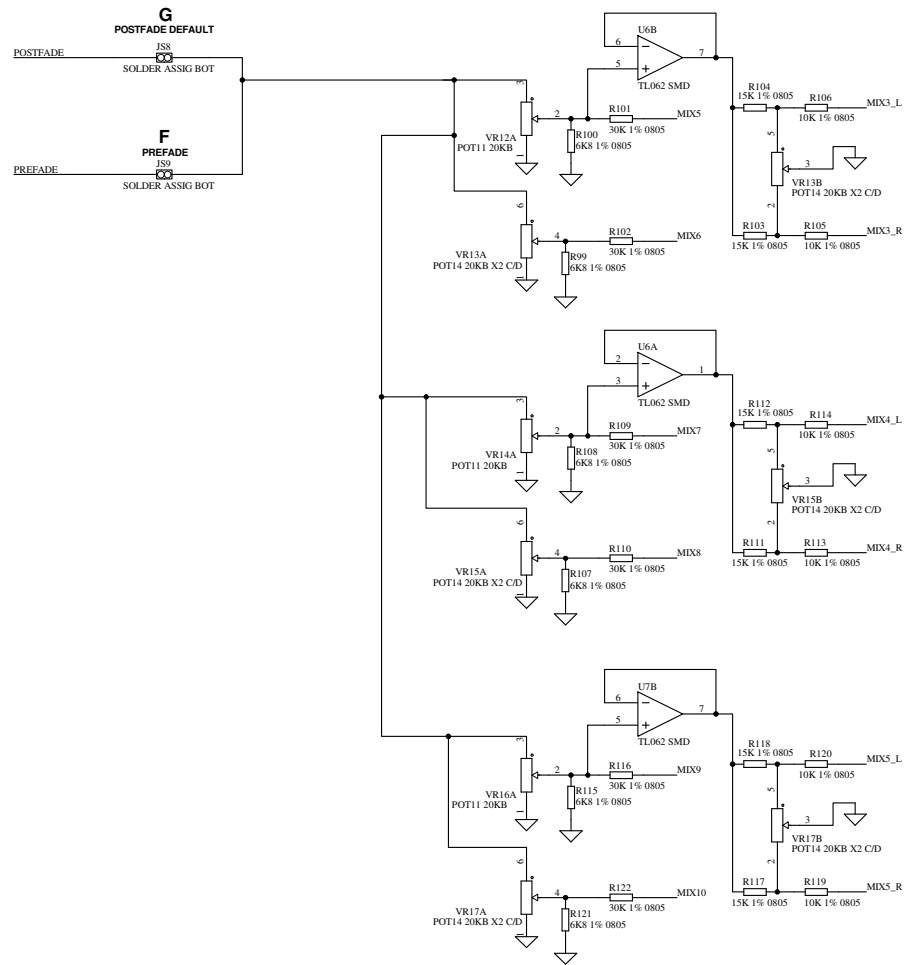
ISSUE	BY	DATE	CHK BY
A	GWR	01/07/06	XXX
B	ATT	05/10/06	XXX
1	GWR	08/12/06	XXX
2	GWR	31-01-07	XXX
3	GWR	09/03/07	XXX

VR8B	POT14 20KB X2 C/D	VR10B	POT14 20KB X2 C/D	VR18B	POT14 20KB X2 C/D
VR11B	POT14 20KB X2 C/D	VR13B	POT14 20KB X2 C/D	VR15B	POT14 20KB X2 C/D
VR17B	POT14 20KB X2 C/D	VR19B	POT14 20KB X2 C/D		

FILE: C6763_3P2.Sch

TITLE: **W312M MONO INPUT**
 PAGE:
 DRG No: **C6763** ISSUE: **3** SHEET: **2 OF 3**

PRINTED: 15:09:10 2-May-2007



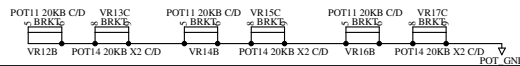
ALLEN&HEATH

Kemick Industrial Estate,
Penryn, Cornwall,
England, TR10 9LU

Tel: +44 (0)8707 556250
Fax: +44 (0)8707 556251

ISSUE	BY	DATE	CHK BY
A	GWR	01/07/06	XXX
B	ATF	05/10/06	XXX
1	GWR	08/12/06	XXX
2	GWR	31-01-07	XXX
3	GWR	09/03/07	XXX

FILE: C6763_3P3.Sch



PRINTED: 15:09:10 2-May-2007

TITLE: W312M MONO INPUT
PAGE:

DRG No: C6763 ISSUE: 3 SHEET: 3 OF 3