

U\_C5398\_3  
C5398\_3.2P1.SchDoc

U\_C5398\_3  
C5398\_3.2P2.SchDoc

U\_C5398\_3  
C5398\_3.2P3.SchDoc

- BO1  
PCB BREAKOUT S
- BO2  
PCB BREAKOUT S
- BO3  
PCB BREAKOUT S
- BO4  
PCB BREAKOUT S
- BO5  
PCB BREAKOUT S
- BO6  
PCB BREAKOUT S
- BO7  
PCB BREAKOUT S
- BO8  
PCB BREAKOUT S
- BO9  
PCB BREAKOUT S
- BO1\_1  
PCB BREAKOUT S
- BO2\_1  
PCB BREAKOUT S
- BO3\_1  
PCB BREAKOUT S
- BO4\_1  
PCB BREAKOUT S
- BO5\_1  
PCB BREAKOUT S
- BO6\_1  
PCB BREAKOUT S
- BO7\_1  
PCB BREAKOUT S
- BO8\_1  
PCB BREAKOUT S
- BO9\_1  
PCB BREAKOUT S
- BO1\_2  
PCB BREAKOUT S
- BO2\_2  
PCB BREAKOUT S
- BO3\_2  
PCB BREAKOUT S
- BO4\_2  
PCB BREAKOUT S
- BO5\_2  
PCB BREAKOUT S
- BO6\_2  
PCB BREAKOUT S
- BO7\_2  
PCB BREAKOUT S
- BO8\_2  
PCB BREAKOUT S
- BO9\_2  
PCB BREAKOUT S

- FIDP1  
FIDUCIAL
- FIDP2  
FIDUCIAL
- ATE1  
HOLE-ATE
- ATE2  
HOLE-ATE

**ALLEN&HEATH**

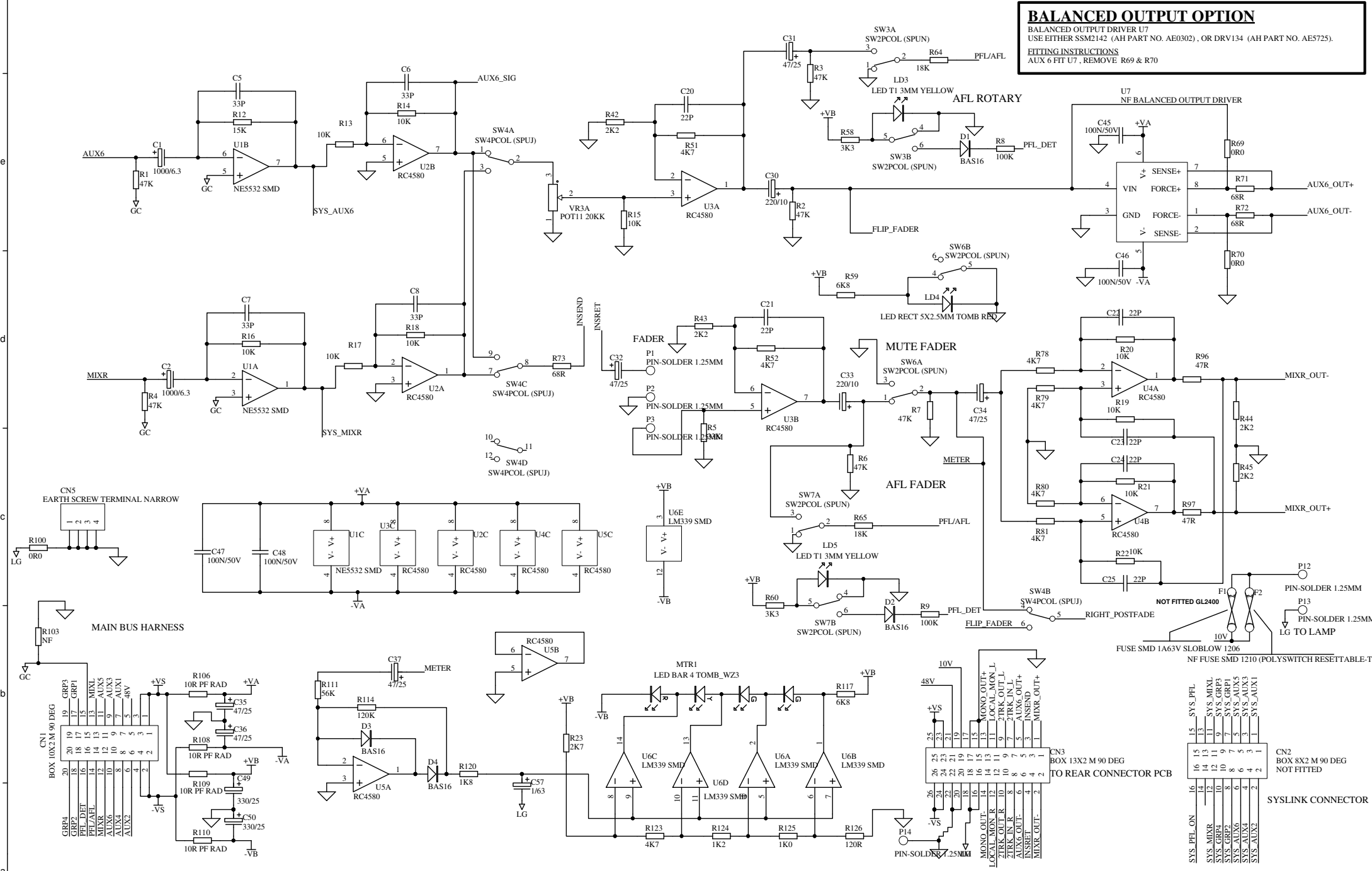
Kernick Industrial Estate,  
Penryn, Cornwall,  
England. TR10 9LU  
Tel: +44 (0)8707 556250  
Fax: +44 (0)8707 556251

ISSUE	BY	DATE	CHK BY
3.2	NB	11FEB11	

ECN-1065 (R144 & R147)	
FILE: C5398_3.2.SchDoc	PRINTED: 14:25:43 06/11/2012

TITLE: WIZARD 14 RIGHT PCB
PAGE:
DRG No: C5398 ISSUE: 3.2 SHEET: 0 OF 3

**BALANCED OUTPUT OPTION**  
 BALANCED OUTPUT DRIVER U7  
 USE EITHER SSM2142 (AH PART NO. AE0302) , OR DRV134 (AH PART NO. AE5725).  
**FITTING INSTRUCTIONS**  
 AUX 6 FIT U7 , REMOVE R69 & R70



**ALLEN & HEATH**  
 Kernick Industrial Estate,  
 Penryn, Cornwall,  
 England. TR10 9LU  
 Tel: +44 (0)8707 556250  
 Fax: +44 (0)8707 556251

ISSUE	BY	DATE	CHK BY
3.2	NB	11FEB11	

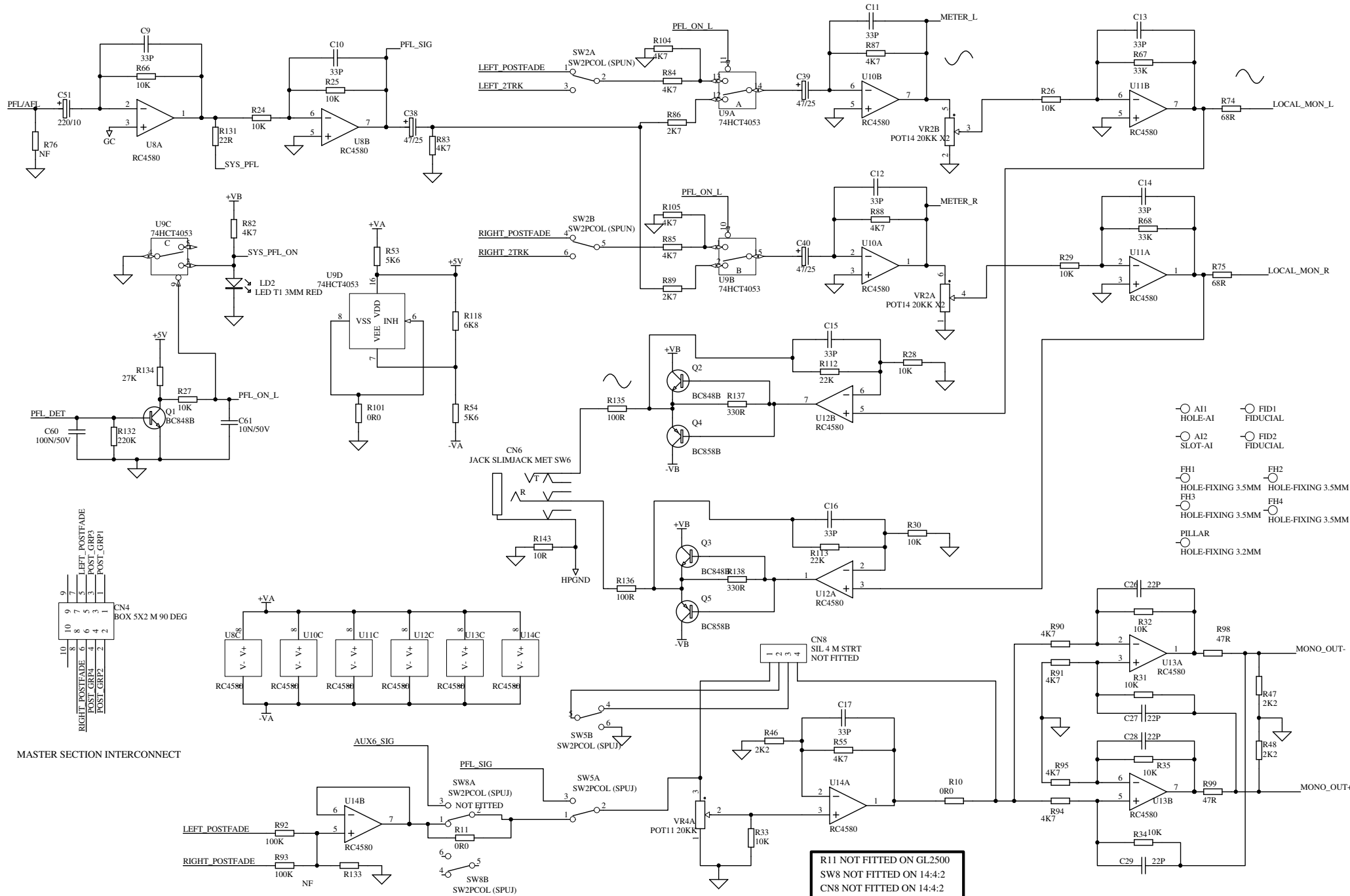
VR3B POT11 20KK

FILE: C5398\_3.2P1.SchDoc

PRINTED: 14:25:43 06/11/2012

TITLE: **WIZARD 14 RIGHT PCB**  
 PAGE:  
 DRG No: **C5398** ISSUE: 3.2 SHEET: 1 OF 3

A B C D E F G H

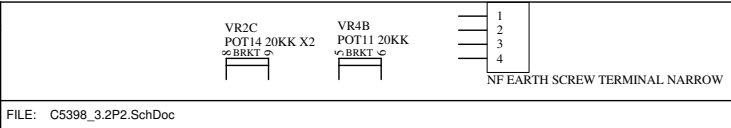


- A11 HOLE-A1
- A12 SLOT-A1
- FID1 FIDUCIAL
- FID2 FIDUCIAL
- FH1 HOLE-FIXING 3.5MM
- FH2 HOLE-FIXING 3.5MM
- FH3 HOLE-FIXING 3.5MM
- FH4 HOLE-FIXING 3.5MM
- PILLAR
- HOLE-FIXING 3.2MM

R11 NOT FITTED ON GL2500  
 SW8 NOT FITTED ON 14:4:2  
 CN8 NOT FITTED ON 14:4:2

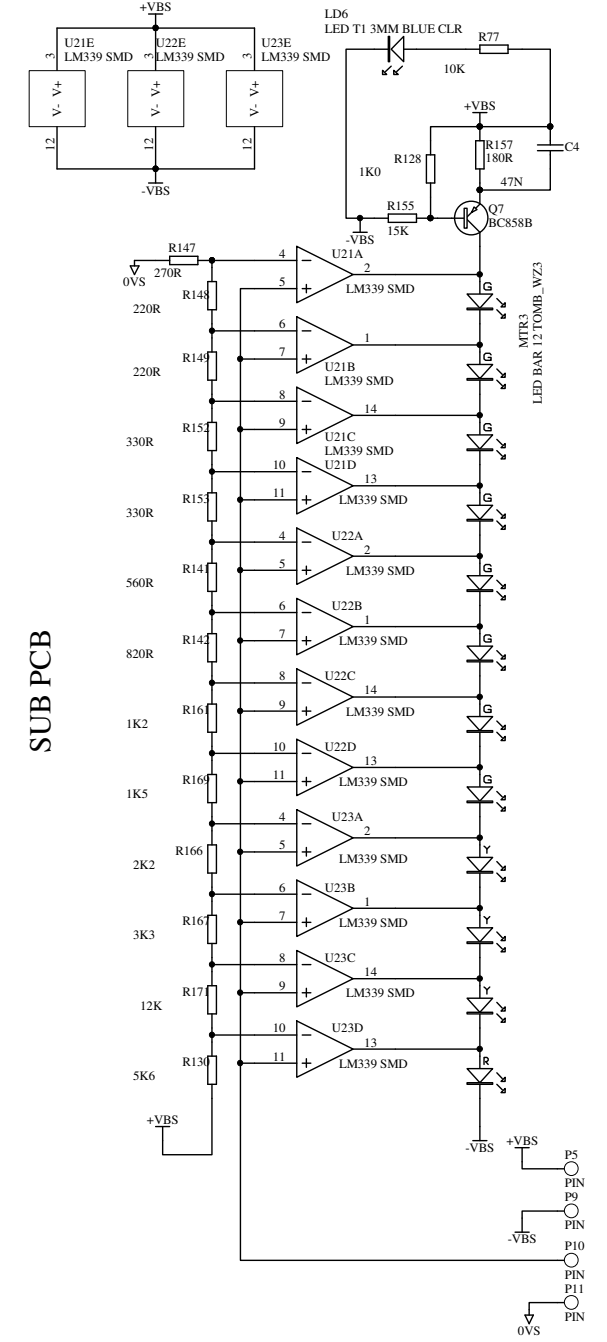
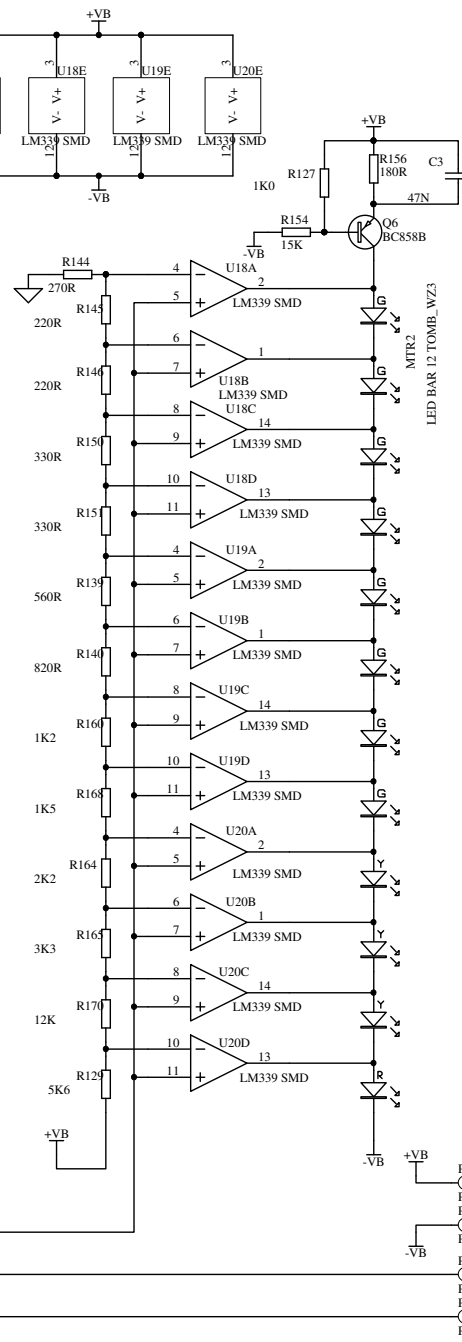
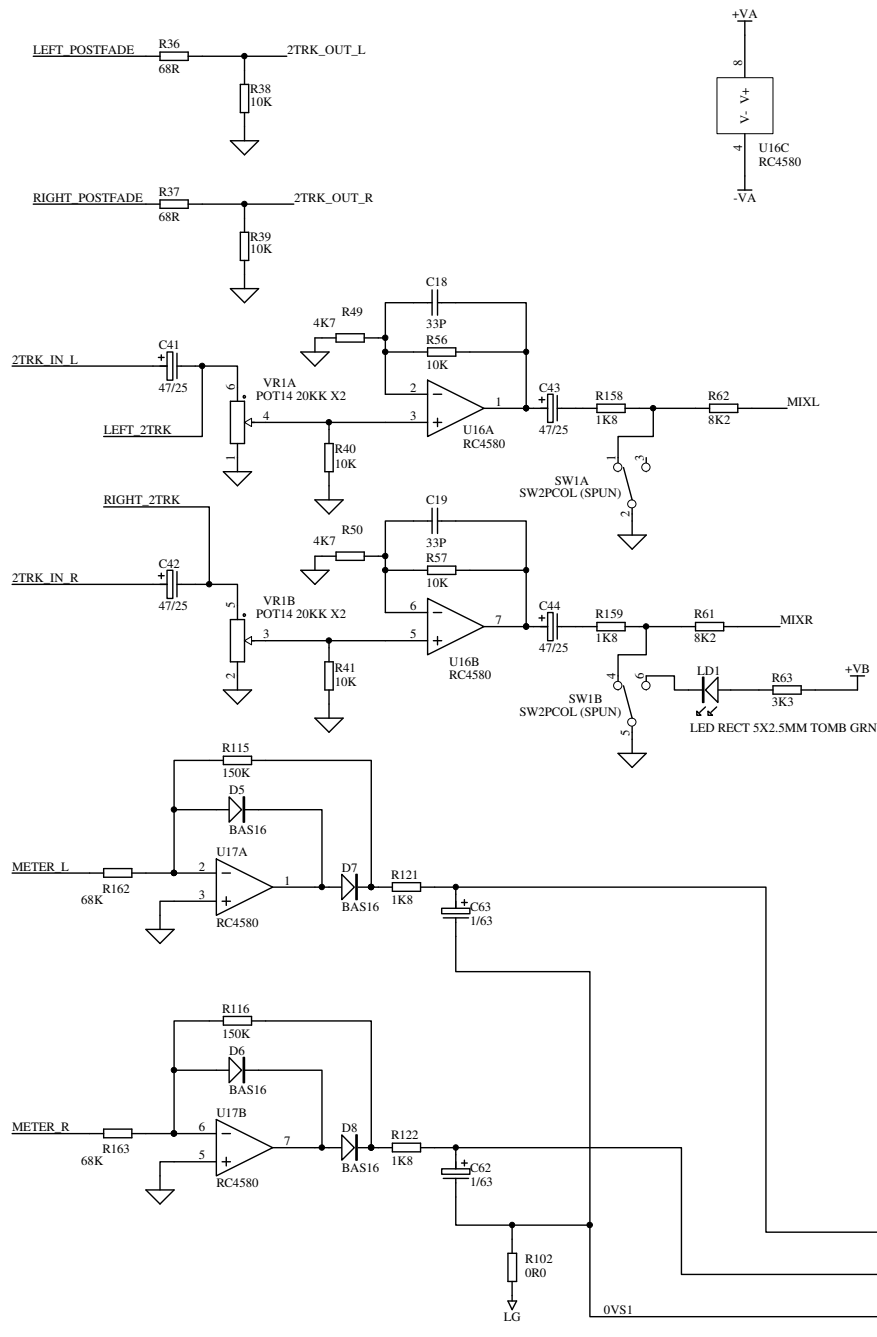
**ALLEN&HEATH**  
 Kernick Industrial Estate,  
 Penryn, Cornwall,  
 England. TR10 9LU  
 Tel: +44 (0)8707 556250  
 Fax: +44 (0)8707 556251

ISSUE	BY	DATE	CHK BY
3.2	NB	11FEB11	



TITLE: **WIZARD 14 RIGHT PCB**  
 PAGE:  
 DRG No: **C5398** ISSUE: 3.2 SHEET: 2 OF 3

A B C D E F G H



**ALLEN & HEATH**  
 Kernick Industrial Estate,  
 Penryn, Cornwall,  
 England. TR10 9LU  
 Tel: +44 (0)8707 556250  
 Fax: +44 (0)8707 556251

ISSUE	BY	DATE	CHK BY
3.2	NB	11FEB11	

VR1C  
 POT14 20KK X2

FILE: C5398\_3.2P3.SchDoc

TITLE: WIZARD 14 RIGHT PCB  
 PAGE:  
 DRG No: C5398 ISSUE: 3.2 SHEET: 3 OF 3

e  
  
d  
  
c  
  
b  
  
a

A B C D E F G H