



*MixWizard*  
Series

## DESKTOP SIDE-TRIM OPTION

This option enables you to fit hardwood side-trims to any of the *MixWizard* series mixers.

**Kit Part No: WZ-DSR**

User option to fit hardwood side-trims to one *MixWizard* series unit.

### FITTING INSTRUCTIONS

**Publication AP3359**

Issue1 June 98

# FITTING THE HARDWOOD SIDE-TRIMS

## 1) CHECK THE CONTENTS:

Please carefully check that all three surrounding hardwood pieces are present in the kit together with a bag of fixings.

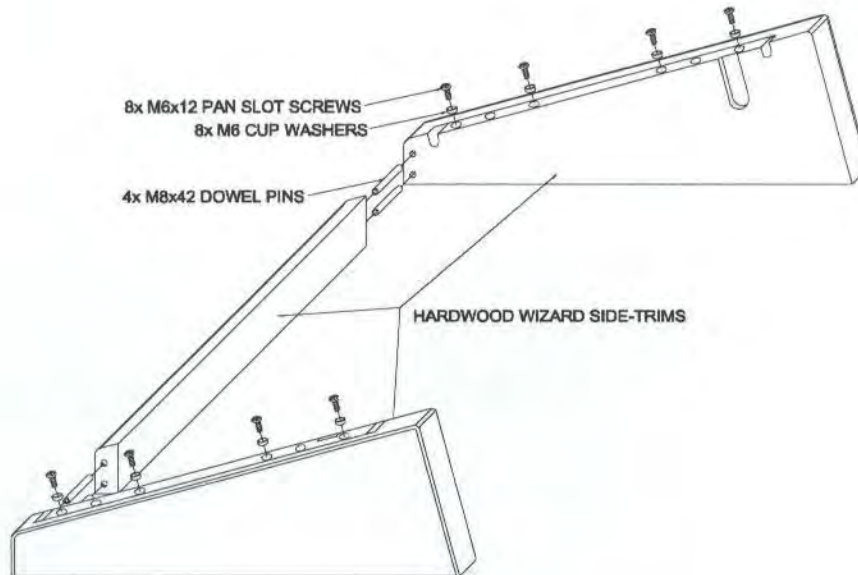
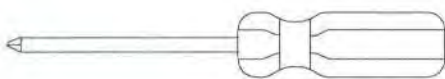


fig. 1

## Contents:

- 1x Hardwood Side Trims with knurled inserts already fitted (AA3344)
- 8x M6 x 12 Pan slotted screws (AB3361)
- 8x M6 Cup Washers (AB0345)
- 1x Hardwood Side Trims Fitting Instructions (AP3359)

## 2) TOOLS REQUIRED:



1pt CROSS POINT SCREWDRIVER



RUBBER MALLET



### **3) ENSURE CORRECT CONSOLE CONFIGURATION**

Before attempting to fit the hardwood side trims, remove all power to the unit and disconnect any signal cables where necessary. The rotating connector module must be set for desk top operation in order to fit the side trims. (see fig.2)

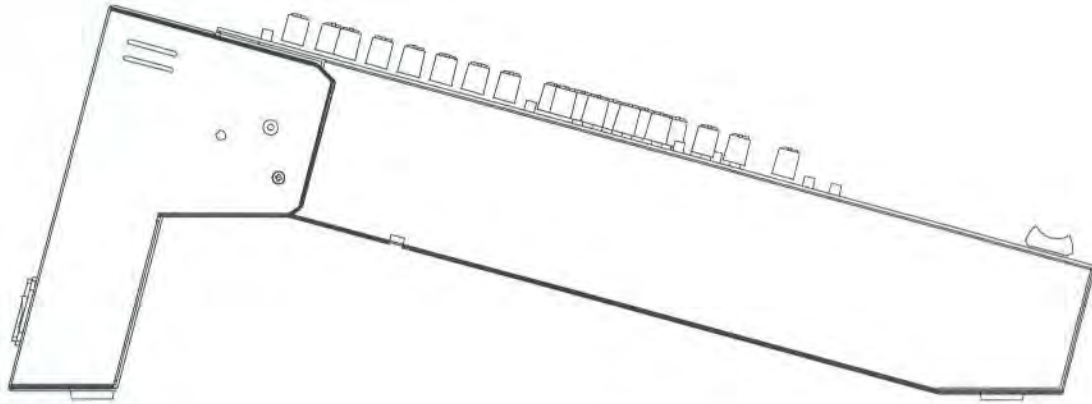


fig. 2

### **4) FITTING THE HARDWOOD SIDE TRIMS**

After fitting the wooden dowel pins to the centre piece, position the side trims around the mixer thus. (see fig.3)

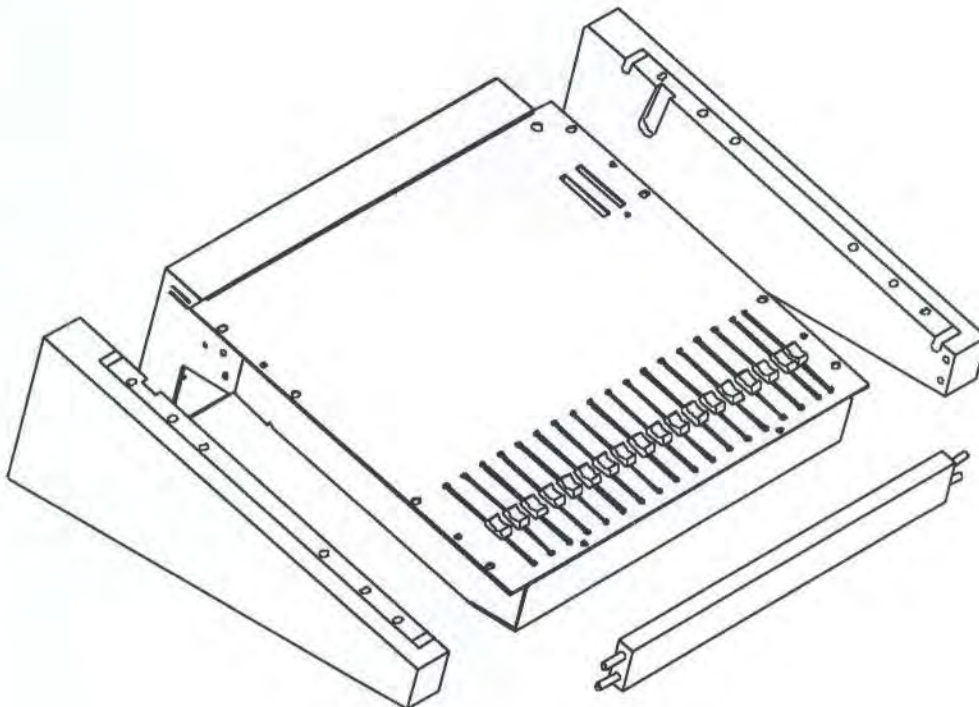


Fig. 3

## 5) FIXING THE HARDWOOD SIDE TRIMS

Once in position, fix the hardwood side trims to the mixer using the fixings provided with the kit. (see fig.4)

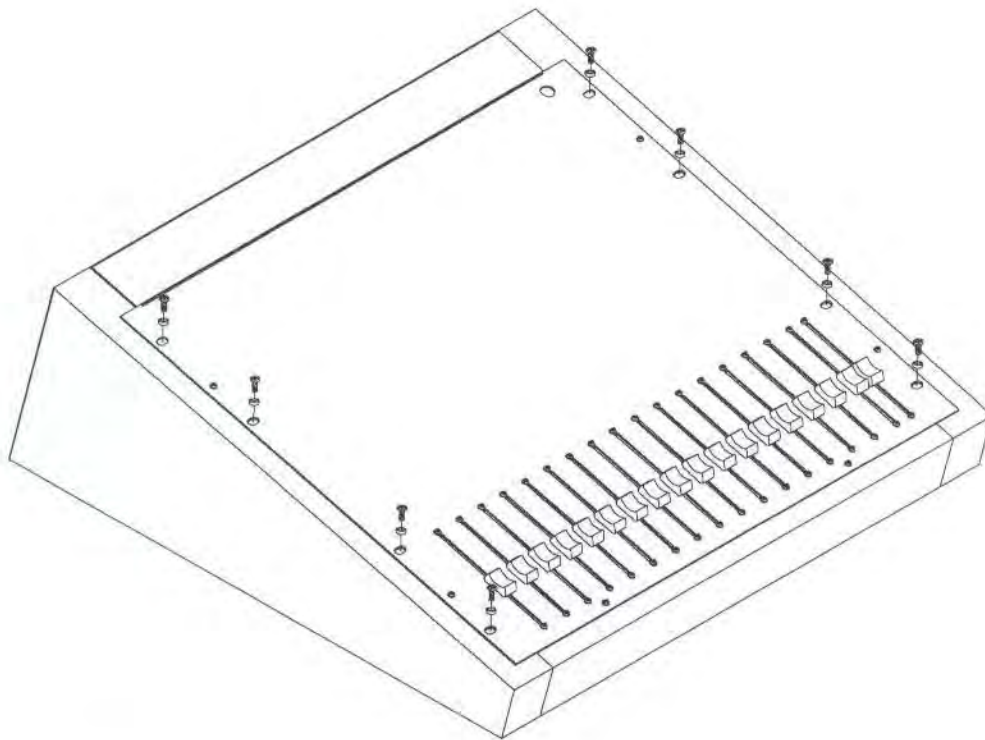


fig.4



Manufactured in the UK by:  
Allen & Heath Ltd.  
Kernick Industrial Estate,  
Penryn,  
Cornwall TR10 9LU  
U.K.  
Tel: 44 (0) 1326 372070  
Fax: 44 (0) 1326 377097  
<http://www.allen-heath.com>

**H** A division of Harman International Industries Ltd.