

# **ALLEN&HEATH**

## **Parts identification sheet**

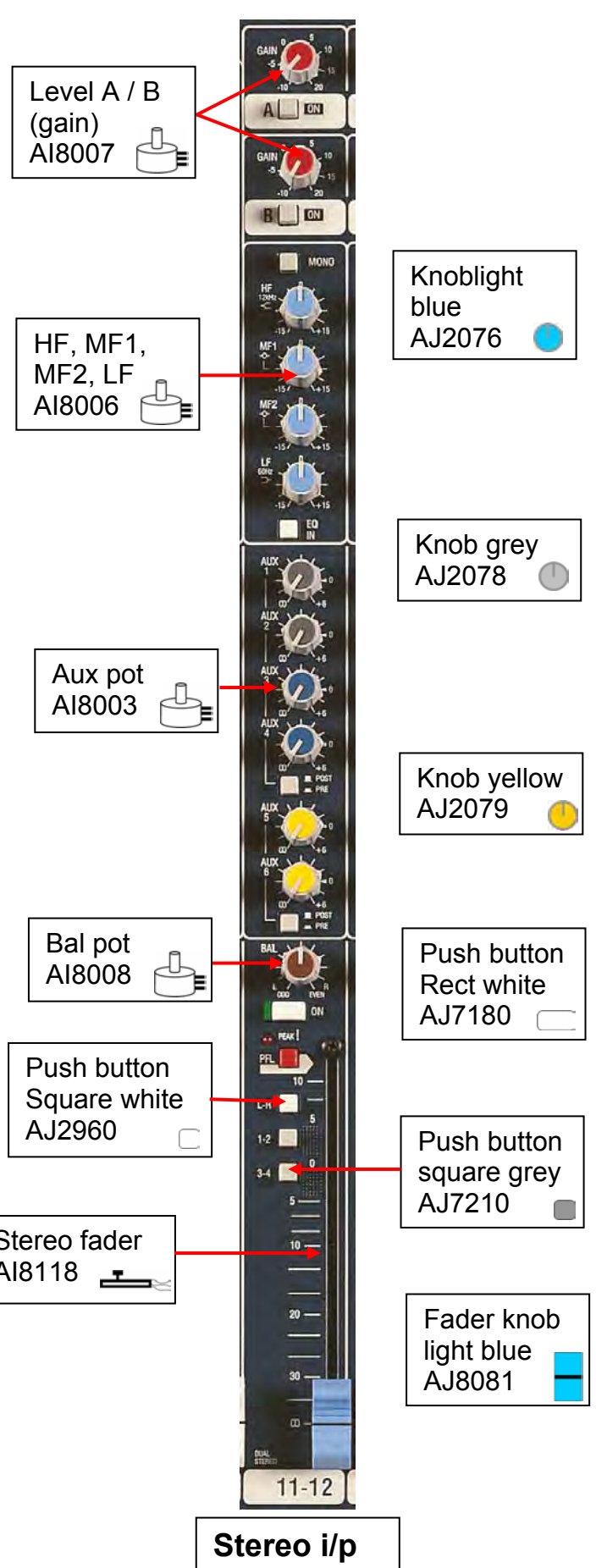
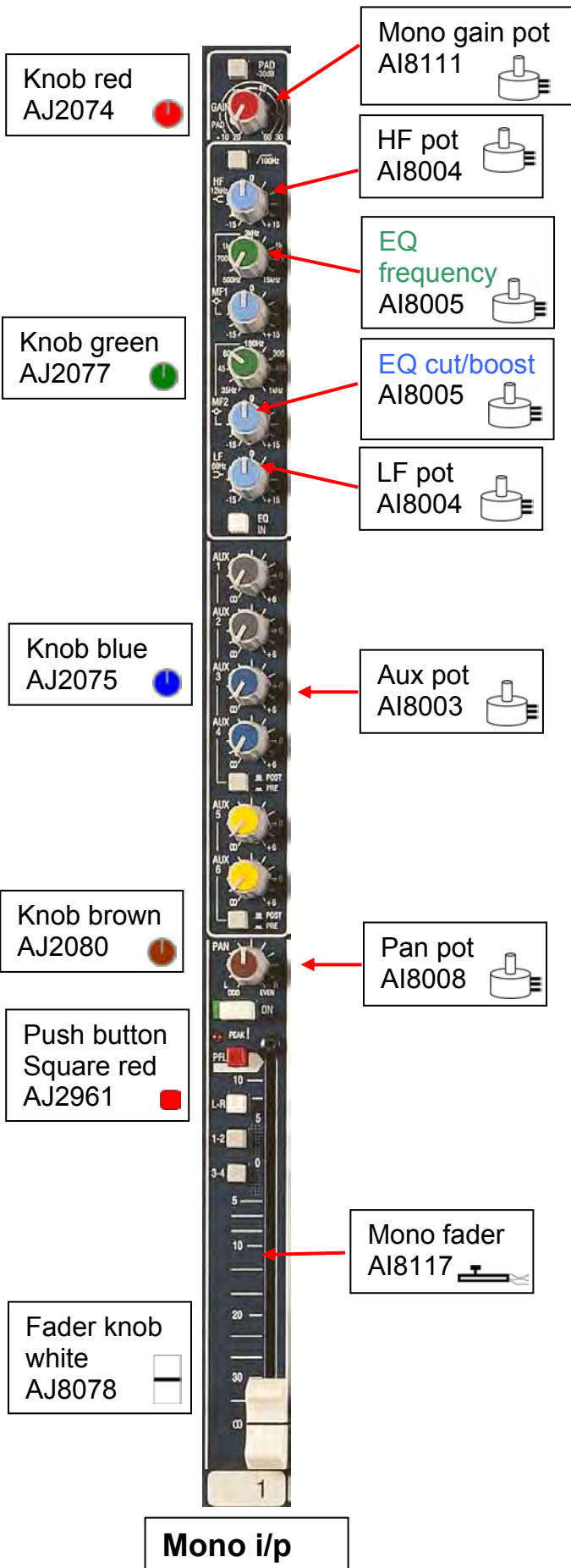
**WZ Mk2**  
**14:4:2**

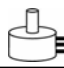
### **How to order parts**

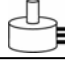
Parts must be ordered from our distributor in your territory. A list of international distributors can be viewed at <http://www.allen-heath.com/UK/distributors.asp>

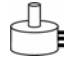
UK parts must be ordered through an appointed A&H dealer or service centre. A list of UK service centres can be viewed at [http://www.allen-heath.com/UK/service\\_centres.asp](http://www.allen-heath.com/UK/service_centres.asp)

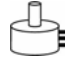
**POTS FADERS & KNOBS:**

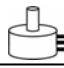



Osc/noise trim  
AI8111 


Talkback trim  
AI8111 


St 1, 2, 3, 4 to aux  
AI8003 

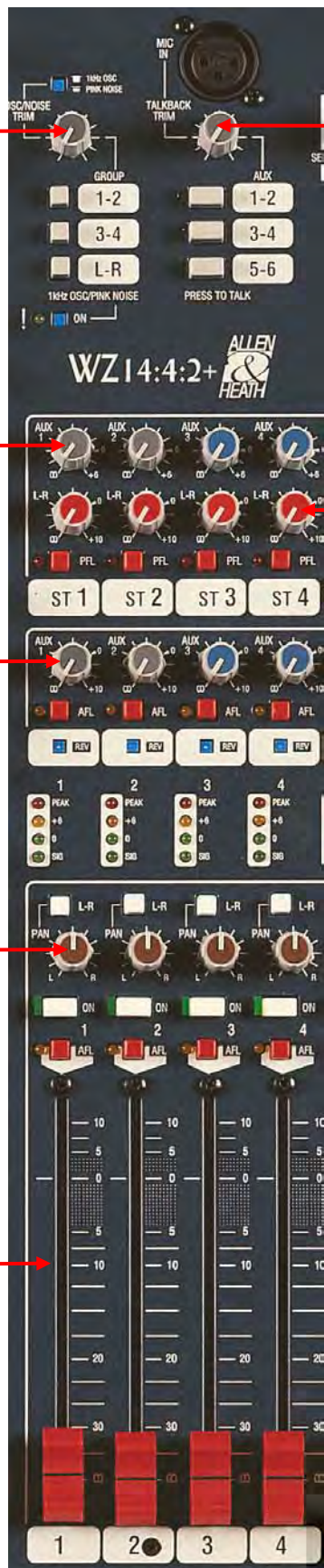
St 1, 2, 3, 4 to LR  
AI8007 

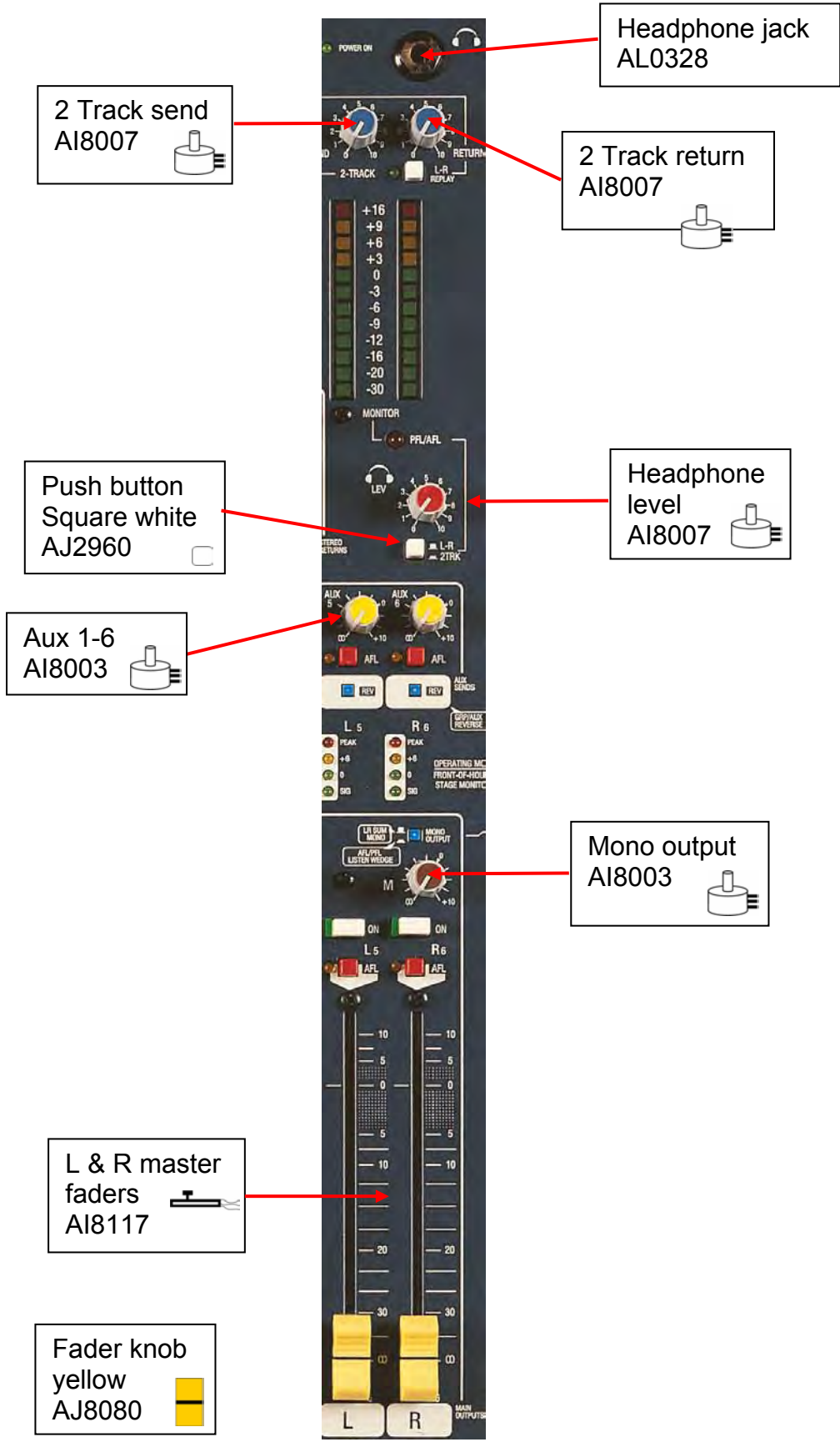
Aux pot  
AI8003 

Pan pot  
AI8008 

Group fader  
AI8117 

Fader knob  
red  
AJ8079 





2 Track send  
AI8007

Headphone jack  
AL0328

2 Track return  
AI8007

Push button  
Square white  
AJ2960

Headphone  
level  
AI8007

Aux 1-6  
AI8003

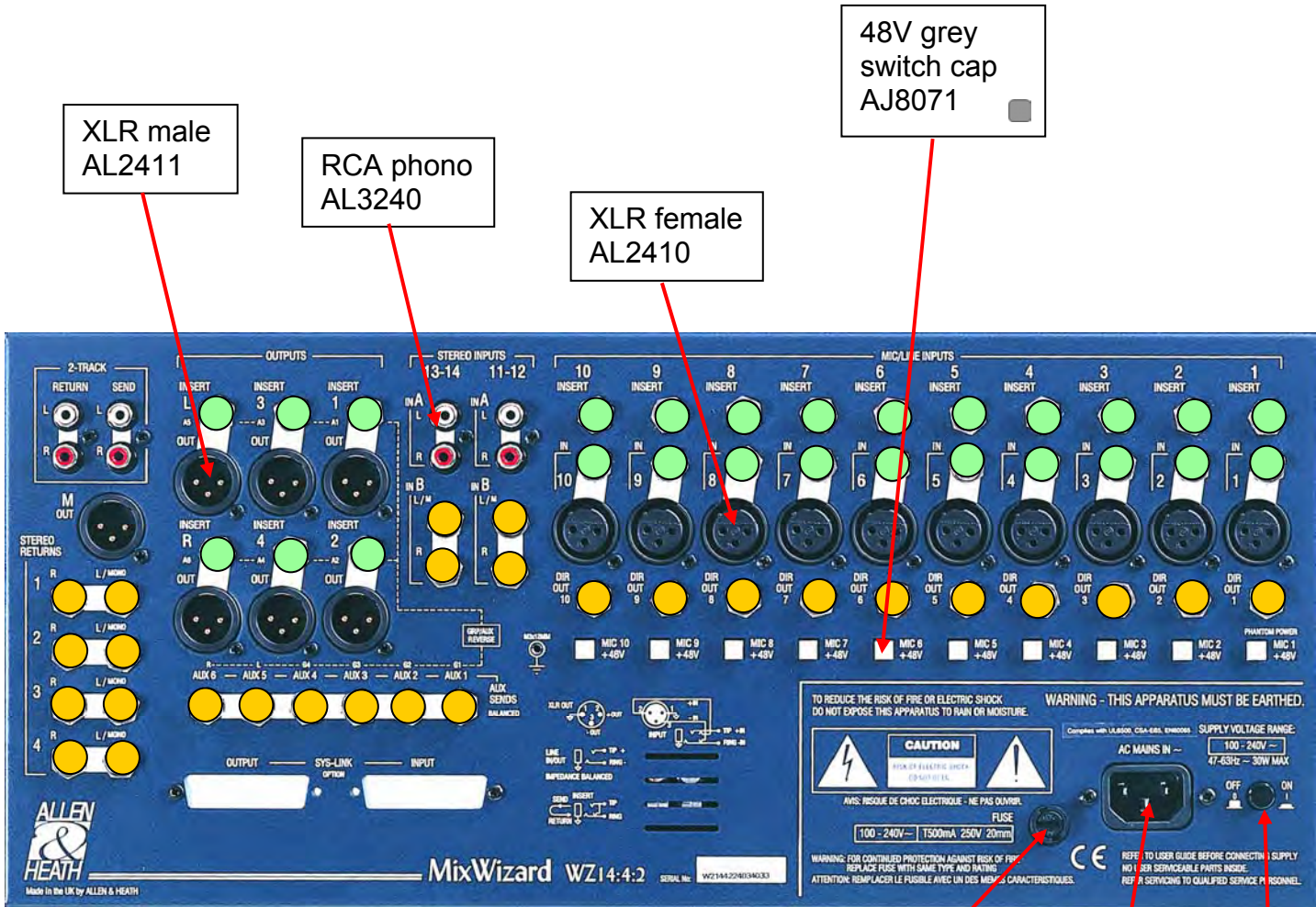
Mono output  
AI8003

L & R master  
faders  
AI8117

Fader knob  
yellow  
AJ8080

**Master L R**





XLR male  
AL2411

RCA phono  
AL3240

XLR female  
AL2410

48V grey  
switch cap  
AJ8071

Jack sockets  
AL3407

Aux outputs  
Direct outs  
Stereo Returns

Jack sockets  
AL3410

Line inputs  
Inserts  
Stereo L/M, R

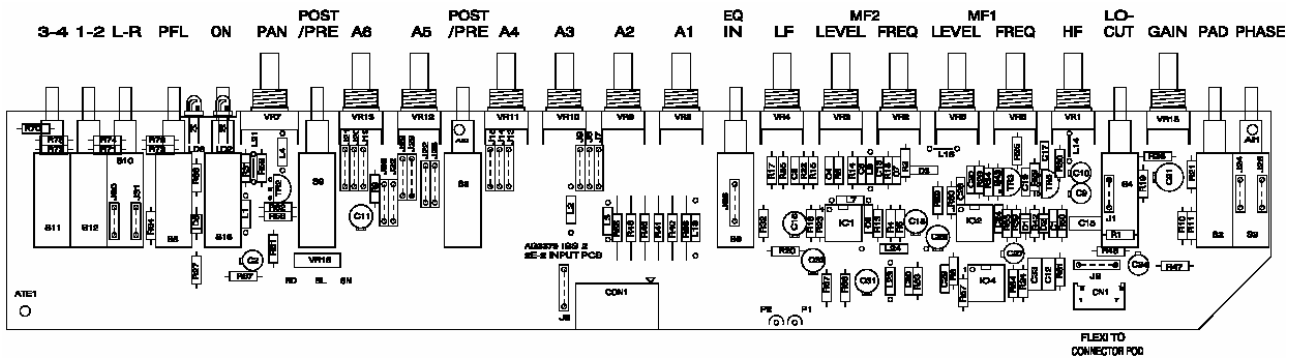
Fuse holder  
AI3178

AC mains inlet  
AL3458

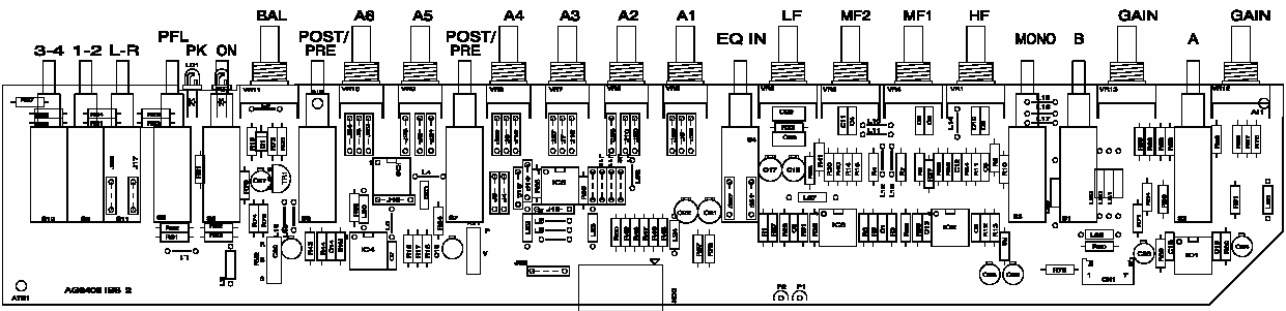
AC mains  
switch cap  
AJ2887

AC mains  
switch  
AL3338

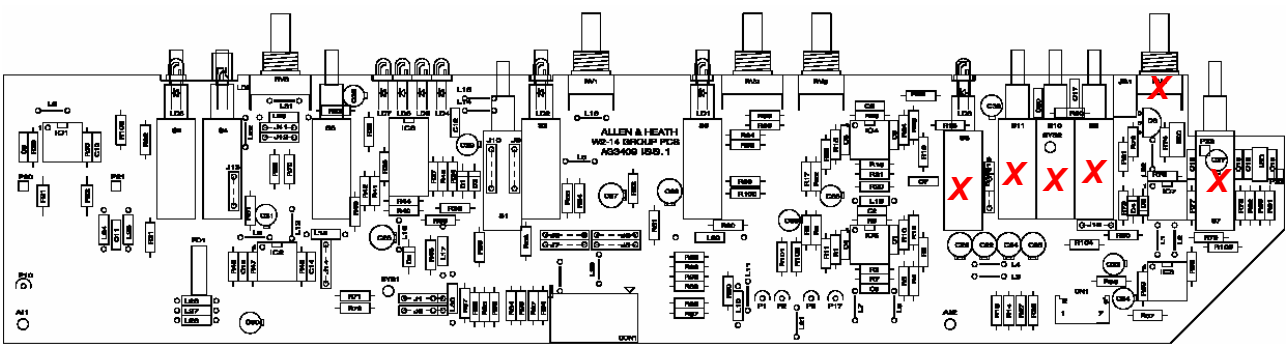
**INTERIOR PARTS:**



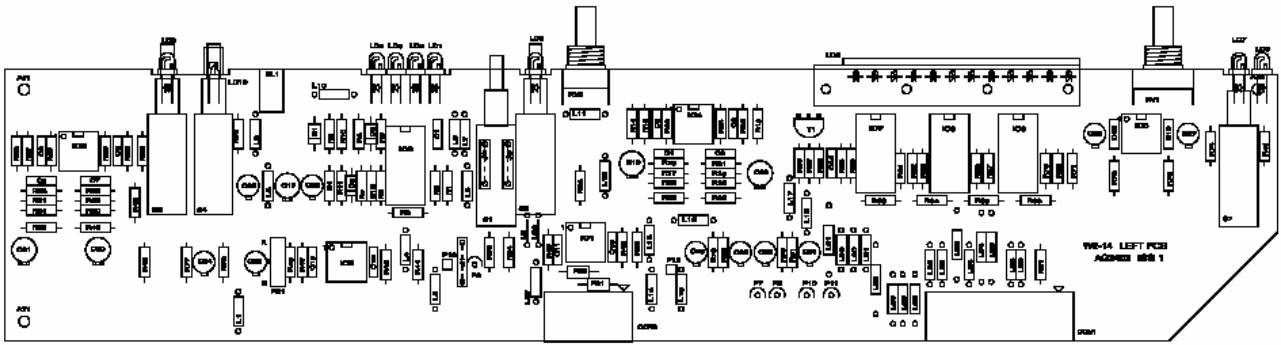
Mono i/p 002-452



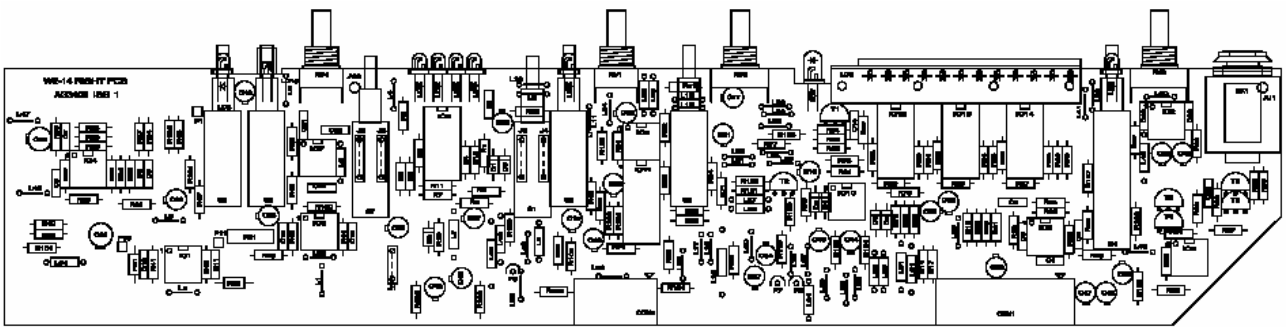
Stereo i/p 002-427



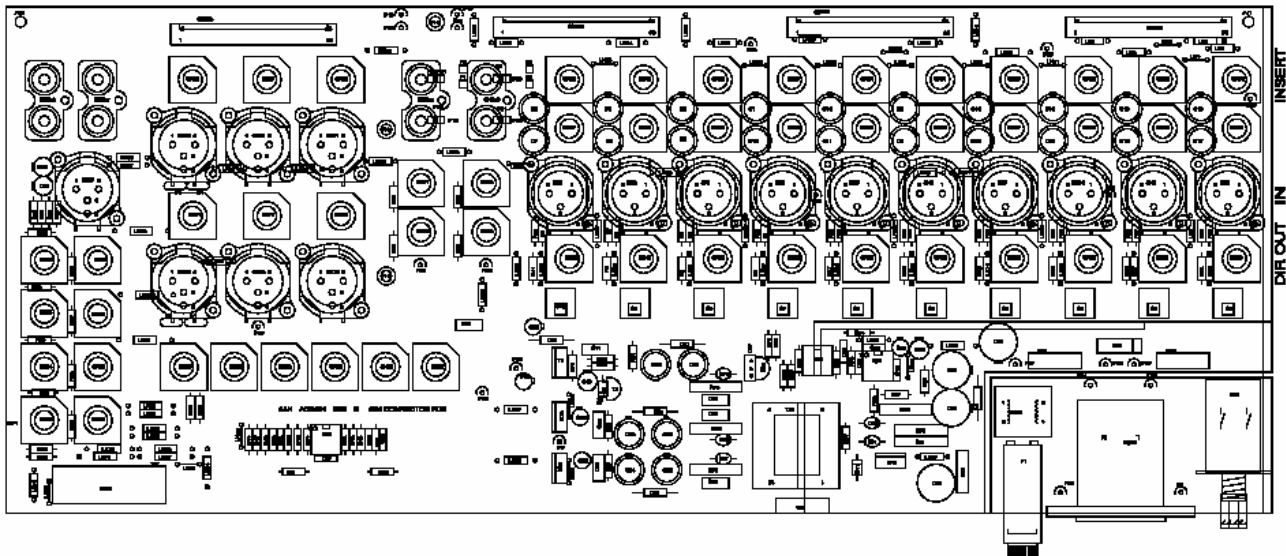
Group 1 002-428  
 Group 2 002-454 X  
 Group 3 002-429  
 Group 4 002-454 X



Left master 002-431



Right master 002-433



Connector 002-424