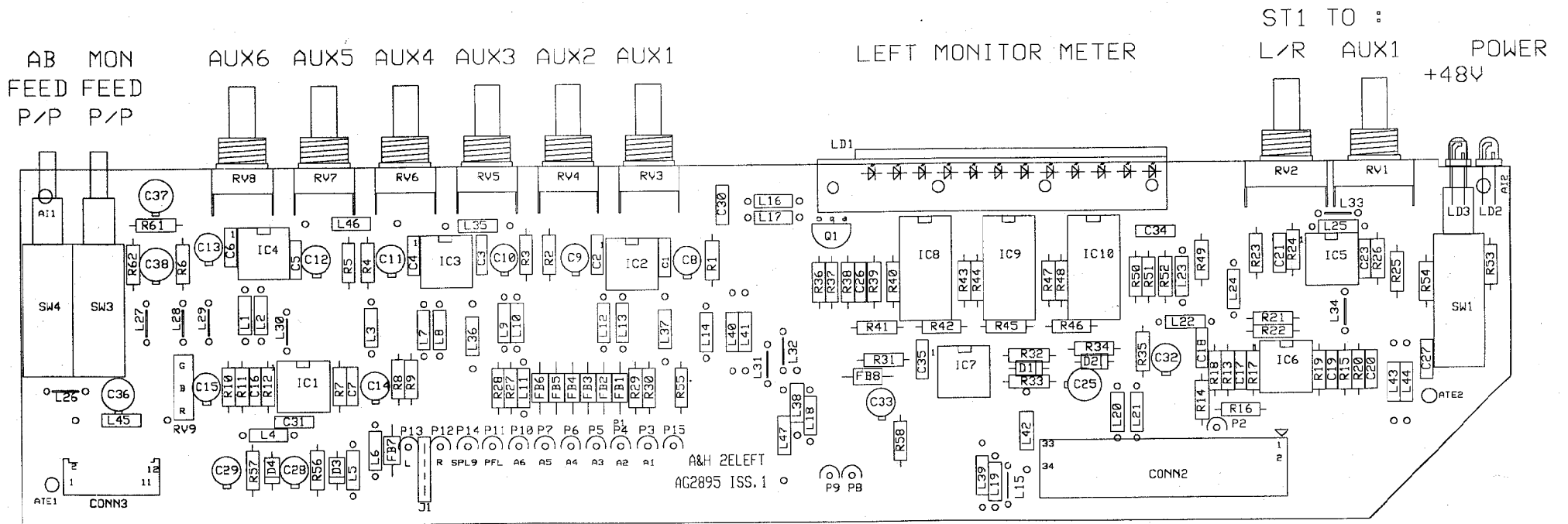


ISS.	REVISION	BY	DATE	NOTES
A	ORIGIN	ARC	20/01/97	1. RESISTOR MARKED # ARE 1%
B	UP ISSUE	DWD	06/02/97	2. ALL STUDS ARE 50/100 UNLESS OTHERWISE MARKED
C	VALUE CHANGES	DWD	14/02/97	3. DECIMALS OPERATORS ARE #A0.15
	PRODUCTION		DWD 13/03/97	3. DO NOT MODIFY THIS Ckt. WITHOUT REFERENCE TO OTHER MEMO INPUT Ckts.

UNIT TITLE: 2E-M  
 DRAWING TITLE: INPUT CIRCUIT DIAGRAM  
 PCB TYPE: AG2894  
 MANUFACTURED IN ENGLAND BY: ALLEN & HEATH  
 DRAWING No.: C2894 ISSUE 1

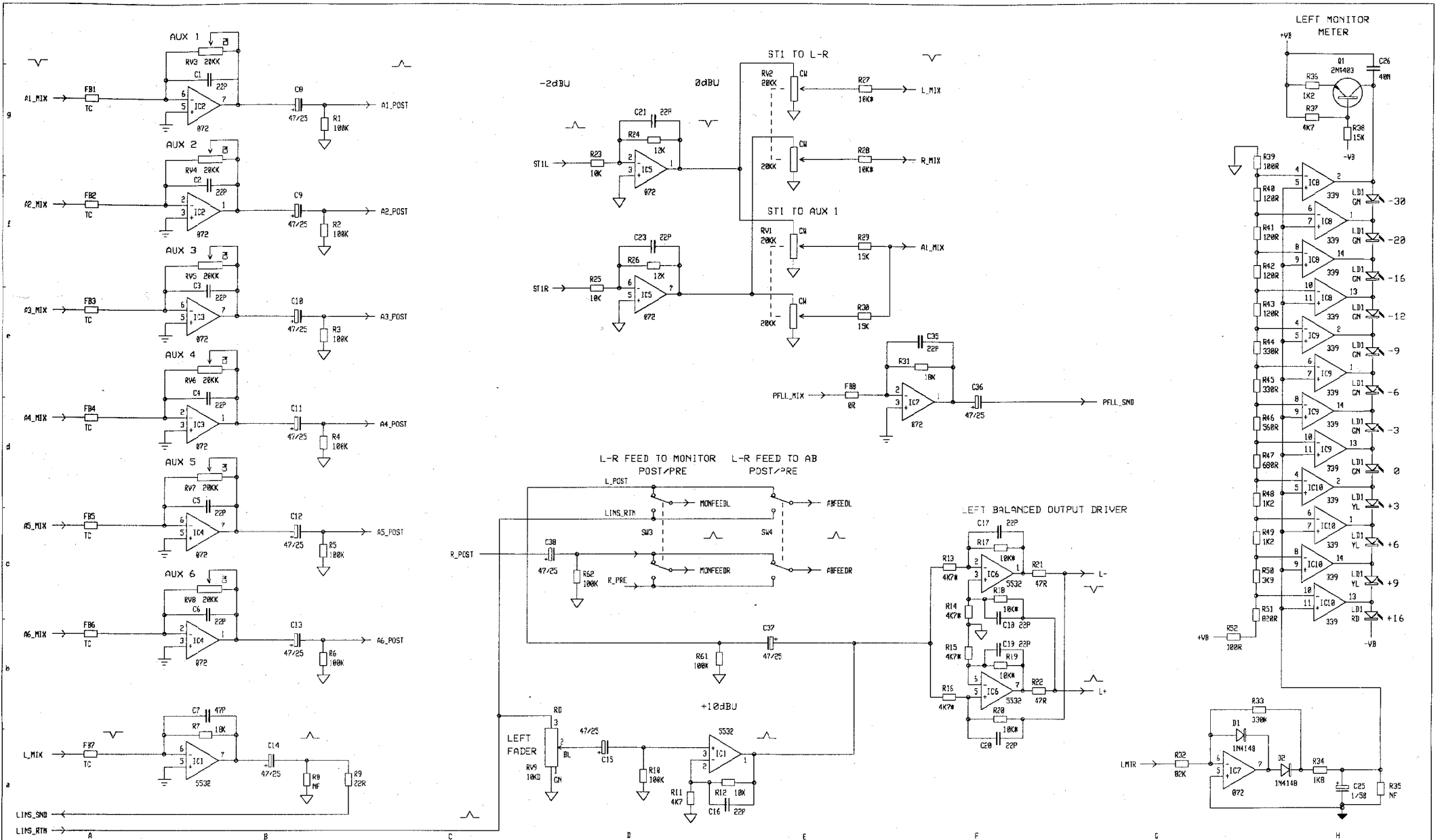
ISS.	REVISION	BY	DATE	NOTES
A	ORIGIN	ARC	20/01/97	1. RESISTOR MARKED # ARE 1%
B	UP ISSUE	DWD	06/02/97	2. ALL STUDS ARE 50/100 UNLESS OTHERWISE MARKED
C	VALUE CHANGES	DWD	14/02/97	3. DECIMALS OPERATORS ARE #A0.15
	PRODUCTION		DWD 13/03/97	3. DO NOT MODIFY THIS Ckt. WITHOUT REFERENCE TO OTHER MEMO INPUT Ckts.



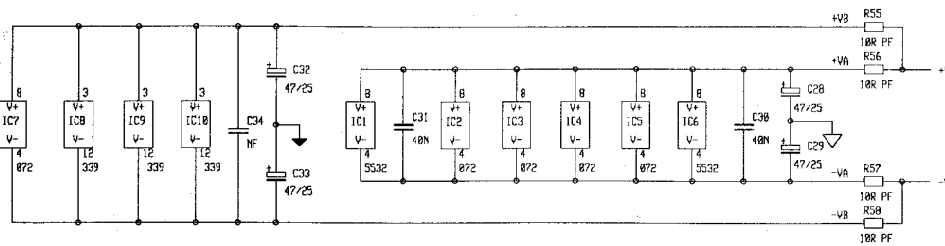
FLEXI TO RIGHT

TC BUS

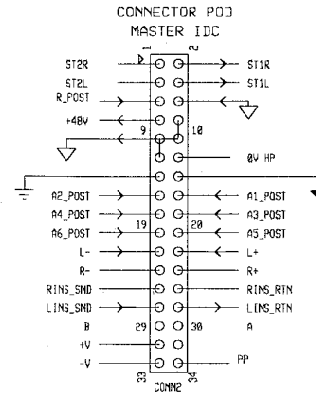
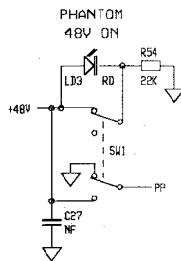
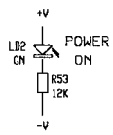
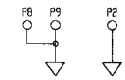
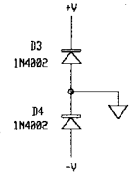
34 WAY TO RIGHT AND CONNECTOR PCB



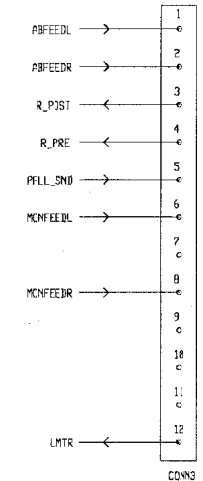
ISS.	REVISION	BY DATE	NOTES	UNIT TITLE	MANUFACTURED IN ENGLAND BY
A B 1	DRIGIN RE DESIGN PRODUCTION	DLP 24/01/97 DRP 07/02/97 DWD 13/03/97	1. RESISTORS MARKED 4 ARE 1% ALL OTHERS ARE 5% 1/4W UNLESS OTHERWISE MARKED 2. ELECTROLYTIC CAPACITORS ARE µF/VD.VTS	2E-M LEFT PCB	RC316
				SHEET 1 OF 2	ALLEN & HEATH
				PCB TYPE AC2895	DRAWING No. C2895 ISSUE 1
					A2



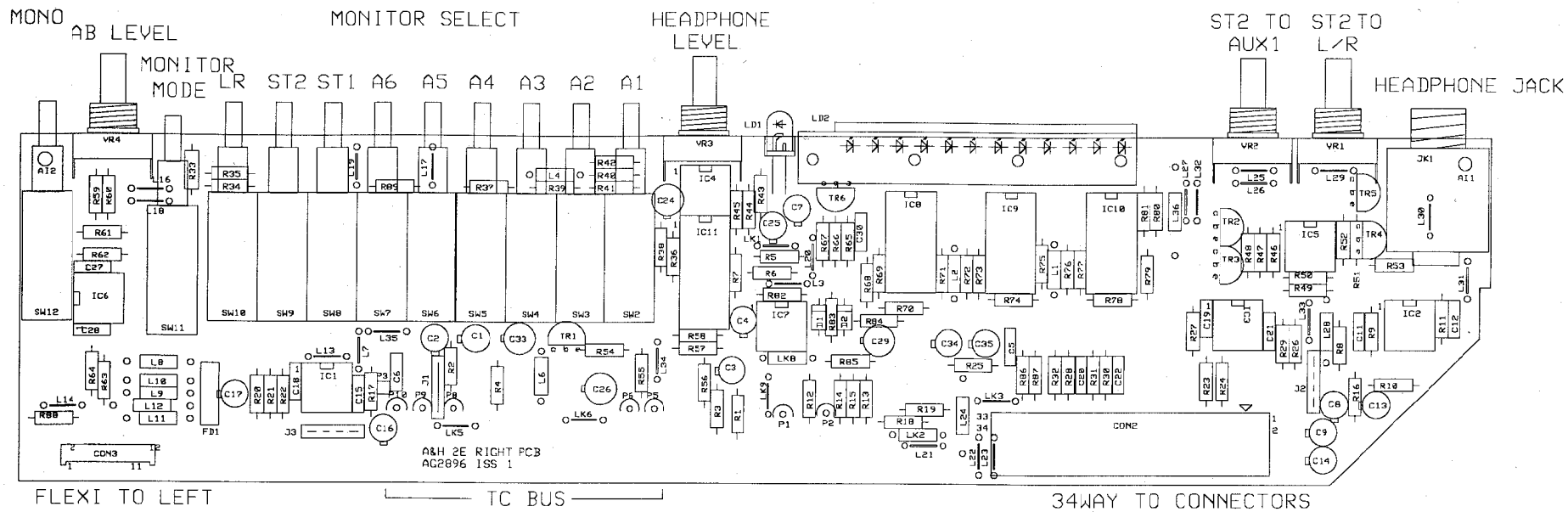
TC BUS



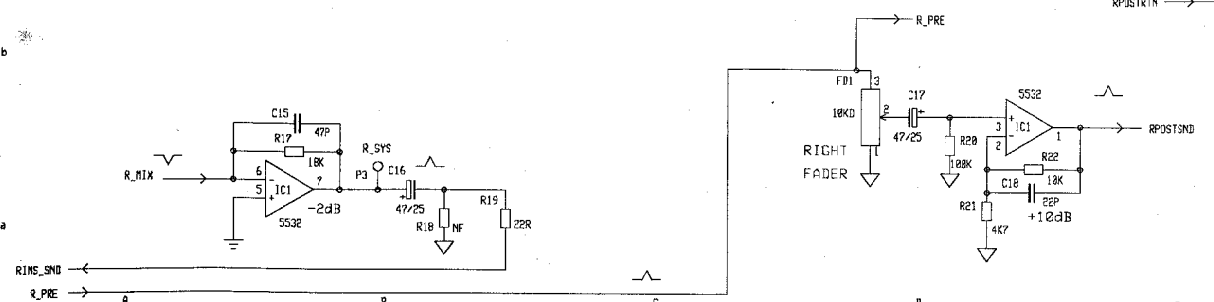
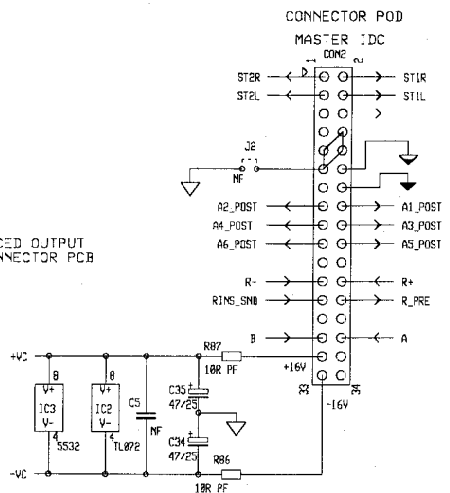
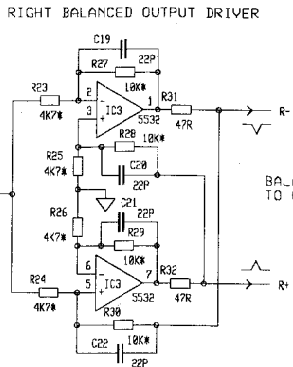
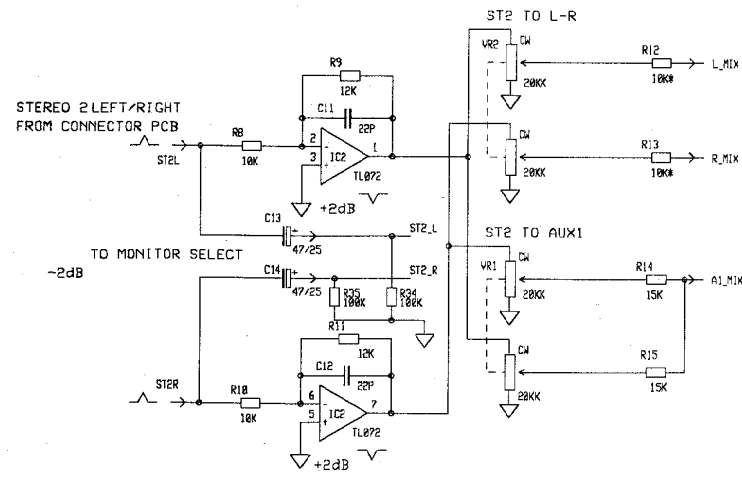
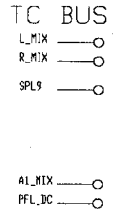
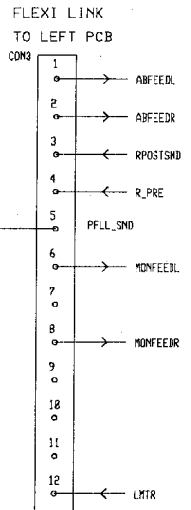
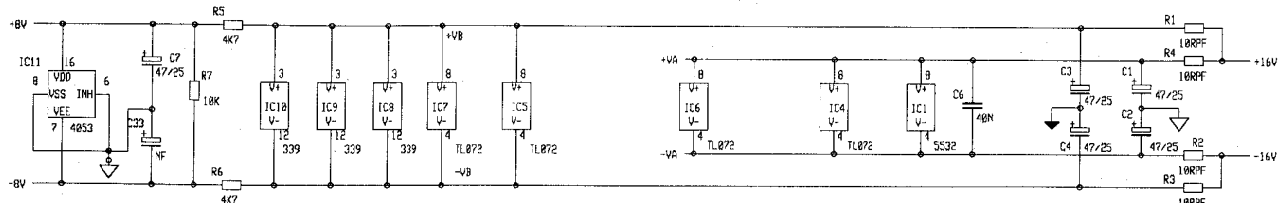
FLEXI LINK TO RIGHT PCB



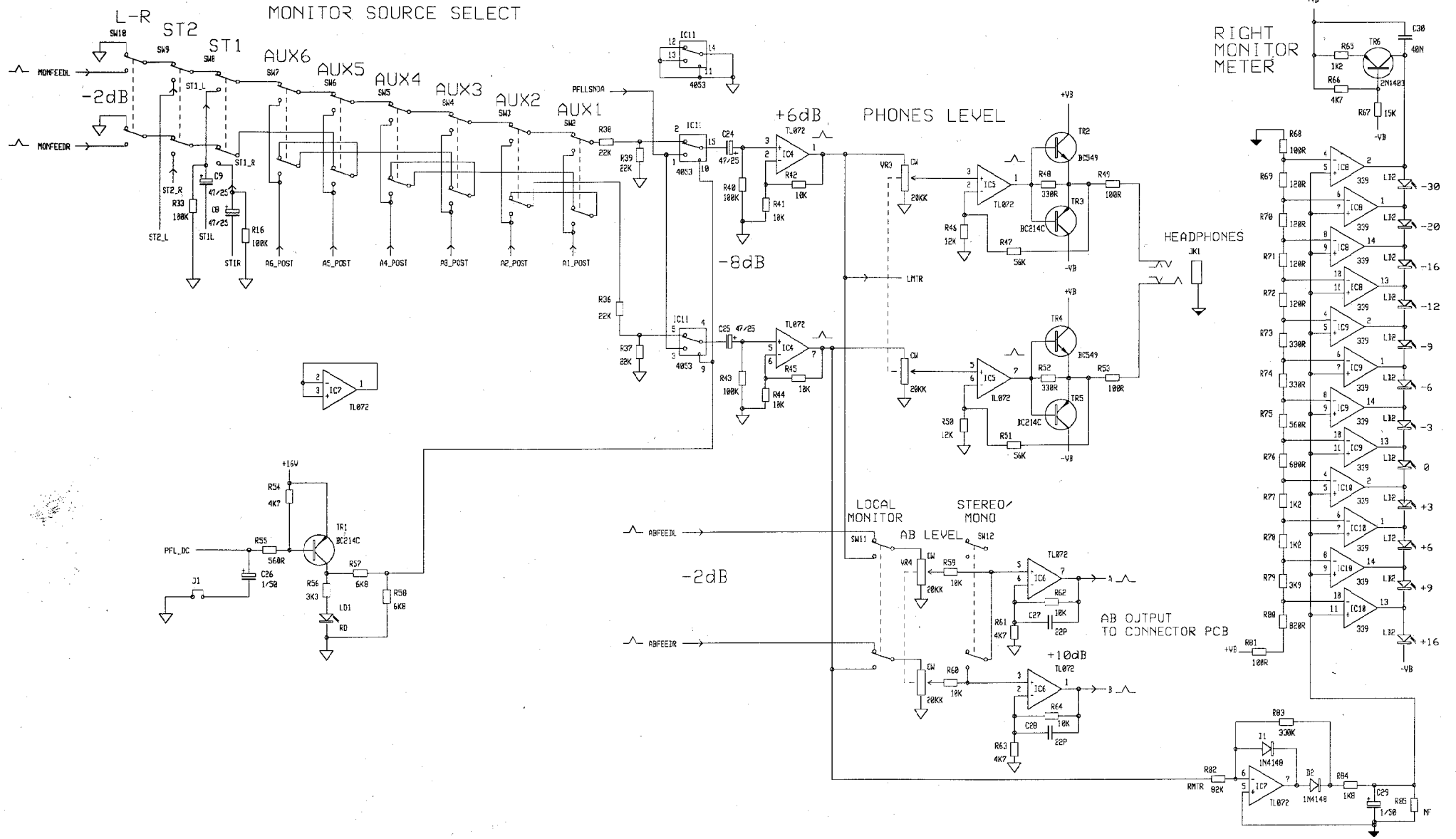
ISS.	REVISION	BY DATE	NOTES	UNIT TITLE	SHEET 2 OF 2	MANUFACTURED IN ENGLAND BY
A B 1	ORIGIN RE DESIGN PRODUCTION	DLP 24/01/97 DRP 07/02/97 DWD 13/03/97	1. RESISTORS MARKED 1 ARE 1% ALL OTHERS ARE 5% 1/4W UNLESS OTHERWISE MARKED 2. ELECTROLYTIC CAPACITORS ARE µF/VOLTS	2E-M		RC316
				DRAWING TITLE	PCB TYPE AC2895	ALLEN & HEATH
						DRAWING No. C2895 ISSUE 1
						A2



# POWER SUPPLY FILTERING



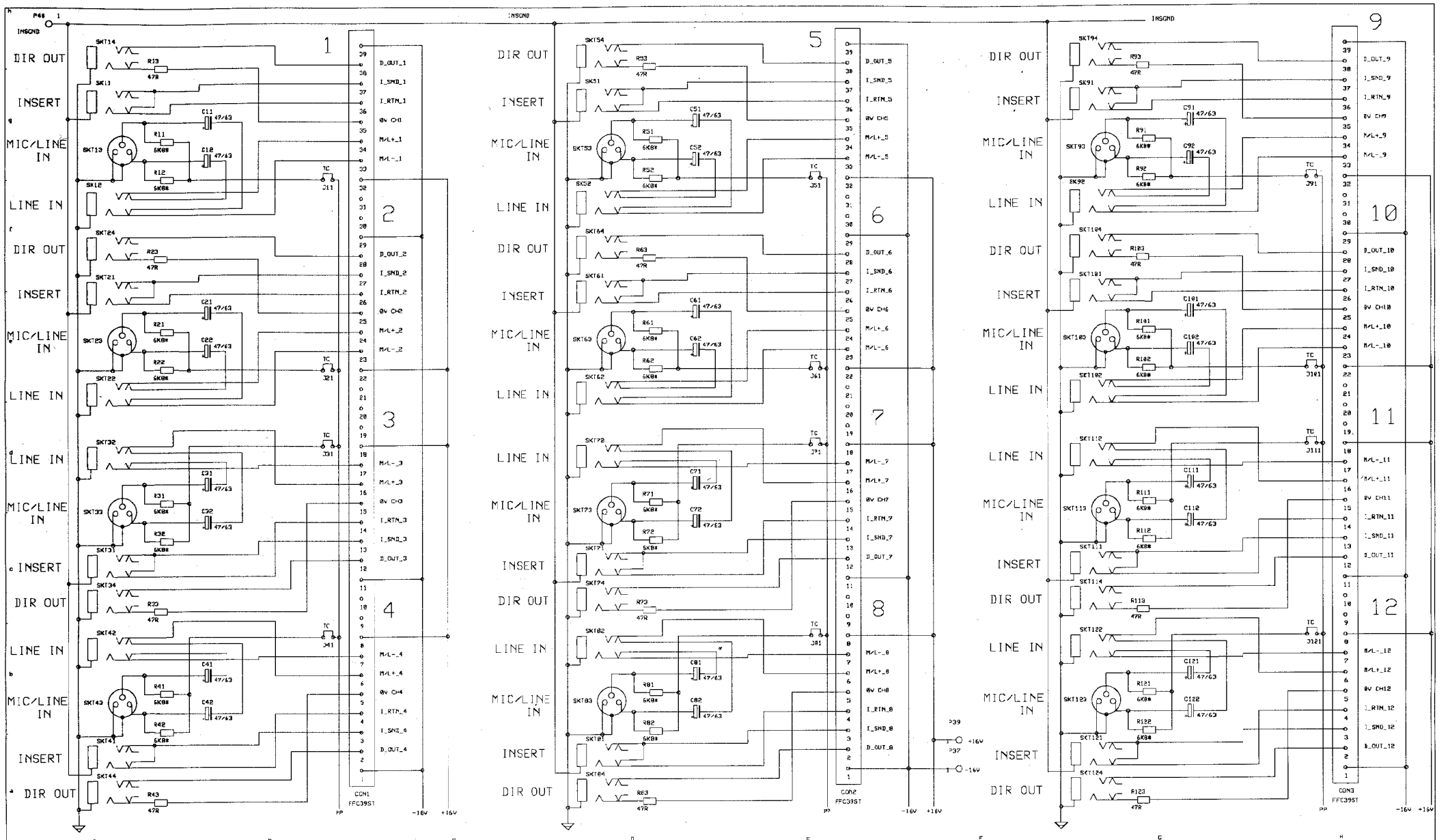
ISS.	REVISION	BY	DATE	NOTES	UNIT TITLE	MANUFACTURED IN ENGLAND BY
A	ORIGIN	ARJ	24/01/97	1. RESISTORS MARKED * ARE 1% ALL OTHERS ARE 5% 1/4W UNLESS OTHERWISE MARKED 2. ELECTROLYTIC CAPACITORS ARE +V/VOLTS	2E-M PAGE 1 OF 2	ALLEN & HEATH
B	RE DESIGN	AAT	06/02/97			
C	VALUE CHANGES	DWD	18/02/97			
1	PRODUCTION	DWD	13/03/97			
					DRAWING TITLE	DRAWING No.
					RIGHT PCB	C2896
						ISSUE 1



ISS.	REVISION	BY	DATE	NOTES	UNIT TITLE	MANUFACTURED IN ENGLAND BY
A	ORIGIN	ARJ	24/01/97	1. RESISTORS MARKED * ARE 1% ALL OTHERS ARE 5% 1/4W UNLESS OTHERWISE MARKED	2E-M PAGE 2 OF 2	ALLEN & HEATH
B	RE DESIGN	AAT	06/02/97			
C	VALUE CHANGES	DWD	18/02/97	2. ELECTROLYTIC CAPACITORS ARE µF/VOLTS	DRAWING TITLE	DRAWING No. C2896 ISSUE 1
1	PRODUCTION	DWD	13/03/97		RIGHT PCB	a2

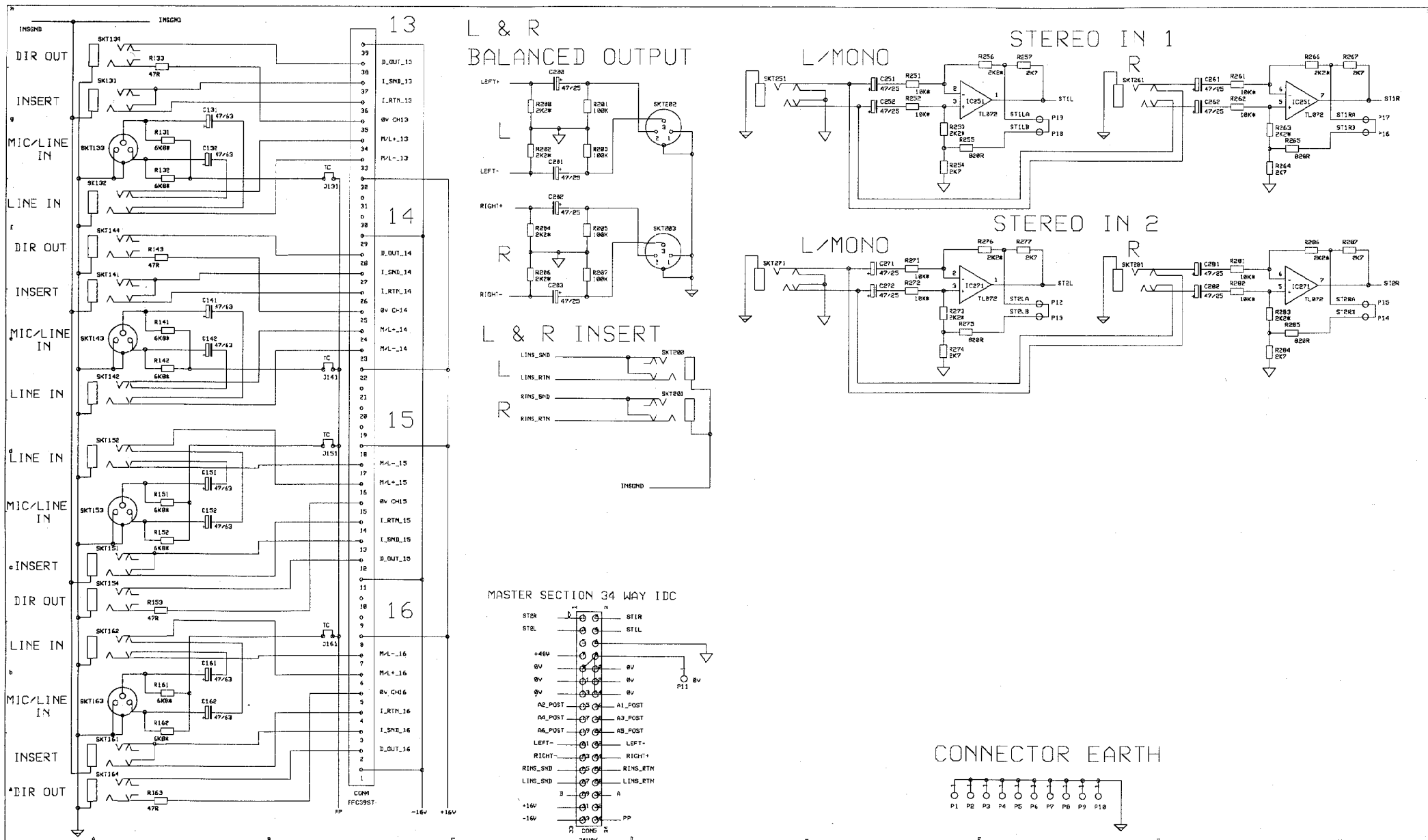




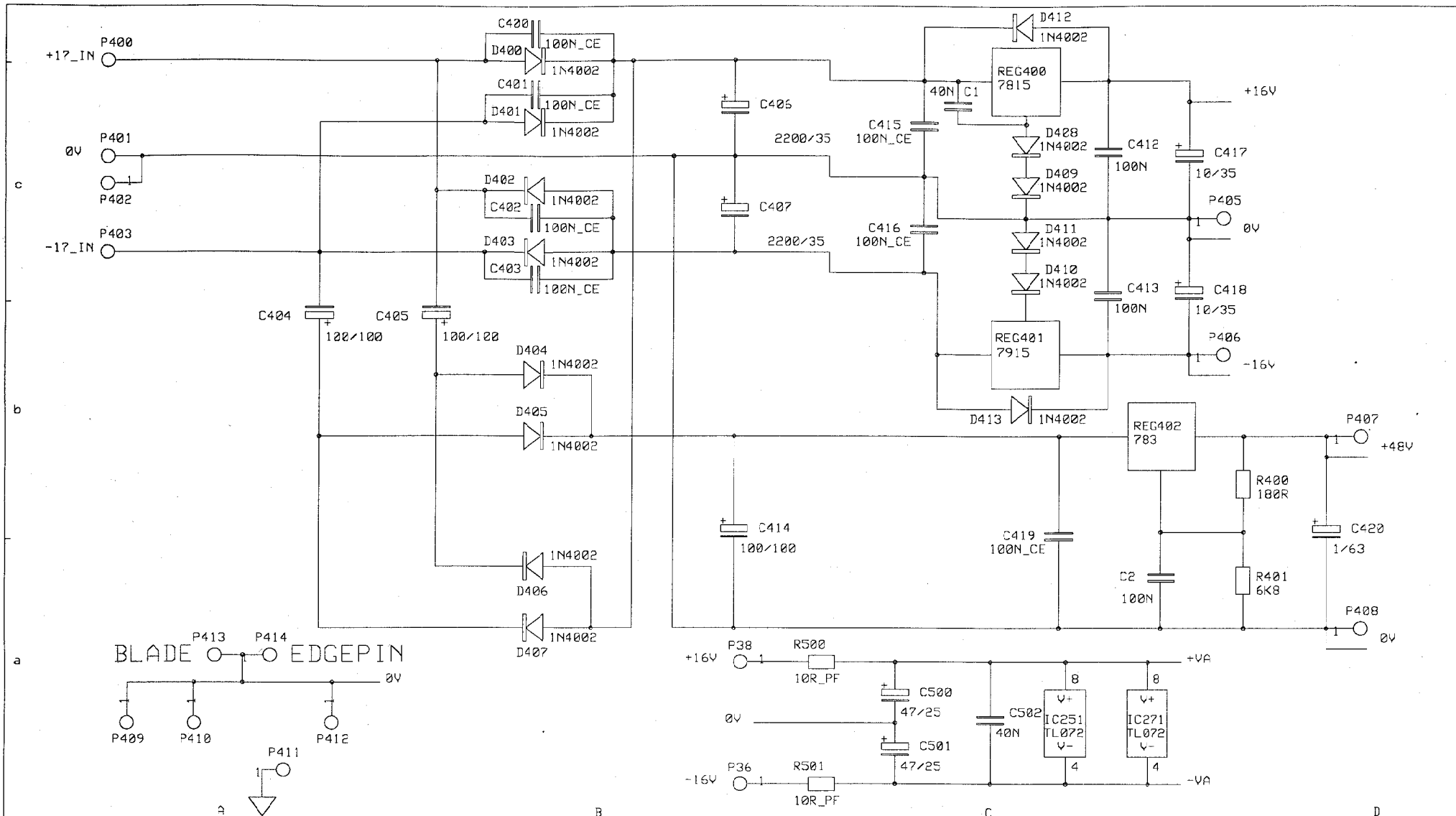


ISS.	REVISION	BY	DATE	NOTES	UNIT TITLE	MANUFACTURED IN ENGLAND BY	
A	ORIGIN	AAT	09-01-97	1. RESISTORS MARKED * ARE 1% ALL OTHERS ARE 5% 1/4W UNLESS OTHERWISE MARKED 2. ELECTROLYTIC CAPACITORS ARE µF-VOLTS	2E-M	ALLEN & HEATH	
B	EARTH+POWER MODS	AAT	11-02-97		DRAWING TITLE		PAGE 1 OF 4
C	IC AND SKT MODS	DWD	18/02/97		CONNECTOR PCB		
1	PRODUCTION	DRP	13/03/97		PCB TYPE AG2897	DRAWING No. C2897 ISSUE 1	

A2



ISS.	REVISION	BY DATE	NOTES	UNIT TITLE	MANUFACTURED IN ENGLAND BY
A	ORIGIN	AAI 09/01/97	1. RESISTORS MARKED * ARE 1% ALL OTHERS ARE 5% 1/4W UNLESS OTHERWISE MARKED	2E-M	ALLEN & HEATH
B	EARTH+POWER MODS	AAI 11/02/97		DRAWING TITLE	
C	IC AND SKT MODS	DWD 18/02/97	2. ELECTROLYTIC CAPACITORS ARE 10% VOLTS	CONNECTOR PCB	PAGE 2 OF 4
I	PRODUCTION	DRP 13/03/97		PCB TYPE AG2897	DRAWING No. C2897 ISSUE 1



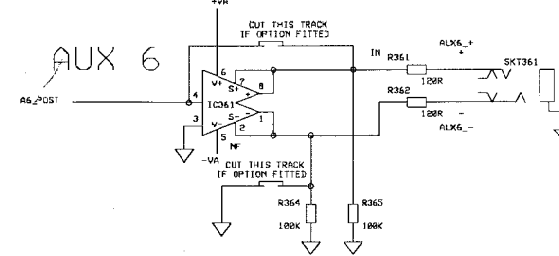
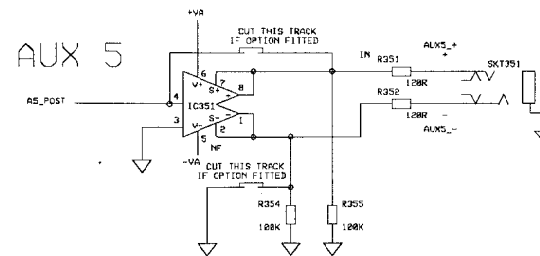
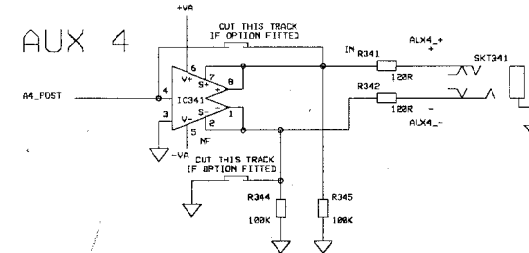
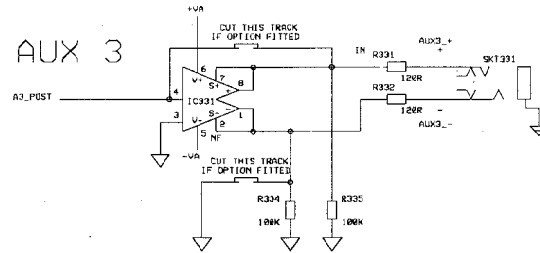
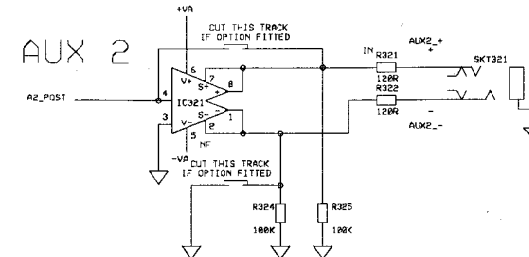
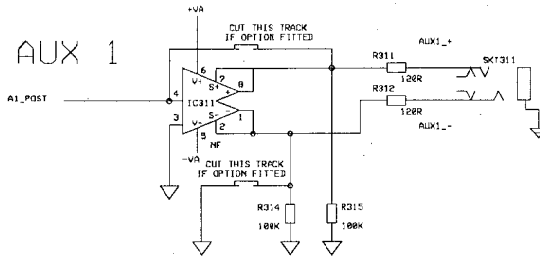
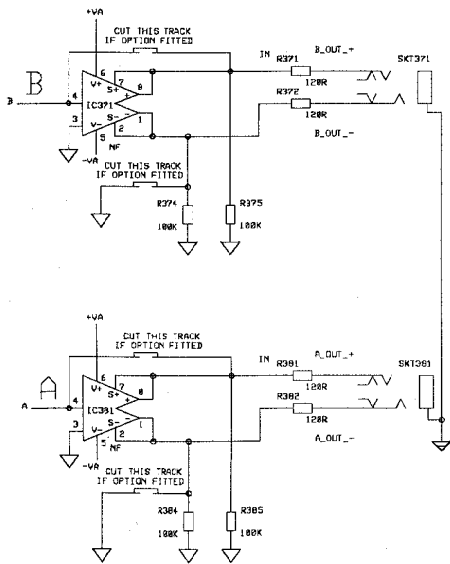
ISS.	REVISION	BY	DATE	NOTES	UNIT TITLE	MANUFACTURED IN ENGLAND BY	
A	ORIGIN	AAT	09-01-97	1. RESISTORS MARKED * ARE 1% ALL OTHERS ARE 5% 1/4W UNLESS OTHERWISE MARKED	2E-M	ALLEN & HEATH	
B	EARTH+PWR MODS	AAT	11-02-97				
C	IC AND SKT MODS	DWD	18-02-97	2. ELECTROLYTIC CAPACITORS ARE µF/VOLTS	PAGE 3 OF 4	DRAWING No. C2897 ISSUE 2	
1	PRODUCTION	DRP	13/03/97		DRAWING TITLE		A4
2	PHANTOM PWR MOD	DWD	14-04-97		CONNECTOR PCB		
					PCB TYPE AC2897		

AUX OUT 1-6

BALANCED OUTPUT OPTION.  
FOR BALANCED OPTION FIT SSM2142  
INTO POSITIONS IC311, 321, 331, 341,  
351, 361, 371 AND 381.

NOTE: CUT TRACK AS NOTED IN 16  
POSITIONS

A & B OUT



ISS.	REVISION	BY	DATE	NOTES	UNIT TITLE	MANUFACTURED IN ENGLAND BY
A	ORIGIN	AAT	09-01-97	1. RESISTORS MARKED * ARE 1% ALL OTHERS ARE 5% 1/4W UNLESS OTHERWISE MARKED	2E-M	ALLEN & HEATH
B	EARTH + POWER MODS	AAT	11-02-97		PAGE 4 OF 4	
C	IC AND SKT MODS	DWD	18/02/97	2. ELECTROLYTIC CAPACITORS ARE µF-VOLTS	DRAWING TITLE	DRAWING No. C2897 ISSUE 1
1	PRODUCTION	DRP	13/03/97		CONNECTOR PCB	